

Rickman

PART CHANGES

The following parts have been altered since the book has been printed:

PAGE	FIG	OLD NUMBER	PART NUMBER	ITEM	M X	S D	PER M/C
3	1		R008 05 503	Tank brace	•	•	1
3	4	R008 00 006	R008 05 106	Fibre washer	•	•	1
3	13	R008 05 054	R008 05 154	Rear licence plate bracket		•	1
3	33	R040 05 346	R040 00 346	Spacer hi level fender	•	•	4
6	15	R013 00 090	R018 00 090	Security bolt	•	•	1
9	10	R071 03 055	R071 05 025	Circlip	•	•	1
11	1	R066 05 066	R066 05 006	Cylinder head	•	•	1
12	31	R058 05 086	R058 05 086	Needle jet 2.73	•	•	1
15	19	R024 05 088	R025 03 007	Stop light switch		•	1

R 125 MX and SD SPARES LIST

PART NO R125M9

FRAME NO FROM 7971

COLOUR RED

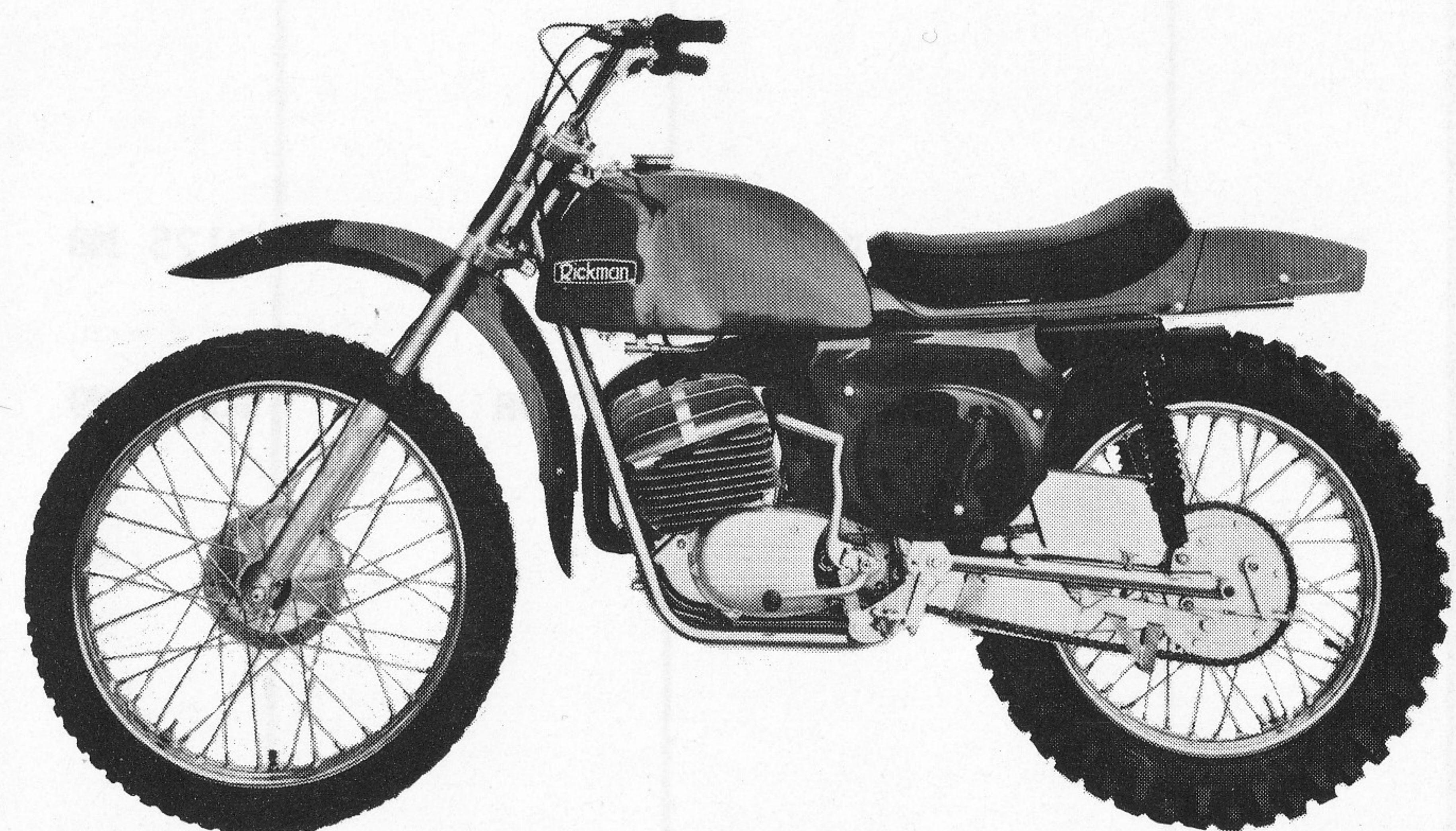
ENGINE LJ-MX : LM-SD.

INDEX OF PARTS LIST

BODYWORK	3
CARBURETTOR	12
CLUTCH	10
CONTROLS	4
CRANKCASE	8
CRANKSHAFT	11
CYLINDER	11
ELECTRICAL INSTALLATION	15
EXHAUST SYSTEM	14
FRAME	1
FRONT WHEEL	6
FRONT SUSPENSION	5
GEAR BOX	11
GEAR CHANGE	9
HANDLEBARS	4
IGNITION	13
KICKSTART	9
REAR SUSPENSION	2
REAR WHEEL	7
SPECIAL TOOLS	14
SWINGING ARM	2



R 125 SDE



R125 MX

R 125 MX

FRAME		ENGINE	FORKS	SPARE PART LIST NO	MODEL CHANGES - IDENTIFICATION
from	to				
101	1266	ZUNDAPP or HODAKA	CERIANI	NOT AVAILABLE	Kit form - Steens. $\frac{7}{8}$ Frame. B/B st. hd.
1370	1722	LI ZUNDAPP	MP 600	NOT AVAILABLE	Frame $\frac{7}{8}$ " tube. Taper roller st. hd.
1723	2223	LI ZUNDAPP	MP 600	NOT AVAILABLE	New 1" frame.
2224	2778	LI ZUNDAPP	MP 675	NOT AVAILABLE	Heavier duty forks fitted.
2779	3559	LB/LD ZUNDAPP	BETOR	R125 M5	Cylinder barrels milled - Head fins milled.
3600	6013	LB/LD ZUNDAPP	BETOR	R125 M6	Modified frame - rear suspension altered - down tube modification. Cylinder head fins only milled.
6013	6968	LB/LD ZUNDAPP	BETOR	R125 ME7	Model change for 1973 - Re-designed bodywork. New frame including stoneguard, 27mm carb., raised compression ratio. 19HP engines. LB/LD to LH specification. Crossover brake lever fitted. Parts books amalgamated - one for all 125cc.
7041	7970	LH ZUNDAPP	BETOR	R125 M8	LH engine fitted - pointless ignition with engine changes.
7971		LJ ZUNDAPP	BETOR	R125 M9	LH engine fitted - new crankshaft - different cylinder porting. Modified rear hub with wider sprocket flange.

R125 SD

FRAME		ENGINE	FORKS	SPARE PART LIST NO	MODEL CHANGES - IDENTIFICATION
from	to				
2415	2999	LI 13 HP ZUNDAPP	MP 600	R125 E1	1" Frame with taper roller bearings - Dual seat - Trials bars. Finished in Blue. Originally called R125 Enduro.
3000	3599	LB/LD ZUNDAPP	BETOR	R125 E2	1" Frame with taper roller bearings - Dual seat - Trials bars. Finished in Blue. Originally called R125 Enduro.
3600	6013	LB/LD 15 HP ZUNDAPP	BETOR	R125 E3	Renamed Enduro special 1972 model. Single seat, new tail. Modified frame, loom electrics, Blue.
6014	7970	LB/LD 19 HP ZUNDAPP	BETOR	R125 ME7	Model change for 1973. Renamed Six Day Enduro. De-designed bodywork. New frame including stoneguard. 27mm Carb. 19 HP engine. Crossover brake lever fitted. Finished in Red. Parts books amalgamated - One for all 125cc.
7971		LM ZUNDAPP	BETOR	R125 M9	LM engine fitted - Pointless ignition - Minor engine changes. Turn signals fitted, modified rear hub with wider sprocket flange.

Mr DEALER

Do not be confused by the different Zundapp engine series that are being fitted into the 1973 Moto-Cross and Six Day machines. Basically, the LH, LJ and LM series are virtually identical to the LD Series fitted into the 1972 machines. In order to help you stock the new parts, so that you do not duplicate orders, we have drawn up a list of major parts that are new to each engine. The items shown as complete are as units and are comprised of other new parts - check list for detail. The gearbox ratios used in LH, LJ and LM engines are the same as the LD Series engine.

LH		LJ		LM	
PART NO	ITEM	PART NO	ITEM	PART NO	ITEM
R023 05 003	Electronic ignition comp.	R023 05 003	Electronic ignition comp.	R023 05 0031	Electronic ignition comp.
R023 05 106	Armature plate	R023 05 106	Armature plate	R023 05 1061	Armature plate
R058 05 004	27mm Carb. complete	R058 05 0041	27mm Carb. complete	R058 05 0041	27mm Carb. complete
R066 05 005	Cylinder head	R066 05 006	Cylinder head	R066 05 006	Cylinder head
R066 05 210	Exhaust flange	R066 05 079	Carb. mounting rubber	R066 05 079	Carb. mounting rubber
R066 05 254	Cylinder	R066 05 080	Mounting rubber clip	R066 05 080	Mounting rubber clip
R066 05 3551/4	Piston	R066 05 210	Exhaust flange	R066 05 293	Inlet manifold
R066 05 365	Piston ring	R066 05 254	Cylinder	R066 05 310	Exhaust flange
R067 05 302	Crankshaft	R066 05 293	Inlet manifold	R066 05 354	Cylinder
R068 05 501	Crankcase half LH	R066 05 3551/4	Piston	R066 05 3551/4	Piston
R071 05 301	Kickstart lever comp.	R066 05 365	Piston ring	R066 05 365	Piston ring
		R067 05 302	Crankshaft LH	R067 05 402	Crankshaft
		R068 05 501	Crankcase	R068 05 501	Crankcase LH
		R069 05 068	Thrust bearing	R069 05 068	Thrust bearing
		R069 05 119	Guide bolt	R069 05 119	Guide bolt
		R069 05 124	Clutch friction plate	R069 05 124	Clutch friction plate
		R069 05 143	Retaining plate	R069 05 143	Retaining plate
		R069 05 157	Thrust plate	R069 05 157	Thrust plate
		R069 05 161/3	Shim washer	R069 05 161/3	Shim washer
		R069 05 167	Clutch thrust pin	R069 05 167	Clutch thrust pin
		R069 05 201	Clutch body and pinion	R069 05 201	Clutch body and pinion
		R071 05 268	Gearchange shaft comp.	R071 05 268	Gearchange shaft comp.
				R071 05 401	Kickstart lever comp.

SPECIFICATION

DETAIL	MOTO CROSS	SIX DAY	DETAIL	MOTO CROSS	SIX DAY
<u>ENGINE</u>			<u>TORQUE SETTING</u>		
No. of cylinder	1	1	Cylinder head	13-14.5 ft/lbs.	13-14.5 ft/lbs.
Cycle	2 stroke	2 stroke	Primary drive		
Bore	54 mm	54 mm	pinion (LH thread)	13-14.5 ft/lbs.	13-14.5 ft/lbs.
Stroke	54 mm	54 mm	Clutch drum nut	21.7-23.8 ft/lbs.	21.7-23.8 ft/lbs.
Displacement	123 cc	123 cc	Ignition flywheel	25.5-29.0 ft/lbs.	25.5-29.0 ft/lbs.
Compression ratio	13:1	11:1	<u>IGNITION - POINTLESS</u>		
<u>CARBURETTOR</u>			<u>FRONT SUSPENSION</u>		
Make	Bing	Bing	Type	Bosch Electronic	Bosch Electronic
Type	1/27	1/27	Spark plug	Champion L78 or equivalent	Champion L78 or equivalent
Diameter	27 mm	27 mm	Electrode gap	0.4 mm .016"	0.4 mm .016"
Main jet	125	125	Ign. timing B.T.D.C.	1.4 mm B.T.D.C. static	1.4 mm B.T.D.C. static
Needle jet	2.73	2.73	<u>REAR SUSPENSION</u>		
Idle jet	30	30	Type	Telescopic	Telescopic
Needle	No. 4	No. 4	Damping	Hydraulic	Hydraulic
Needle setting	2	1	Travel	6" movement	6" movement
Mixture screw	1½ turns	1½ turns	oil and capacity	SAE 50 180cc	SAE 50 180cc
<u>TRANSMISSION</u>			<u>WHEELS AND TYRES</u>		
Primary drive	Gear	Gear	Type	Swinging arm	Swinging arm
Secondary chain	½" x 5/16"	½" x 5/16"	Damping	Hydraulic	Hydraulic
Rear wheel sprocket	56T	56T	<u>GENERAL INFORMATION</u>		
Gear box sprocket	14T	15T	Fuel tank	Steel	Steel
Clutch	Multiple disc in oil	Multiple disc in oil	Capacity	2.0 U.S. Gall.	2.0 U.S. Gall.
<u>GEARBOX</u>			Wheelbase	53"	53"
5 speed	Constant Mesh	Constant Mesh	Ground clearance	10"	10"
Oil and capacity	SAE 80 450cc	SAE 80 450cc	Footrest height	12"	12"
Gearbox & Trans. ratio			Seat height	31½"	31½"
1st gear	1 : 3.40	1 : 3.40	Weight - dry	199 lb.	216 lb.
2nd gear	1 : 2.166	1 : 2.166	Colour	Rickman Red	Rickman Red
3rd gear	1 : 1.533	1 : 1.533			
4th gear	1 : 1.263	1 : 1.263			
5th gear	1 : 1.052	1 : 1.052			
Reduction ratio engine/gearbox	1 : 2.8	1 : 2.8			

FRAME

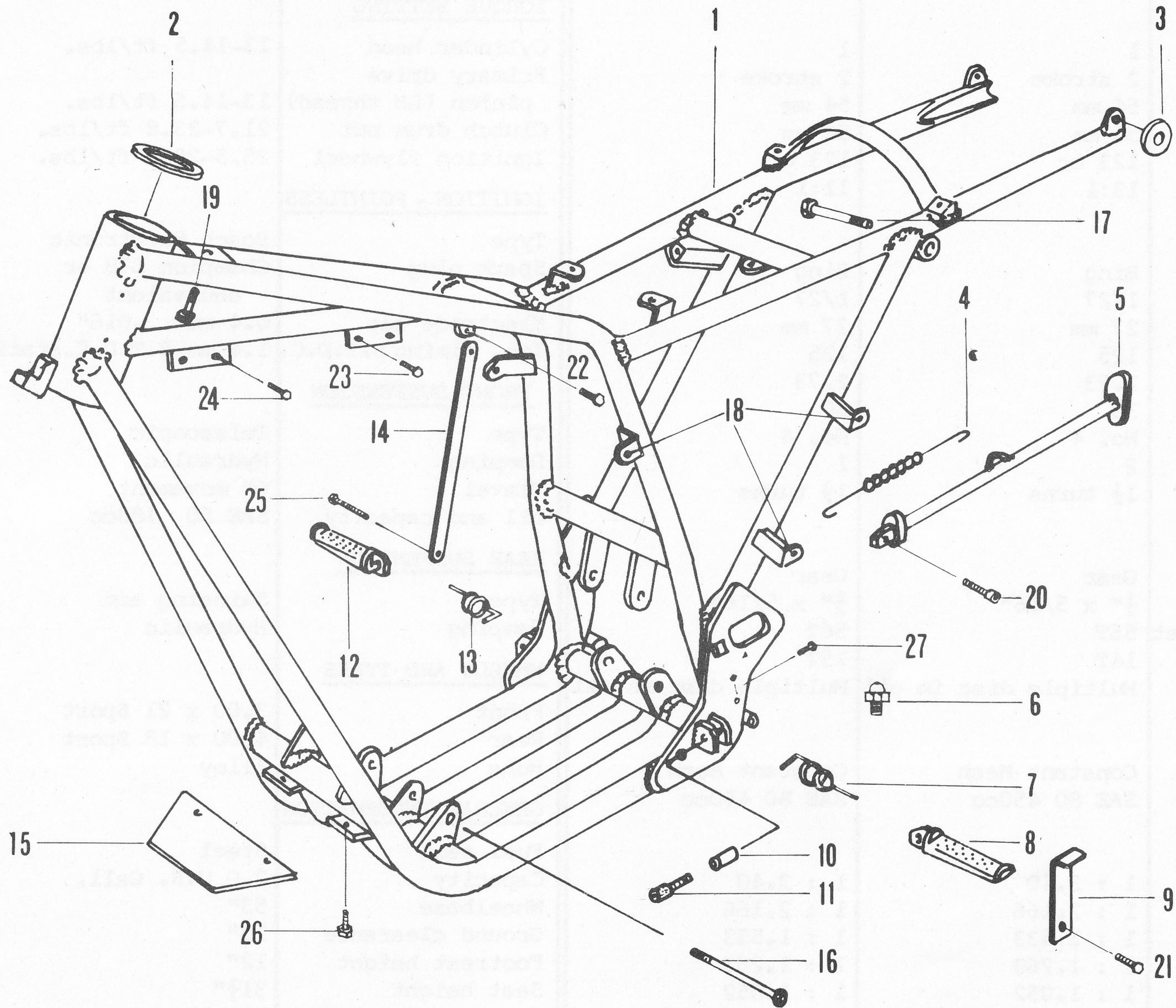


ILLUSTRATION I

FRAME

FIG	PART NO	ITEM	M X	S D	PER MC
1	R001 05 205	Frame MX	●		1
1	R001 05 206	Frame SD		●	1
2	R012 05 007	Bearing spacer ring	●	●	2
3	R008 00 019	Rubber washer	●	●	2
4	R001 05 082	Prop stand spring	●	●	1
5	R001 05 180	Prop stand	●	●	1
6	R001 05 125	Grease nipple (Crossover brake shaft)	●	●	1
7	R001 05 059	Footrest return spring LH	●	●	1
8	R001 05 061	Footrest LH	●	●	1
9	R001 05 030	Gearlever stop	●	●	1
10	R040 00 351	Footrest spring spacer	●	●	2
11	R155 00 029	Fastener footrest	●	●	2
12	R001 05 062	Footrest RH	●	●	1
13	R001 05 060	Footrest return spring RH	●	●	1
14	R007 05 071	Torque stay	●	●	1
15	R001 05 040	Mudshield	●	●	1
16	R155 00 035	Engine bolt assembly	●	●	1
16	R155 00 039	Engine bolt assembly	●	●	3
17	R155 05 091	Fastener top rear damper	●	●	2
18	R155 05 095	Fastener air box upper	●	●	2
18	R155 05 103	Fastener air box lower	●	●	2
19	R155 05 099	Fastener fuel tank	●	●	1
20	R051 05 035	Fastener side stand	●	●	1

FIG	PART NO	ITEM	M X	S D	PER MC
21	R155 00 021	Fastener gear lever stop	●	●	1
22	R155 00 003	Fastener torque stay top	●	●	1
23	R155 05 098	Fastener coil mounting	●	●	2
24	R155 00 003	Fastener horn		●	2
25	R155 00 049	Fastener torque stay lower	●	●	1
26	R155 00 001	Fastener mudshield	●	●	2
27	R155 05 102	Fastener stop light switch		●	2

SWINGING ARM

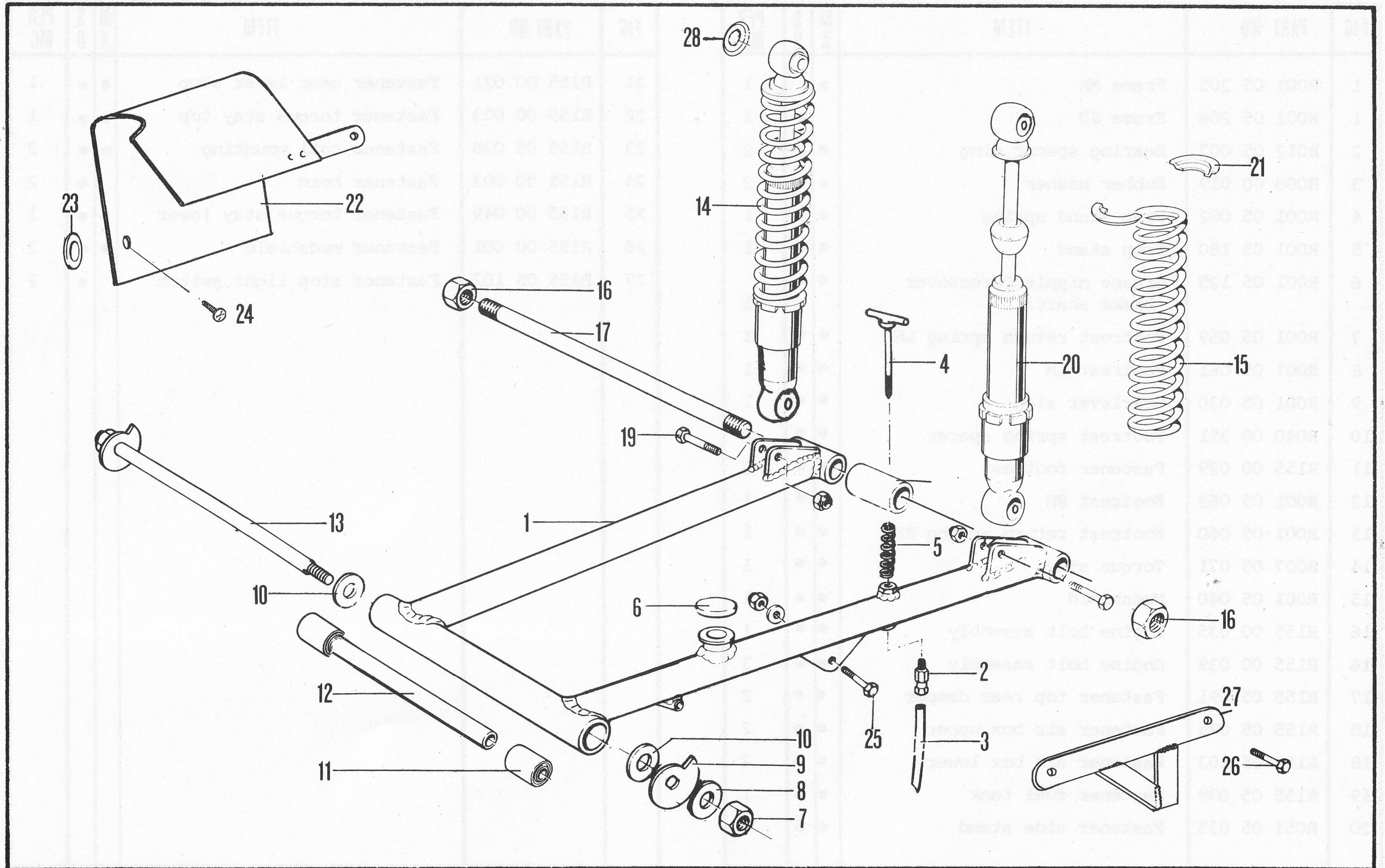


ILLUSTRATION 2

SWINGING ARM

FIG	PART NO	ITEM	M X	S D	PER MC
1	R002 05 102	Swinging arm (inc 11 & 12)	●		1
1	R002 06 003	Swinging arm (inc 11 & 12)		●	1
2	R002 05 043	Jet	●	●	1
3	R002 05 044	Chain oiler pipe	●	●	1
4	R002 05 041	Metering screw	●	●	1
5	R002 05 042	Metering screw spring	●	●	1
6	R002 05 040	Oil filler cap	●	●	1
7	R153 08	Nut swinging arm spindle UNF	●	●	1
8	R250 08	Washer	●	●	1
9	R002 06 008	Snail cam	●	●	1
10	R040 00 502	Spacer swinging arm	●	●	2
11	R002 05 022	Torsional rubber bush	●	●	2
12	R002 05 122	Torsional rubber bush with spacer	●	●	1
13	R002 06 106	Spindle with cam	●	●	1
14	R002 06 030	Damper unit	●	●	2
15	R002 05 031	Damper spring	●	●	2
16	R150 09	Nut rear axle	●	●	2
17	R030 00 1351	Rear axle	●	●	1
18	R040 00 341	Spacer rear axle		●	1
18	R040 00 320	Spacer rear axle	●		1
18	R040 00 328	Spacer outer speedo drive - SD only	●		1

FIG	PART NO	ITEM	M X	S D	PER MC
18	R040 00 330	Spacer inner speedo drive - SD only	●		1
19	R155 00 069	Fastener rear damper lower	●	●	2
20	R002 06 036	Rear shock - bare	●	●	2
21	R002 05 037	Collar spring retaining	●	●	4
22	R008 05 155	Chainguard	●		1
22	R008 06 055	Chainguard		●	1
23	R040 00 504	Washer chainguard	●	●	2
24	R155 05 101	Fastener chainguard	●	●	1
25	R155 00 063	Fastener front chainguide	●	●	1
26	R155 05 093	Fastener chainguide/brake	●	●	1
27	R002 05 126	Chainguide/brake anchor	●	●	1
28	R040 00 5051	Bevelled washer	●	●	4

BODYWORK

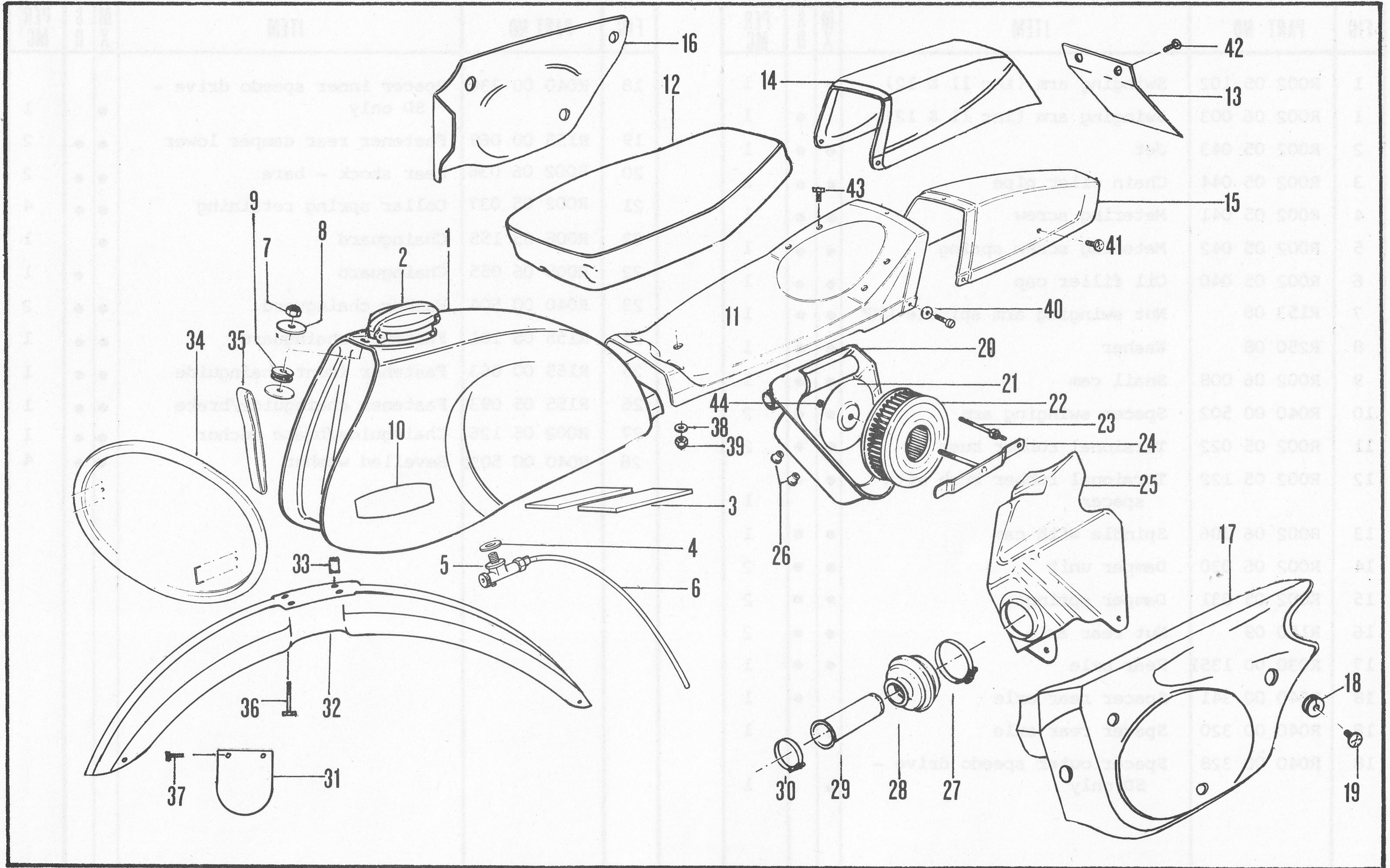


ILLUSTRATION 3

BODYWORK

FIG	PART NO	ITEM	M X	S D	PER MC
1	R008 05 507	Fuel tank Steel Red	•	•	1
		Tank brace	•	•	1
	R155 05 087	Brace fastener	•	•	2
2	R008 05 008	Filler cap	•	•	1
3	R008 05 009	Tank mounting rubber	•	•	6
4	R008 00 006	Fibre washer	•	•	1
5	R008 05 004	Fuel tap	•	•	1
6	R008 05 167	Fuel line	•	•	1
7	R151 25	Nut tank fixing	•	•	1
8	R040 05 103	Washer tank fixing	•	•	2
9	R008 00 002	Grommet tank fixing	•	•	2
10	R008 00 107	Decal	•	•	2
11	R008 05 111	Centre section Red	•	•	1
12	R008 05 012	Seat	•	•	1
12	R008 05 112	Seat with tool compartment	•	•	1
	R008 05 114	Seat cover	•	•	1
	R008 05 115	Seat cover with tool compartment	•	•	1
13	R008 05 054	Rear licence plate bracket	•	•	1
14	R008 05 216	Tail S.D. Red	•	•	1
15	R008 05 316	Tail M.X. Red	•	•	1
16	R008 05 226	Side panel RH Red	•	•	1
17	R008 05 228	Side panel LH Red	•	•	1
17	R008 05 227	Side panel LH Red	•	•	1
18	R008 05 030	Grommet	•	•	6
19	R051 54 020	Screw side panel	•	•	6
20	R008 05 085	Filter cover	•	•	1
21	R008 00 018	Retaining disc	•	•	1
22	R008 00 021	Air filter element	•	•	1
23	R008 05 088	Side panel stud	•	•	1
24	R008 05 087	Filter retaining bracket	•	•	1
25	R008 05 083	Filter box	•	•	1
25	R008 05 084	Filter box (including battery comp)	•	•	1

FIG	PART NO	ITEM	M X	S D	PER MC
26	R008 00 062	Sleeve screws	•	•	2
27	R008 05 090	Outlet bellows clamp ring	•	•	1
28	R008 05 089	Outlet bellows	•	•	1
29	R058 05 070	Intake tube	•	•	1
30	R058 05 071	Intake tube clamp ring	•	•	1
31	R008 05 134	Mudflap	•	•	2
32	R008 05 1311	Front fender hi level	•	•	1
33	R040 05 346	Spacer hi level fender	•	•	4
34	R008 00 027	Front number board	•	•	1
35	R055 00 029	Fixings front number board	•	•	1
36	R155 05 086	Fastener hi level fender	•	•	4
37	R155 05 094	Fastener mudflap	•	•	4
38	R251 04	Washer seat retaining	•	•	3
39	R151 24	Nut seat retaining	•	•	3
40	R155 05 094	Fastener tail to centre section	•	•	3
41	R155 05 095	Fastener tail to frame	•	•	2
	R008 00 019	Rubber washer	•	•	2
42	R155 00 001	Fastener licence plate to tail	•	•	2
43	R051 04 012	Bolt centre section to frame	•	•	4
	R251 04	Washer centre section to frame	•	•	4
44	R151 24	Nut retaining air filter	•	•	1
Not ill.	R008 05 160	Battery mounting rubber set	•	•	1
	R008 05 069	Battery retaining pad	•	•	1

CONTROLS

FIG	PART NO	ITEM	1250		PER MC
			125	0	
1	R010 05 0091	Throttle control QA	●	●	1
2	R010 05 019	Cable adjuster - Throttle	●	●	1
3	R010 05 004	Lever - front brake complete	●	●	1
4	R010 05 014	Cable adjuster	●	●	2
5	R010 05 204	Lever blade - brake	●	●	1
5	R010 05 203	Lever blade - clutch	●	●	1
6	R010 05 015	Lever body	●	●	2
7	R010 05 016	Clamp	●	●	2
8	R010 05 017	Clamp screw	●	●	2
9	R010 05 018	Blade pivot screw assembly	●	●	2
10	R010 05 003	Lever - clutch complete	●	●	1
11	R010 00 006	Handlebar MX	●	●	1
11	R010 00 0061	Handlebar SD with switch holes	●		1
12	R010 05 0121	Dummy grip	●	●	1
13	R001 05 122	Footbrake lever	●		1
14	R014 05 001	Brake arm	●		1
15	R151 05	Nut	●		1
16	R251 05	Washer	●		1
17	R001 06 222	Footbrake lever		●	1
18	R011 05 001	Throttle cable	●		1
18	R011 06 001	Throttle cable		●	1
19	R011 05 042	Front brake cable MX	●	●	1
19	R011 05 044	Front brake cable with switch S.D.	●		1

FIG	PART NO	ITEM	1250		PER MC
			125	0	
20	R011 05 023	Clutch cable	●		1
20	R011 06 122	Clutch cable		●	1
21	R011 05 161	Rear brake cable	●	●	1
22	R011 05 094	Clevis pin complete	●	●	1
23	R011 05 047	Lever cover LH	●	●	1
23	R011 05 046	Lever cover RH	●	●	1
24	R011 05 045	Throttle cable boot	●	●	1
25	R058 05 089	Carb. top rubber cover	●		1

CONTROLS

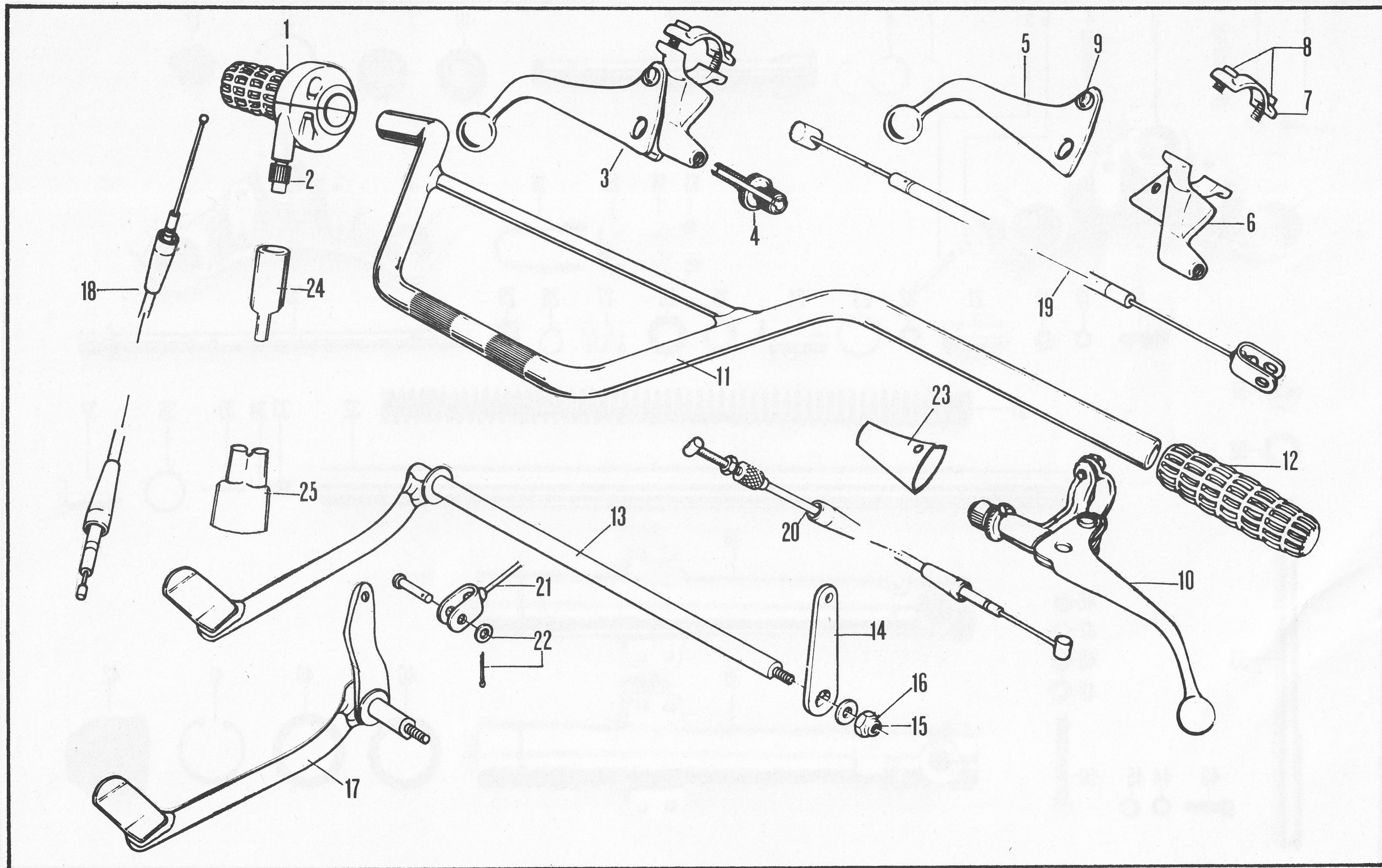


ILLUSTRATION 4

FRONT SUSPENSION

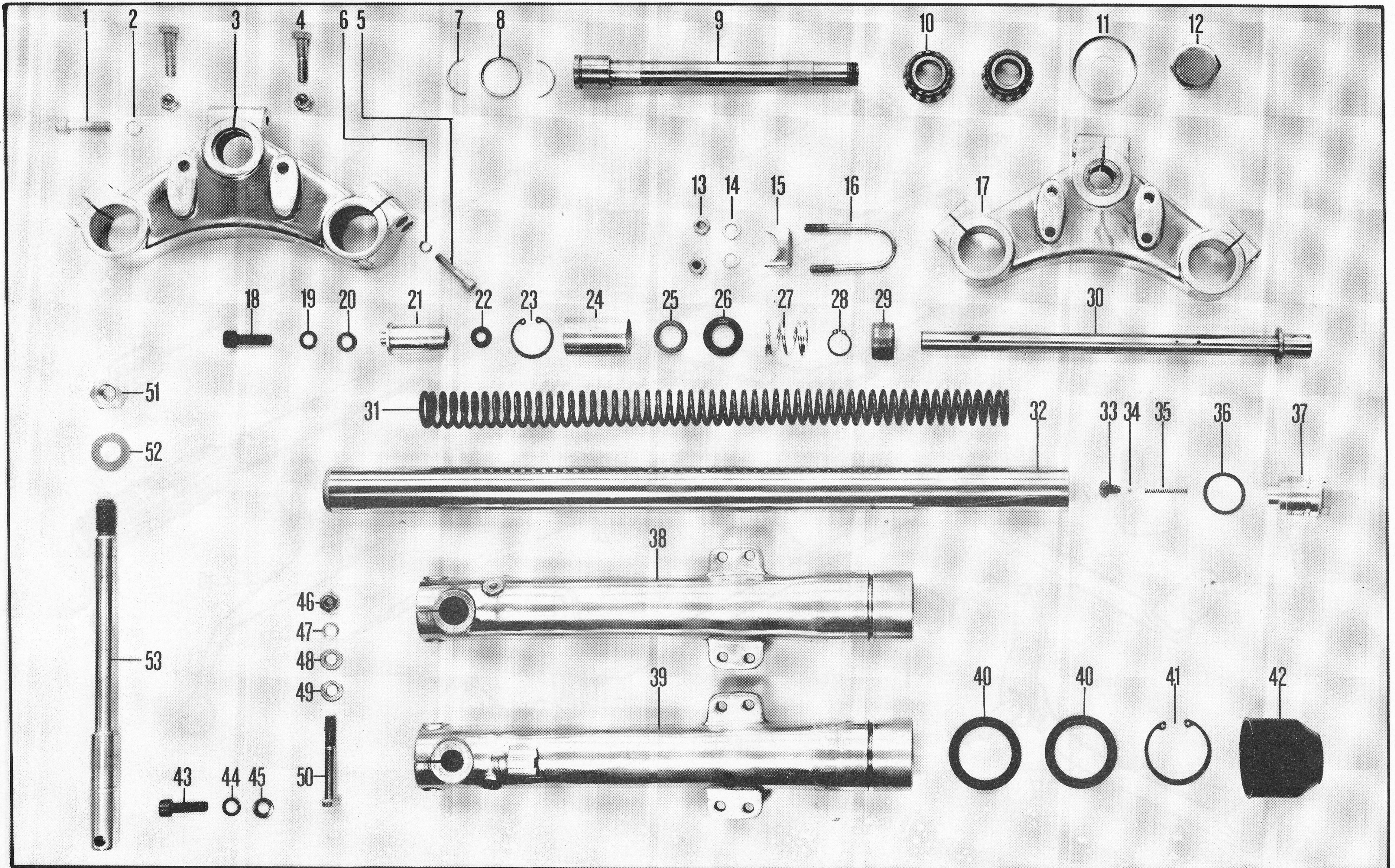


ILLUSTRATION 5

FRONT SUSPENSION

FIG	PART NO	ITEM	PER MC
	R012 05 199	Front fork assembly	1
1	R051 15 030	Socket screw	2
2	R251 15	Spring washer	2
3	R012 05 121	Bottom yoke	1
4	R155 05 085	Fastener - low fender	2
4	R155 05 086	Fastener - hi fender	4
5	R251 14	Spring washer	4
6	R051 14 030	Socket screw	4
7	R012 05 107	Circlip	2
8	R012 05 108	Circlip ring	1
9	R012 05 109	Steering head spindle	1
10	R012 05 008	Taper roller bearing	2
11	R012 05 015	Dust cover	1
12	R012 05 106	Nut steering spindle	1
13	R012 05 110	Nut	2
13A	R012 05 112	Nut	2
14	R012 05 111	Spring washer	4
15	R012 05 129	Handlebar clamp pad	2
16	R012 05 131	Handlebar clamp	2
16A	R012 05 133	Handlebar clamp assembly	2
17	R012 05 101	Top yoke	1
18	R013 05 171	Socket screw	2
19	R251 15	Spring washer	2
20	R251 05	Plain washer	2
21	R013 05 110	Taper bush, hydraulic lock	2
22	R013 05 111	Sealing ring	2
23	R013 05 112	Circlip	2
24	R013 05 119	Damper valve piston	2
25	R013 05 122	Damper valve washer	2
26	R013 05 133	Washer, rebound spring	2
27	R013 05 134	Rebound spring	2
28	R013 05 116	Circlip	2
29	R013 05 137	Rebound stop	2
30	R013 05 141	Damper rod	2

FIG	PART NO	ITEM	PER MC
31	R013 05 143	Fork spring	2
32	R013 05 148	Fork stanchion	2
33	R013 05 117	Breather valve screw	2
34	R013 05 120	Breather valve ball	2
35	R013 05 123	Breather valve spring	2
36	R013 05 160	Seal	2
37	R013 05 161	Fork top nut	2
37A	R013 05 163	Fork top nut complete	2
38	R013 05 175	Fork slider LH	1
39	R013 05 153	Fork slider RH	1
40	R013 05 169	Oil seal	4
41	R013 05 168	Circlip	2
42	R013 05 165	Wiper seal	2
43	R013 05 171	Socket screw	2
44	R251 15	Spring washer	2
45	R251 05	Plain washer	2
46	R151 05	Nut	2
47	R251 15	Spring washer	2
48	R251 05	Plain washer	2
49	R251 05	Plain washer	2
50	R051 05 060	Pinch bolt	2
51	R014 05 115	Nut, wheel axle	1
52	R014 05 116	Washer, wheel axle	1
53	R014 05 114	Axle	1
Not ill	R013 05 092	Headlamp bracket LH	1
Not ill	R013 05 094	Headlamp bracket RH	1
Not ill	R155 00 006	Fastener headlamp brackets	2

FRONT WHEEL ALL MACHINES

FIG	PART NO	ITEM	PER MC
1	R014 05 009	Front hub with bearings	1
2	R014 00 007	Circlip	2
3	R014 00 008	Bearing	2
4	R014 05 010	Bearing spacer	1
5	R014 05 0051	Cam assembly	1
6	R014 00 006	Brake shoes	2
7	R014 05 102	Brake plate bare	1
8	R014 00 004	Brake return spring	2
9	R014 05 0031	Pivot assembly	1
10	R014 05 001	Brake arm	1
11	R151 25	Nut - pivot and cam	2
12	R251 05	Washer - pivot and cam	2
13	R011 05 094	Clevis pin assembly	1
14	R014 05 196	Brake plate complete	1
15	R013 00 090	Security bolt	1
16	R019 05 017	Spoke assembly	20
17	R019 05 016	Spoke assembly	20
18	R019 00 100	Chrome rim WM1 x 21	1

ILLUSTRATION 6

FRONT WHEEL

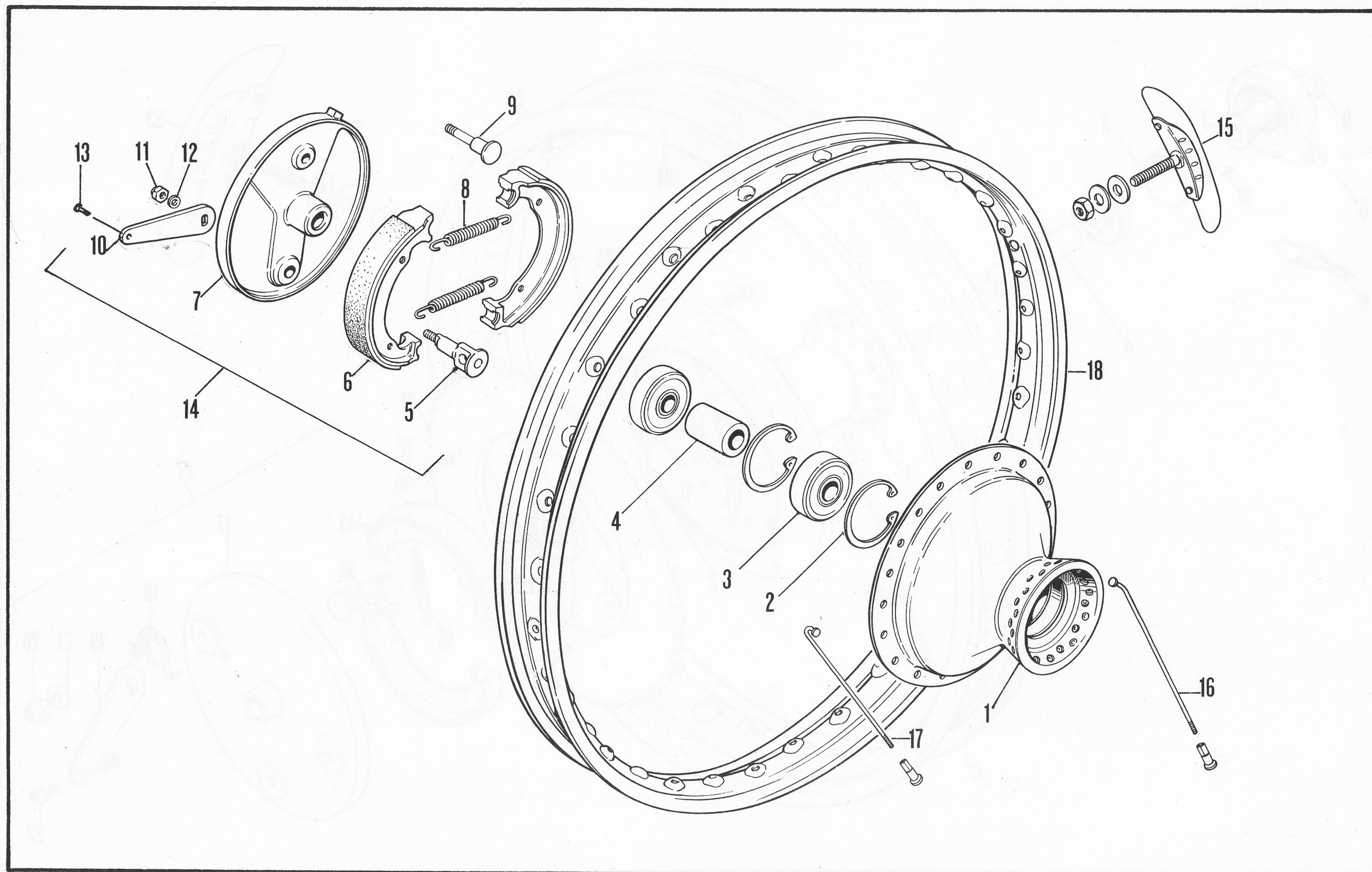


ILLUSTRATION 6

REAR WHEEL

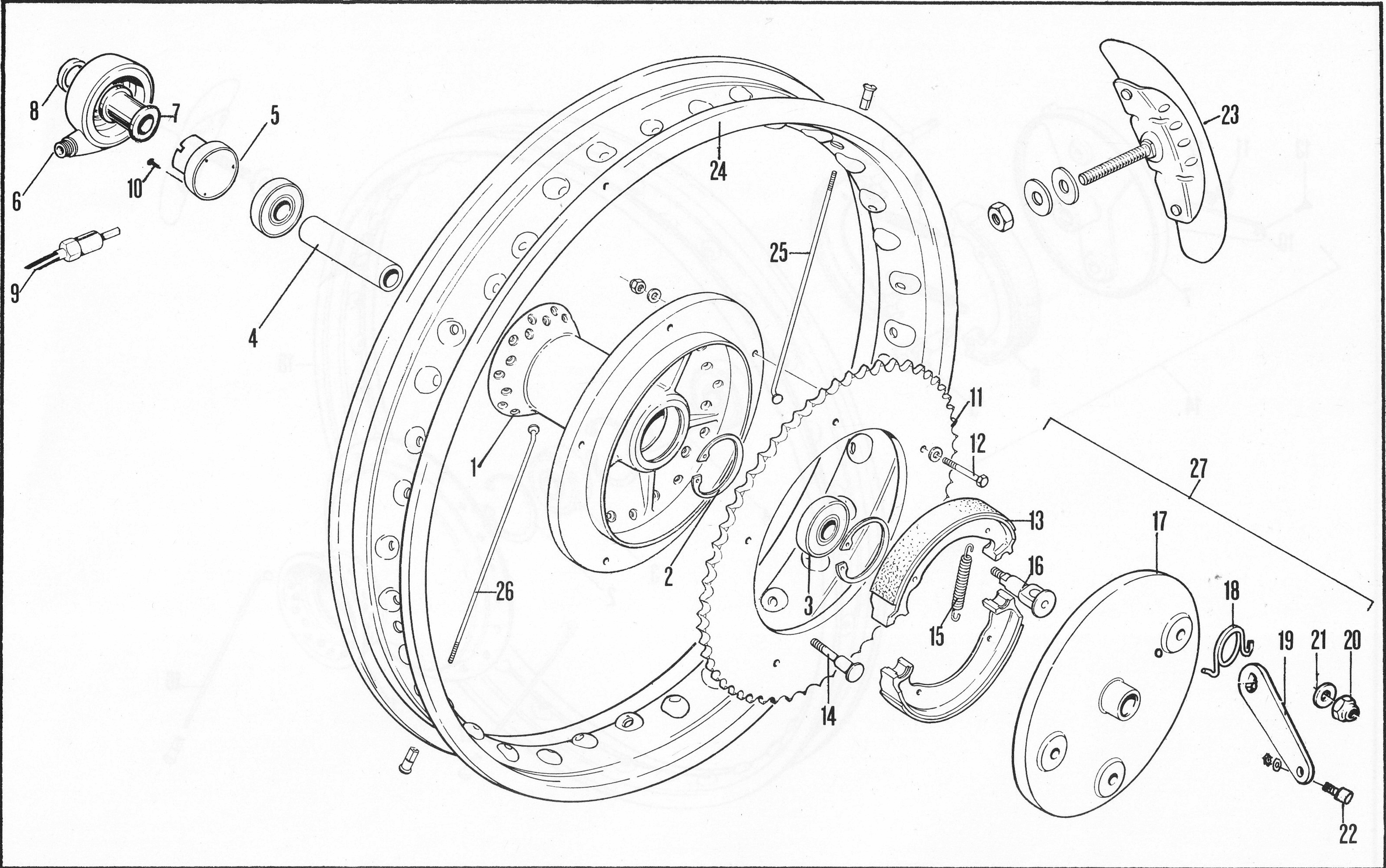


ILLUSTRATION 7

REAR WHEEL

FIG	PART NO		125 250			PER MC
			M	S	50	
1	R015 05 109	Rear hub with bearings *	●			1
1	R015 05 108	Rear hub with bearings *		●		1
1	R015 06 109	Rear hub with bearings *			●	1
2	R014 00 007	Circlip	●	●	●	2
3	R014 00 008	Bearing	●	●	●	2
4	R015 05 010	Bearing spacer	●	●		1
4	R015 06 010	Bearing spacer			●	1
5	R015 05 070	Speedometer drive		●		1
6	R022 05 011	Speedometer gearbox		●		1
7	R040 00 330	Spacer inner		●		1
8	R040 00 328	Spacer outer		●		1
9	R022 05 106	Speedometer cable		●		1
10	R015 05 074	Drive retaining screws		●		3
11	R021 05 0561	Sprocket 56T	●	●		1
11	R021 06 0561	Sprocket 56T			●	1
12	R155 05 085	Fastener rear sprocket	●	●	●	6
13	R014 00 006	Brake shoes	●	●	●	2
14	R014 05 0031	Pivot assembly	●	●	●	1
15	R014 00 004	Brake return spring	●	●	●	2
16	R014 05 0051	Cam assembly	●	●	●	1
17	R015 05 102	Brake plate - bare	●	●		1
17	R015 06 002	Brake plate - bare			●	1
18	R015 05 030	Brake arm return spring	●	●		1
18	R015 06 030	Brake arm return spring			●	1
19	R014 05 001	Brake arm	●	●		1
19	R001 06 124	Brake arm			●	1
20	R151 25	Nut - pivot - cam	●	●	●	2
21	R251 05	Washer - pivot - cam	●	●	●	2
22	R011 05 092	Swivel connector assembly	●	●	●	1
23	R018 00 092	Security bolt	●	●	●	1
24	R019 00 102	Chrome rim WM3x18	●	●	●	1
25	R019 05 029	Spoke assembly 9G	●	●		20
25	R019 06 030	Spoke assembly 9G			●	20

FIG	PART NO		125 250			PER MC
			M	S	50	
26	R019 05 028	Spoke assembly 9G	●	●	●	20
27	R015 05 196	Brake plate complete	●	●		1
27	R015 06 096	Brake plate complete			●	1
<p>* These are the latest hubs with 9 gauge spokes and 8mm sprocket holes. On early machines it will be necessary to drill out sprockets to 8mm and rebuild wheel with 9 gauge spoke assemblies. The wheel rim is interchangeable.</p>						

CRANKCASE

LEFT HAND

FIG	PART NO	ITEM	M X	S D	PER MC
1	R068 05 501	Crankcase LH	●	●	1
2	R068 05 132	Needle roller bearing	●	●	1
2	R068 05 133	Washer	●	●	1
3	R068 05 034	Oil filler cap	●	●	1
4	R068 05 229	Bearing bush	●	●	1
5	R068 05 081	Gearchange stop bolt	●	●	1
5	R068 05 028	Sealing washer	●	●	1
6	R068 05 138	Oil seal	●	●	1
7	R068 05 116	Oil seal	●	●	1
7A	R068 05 036	Gearbox bearing	●	●	1
8	R068 05 216	Oil seal crankshaft	●	●	1
8A	R068 05 103	Shim washer 0.05 mm	●	●	1
8A	R068 05 104	Shim washer 0.1 mm	●	●	Var
8A	R068 05 105	Shim washer 0.2 mm	●	●	Var
9	R068 05 024	Cylinder stud	●	●	4
10	R068 05 042	Crankcase bolt	●	●	2
11	R068 05 044	Crankcase bolt	●	●	1
12	R068 05 140	Rubber ring	●	●	1

RIGHT HAND

FIG	PART NO	ITEM	M X	S D	PER MC
13	R068 05 302	Crankcase RH	●	●	1
14	R068 05 115	Stud	●	●	1
15	R068 05 013	Bearing bush	●	●	1
16	R068 05 014	"Top hat" bearing bush	●	●	1
17	R068 05 516	Clamping sleeve	●	●	1
18	R068 05 018	Gearbox bearing inner	●	●	1
19	R068 05 019	Gearbox bearing outer	●	●	1
20	R068 05 416	Oil seal crankshaft	●	●	1
21	R068 05 028	Drain plug washer	●	●	1
22	R068 05 026	Oil drain plug	●	●	1
23	R068 05 022	Dowel bush	●	●	2
24	R068 05 058	Gasket	●	●	1

CRANKCASE

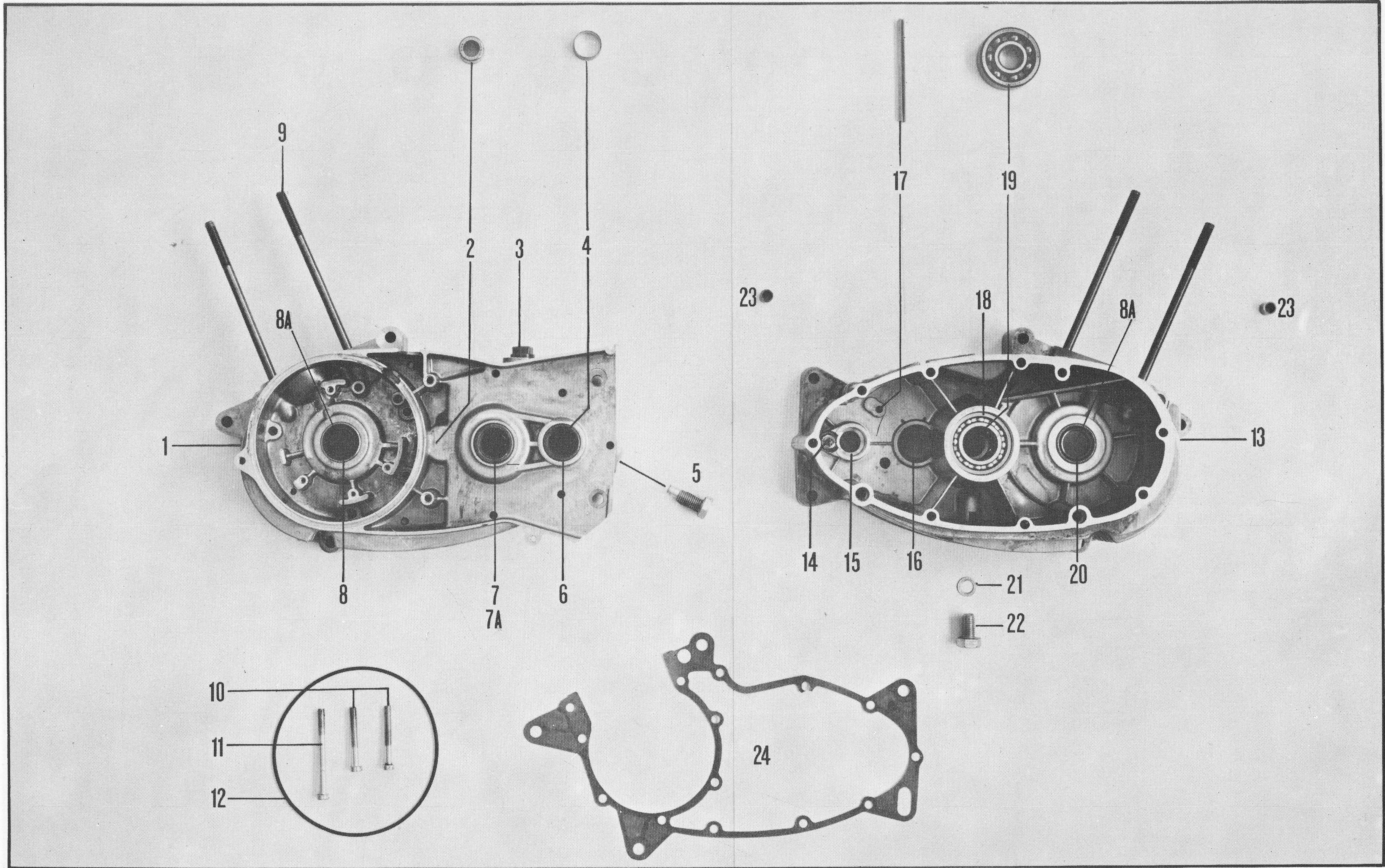


ILLUSTRATION 8

KICKSTART & GEARCHANGE

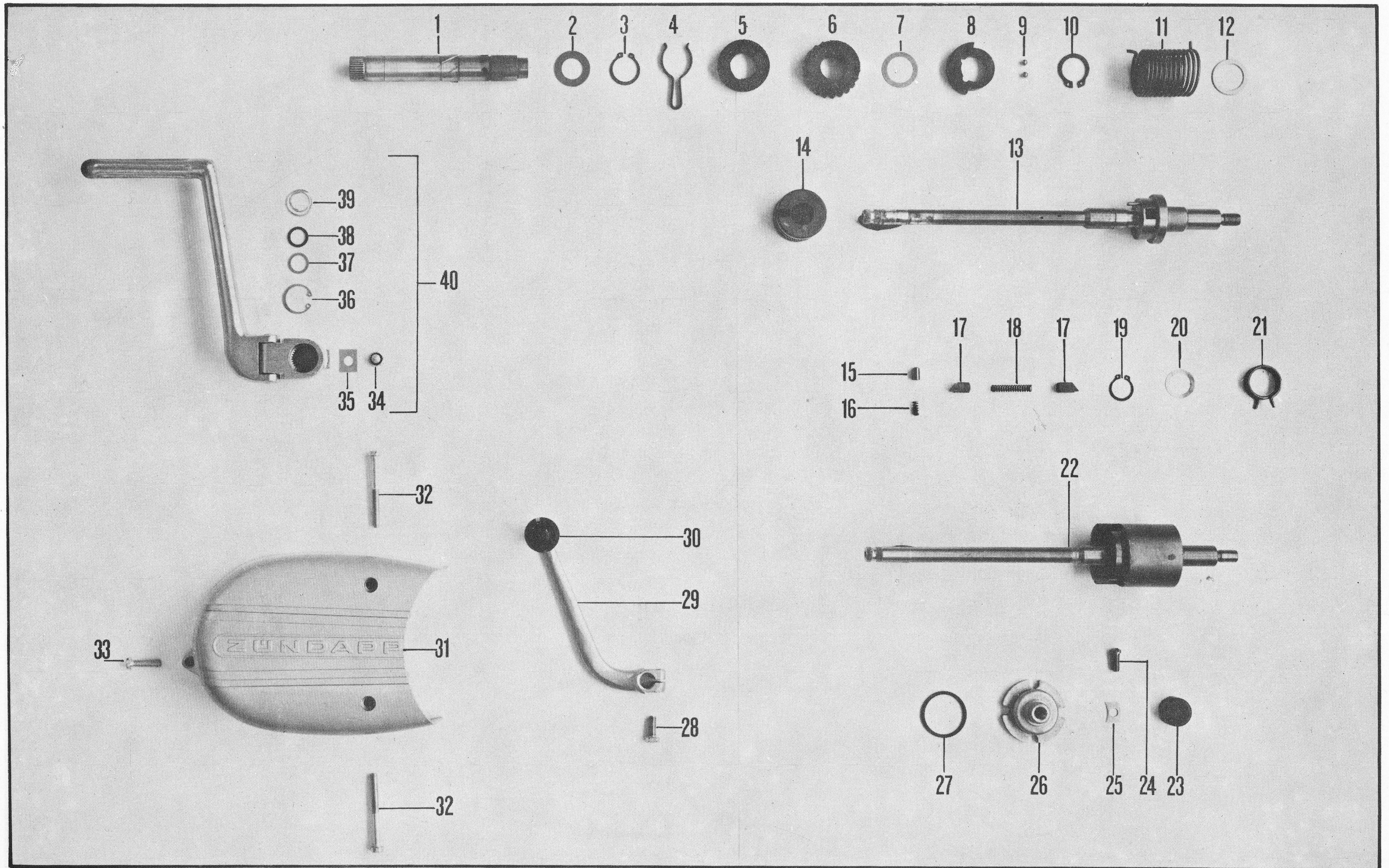


ILLUSTRATION 9

KICKSTART & GEARCHANGE

FIG	PART NO	ITEM	M X	S D	PER MC
1	R068 05 121	Kickstart spindle	●	●	1
2	R071 05 043	Shim washer 0.2 mm	●	●	Var
2	R071 05 042	Shim washer 0.3 mm	●	●	Var
3	R071 05 027	Circlip	●	●	1
4	R071 05 028	Ratchet spring	●	●	1
5	R071 05 139	Kickstart ratchet	●	●	1
6	R071 05 041	Ratchet pinion	●	●	1
7	R071 05 047	Shim washer 1.0 mm	●	●	2
7	R071 05 049	Shim washer 0.1 mm	●	●	Var
7	R071 05 051	Shim washer 0.5 mm	●	●	Var
7	R071 05 044	Shim washer 0.2 mm	●	●	Var
8	R071 05 055	Kickstarter buffer plate	●	●	1
9	R071 05 056	Ball	●	●	2
10	R071 05 055	Circlip	●	●	1
11	R071 05 054	Kickstart return spring	●	●	1
12	R071 05 045	Washer	●	●	1
13	R071 05 266	Gearchange shaft - bare	●	●	1
14	R071 05 175	Pawl guide rail	●	●	1
15	R071 05 070	Plunger	●	●	1
16	R071 05 072	Spring	●	●	1
17	R071 05 176	Pawl	●	●	2
18	R071 05 078	Pawl spring	●	●	1
19	R071 05 084	Circlip	●	●	1

FIG	PART NO	ITEM	M X	S D	PER MC
20	R071 05 082	Washer 0.1 mm	●	●	Var
21	R071 05 080	Return spring	●	●	1
22	R071 05 268	Gearchange shaft complete	●	●	1
23	R071 05 094	Rubber cap	●	●	1
24	R071 05 092	Screw	●	●	2
25	R071 05 090	Shaped washer	●	●	2
26	R071 05 088	Gearchange adjuster ball	●	●	1
27	R071 05 089	Adjuster sealing ring	●	●	1
28	R071 05 086	Gearlever bolt	●	●	1
29	R071 05 052	Gearlever	●	●	1
30	R071 05 053	Gearlever rubber	●	●	1
31	R068 05 170	Magneto cover	●	●	1
32	R068 05 060	Cover screw	●	●	2
33	R068 05 062	Cover screw	●	●	1
34	R071 05 059	Lever retaining bolt	●	●	1
35	R071 05 058	Lock washer	●	●	1
36	R071 05 019	Circlip	●	●	1
37	R071 05 017	Washer	●	●	1
38	R071 05 018	O ring	●	●	1
39	R071 05 015	Spring	●	●	1
40	R071 05 401	Kickstart lever complete	●		1
40	R071 05 301	Kickstart lever complete		●	1

CLUTCH

FIG	PART NO	ITEM	M X	S D	PER MC
1	R069 05 167	Clutch thrust pin	•	•	1
2	R069 05 161	Shim washer 0.1 mm	•	•	Var
2	R069 05 162	Shim washer 0.2 mm	•	•	Var
2	R069 05 163	Shim washer 0.3 mm	•	•	Var
2	R069 05 164	Shim washer 0.4 mm	•	•	Var
3	R069 05 068	Thrust bearing	•	•	1
4	R069 05 157	Thrust plate	•	•	1
5	R069 05 055	Clutch centre nut	•	•	1
6	R069 05 058	Lock tab centre nut	•	•	1
7	R069 05 049	Clutch cover plate	•	•	1
8	R069 05 047	Clutch plate	•	•	4
9	R069 05 045	Clutch plate	•	•	1
10	R069 05 124	Clutch plate friction	•	•	6
11	R069 05 143	Clutch retaining plate	•	•	1
12	R069 05 041	Pinion	•	•	1
13	R067 05 043	Shim washer 0.05 mm	•	•	Var
13	R067 05 044	Shim washer 0.1 mm	•	•	Var
13	R067 05 046	Shim washer 0.2 mm	•	•	Var
13	R067 05 048	Shim washer 0.5 mm	•	•	Var
13	R067 05 049	Shim washer 0.8 mm	•	•	Var
14	R069 05 051	Thimble	•	•	10
15	R069 05 253	Clutch spring	•	•	10
16	R069 05 059	Clutch tension nut	•	•	5
17	R067 05 051	Pinion ball	•	•	2
18	R069 05 103	Pinion	•	•	1
19	R069 05 201	Clutch wheel and pinion (paired)	•	•	1
20	R068 05 048	Crankcase /clutch cover bolt	•	•	8
21	R068 05 046	Crankcase /clutch cover bolt	•	•	3
22	R068 05 030	Cover clutch side	•	•	1
23	R068 05 022	Dowel bush	•	•	2
24	R069 05 035	Sealing washer	•	•	1
25	R069 05 037	Oil level plug	•	•	1
26	R069 05 119	Guide bolt	•	•	1

FIG	PART NO	ITEM	M X	S D	PER MC
27	R069 05 118	Circlip	•	•	1
28	R068 05 058	Gasket	•	•	1
29	R069 05 023	Adjuster screw	•	•	1
30	R069 05 028	Sealing washer	•	•	1
31	R069 05 027	Locknut	•	•	1
32	R069 05 031	Auxilliary cover	•	•	1
33	R069 05 039	Cover screw	•	•	2
34	R069 05 009	Shim washer 0.2 mm	•	•	1
34	R069 05 011	Shim washer 0.5 mm	•	•	Var
35	R069 05 013	Return spring	•	•	1
36	R069 05 017	Spring clip	•	•	1
37	R069 05 015	Sealing ring	•	•	1
38	R069 05 007	Clutch operating arm	•	•	1
39	R069 05 021	Clutch tongue	•	•	1
40	R069 05 029	Retaining spring	•	•	2
41	R069 05 031	Bolt	•	•	2
42	R069 05 005	Bearing	•	•	1

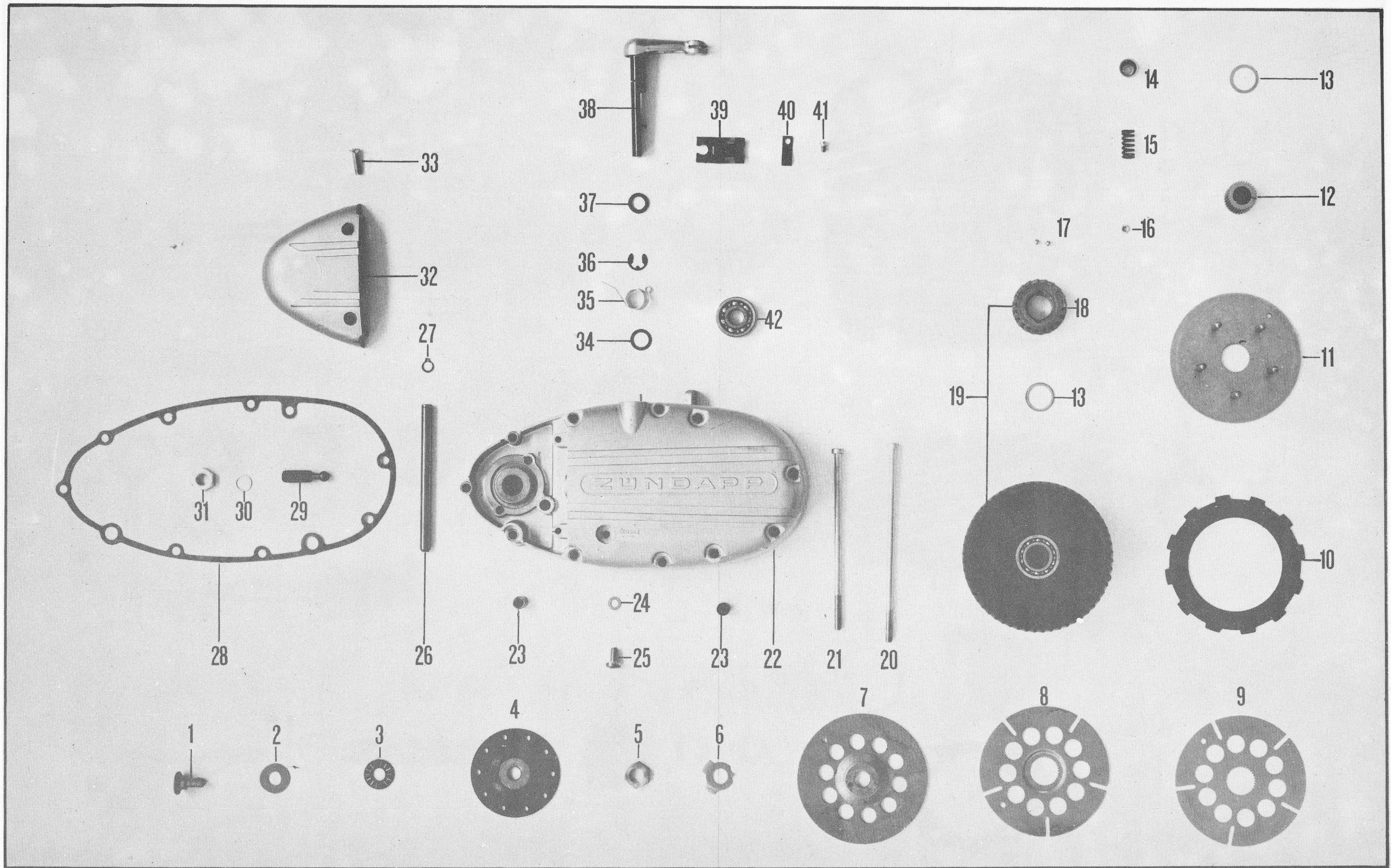


ILLUSTRATION 10

CYLINDER & GEARBOX

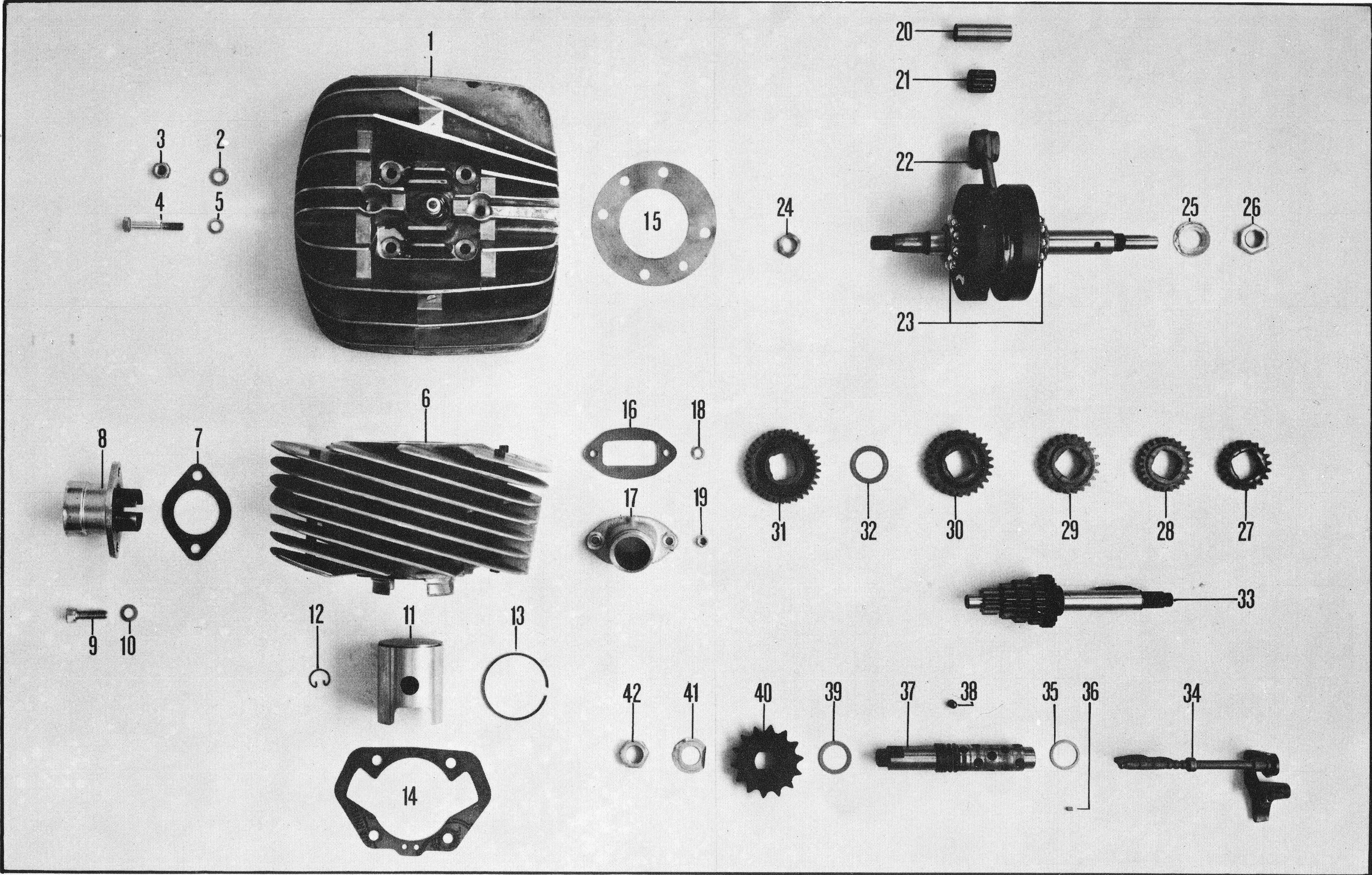


ILLUSTRATION 11

CYLINDER & GEARBOX

FIG	PART NO	ITEM	M X	S D	PER MC
1.	R066 05 066	Cylinder head	●	●	1
2	R066 05 074	Washer	●	●	4
3	R066 05 071	Cylinder head nut	●	●	4
4	R066 05 170	Cylinder head bolt	●	●	2
5	R066 05 173	Washer	●	●	2
6	R066 05 254	Cylinder	●		1
6	R066 05 354	Cylinder		●	1
7	R066 05 013	Exhaust flange gasket	●	●	1
8	R066 05 210	Exhaust flange	●		1
8	R066 05 310	Exhaust flange		●	1
9	R066 05 011	Bolt exhaust flange	●	●	2
10	R066 05 012	Washer	●	●	2
11	R066 05 3551	Piston size AB	●	●	1
	R066 05 3552	Piston size BC	●	●	1
	R066 05 3553	Piston size CD	●	●	1
	R066 05 3554	Piston size DE	●	●	1
12	R066 05 163	Circlip	●	●	2
13	R066 05 365	Piston ring	●	●	1
14	R066 05 095	Cylinder base gasket	●	●	1
15	R066 05 088	Cylinder head gasket	●	●	1
16	R066 05 090	Inlet manifold gasket	●	●	1
17	R066 05 293	Inlet manifold	●	●	1
18	R251 04	Washer	●	●	2
19	R151 04	Nut	●	●	2
20	R066 05 061	Piston pin	●	●	1
21	R067 05 037	Small end needle bearing	●	●	1
22	R066 05 302	Crankshaft complete	●		1
22	R066 05 402	Crankshaft complete		●	1
23	R067 05 057	Main bearing	●	●	2
24	R023 05 074	Flywheel nut	●	●	1
25	R070 05 060	Pinion lock tab	●	●	1
26	R069 05 009	Pinion nut (LH thread)	●	●	1
27	R070 05 110	5th gear pinion 19T	●	●	1
28	R070 05 112	4th gear pinion 24T	●	●	1
29	R070 05 014	3rd gear pinion 23T	●	●	1

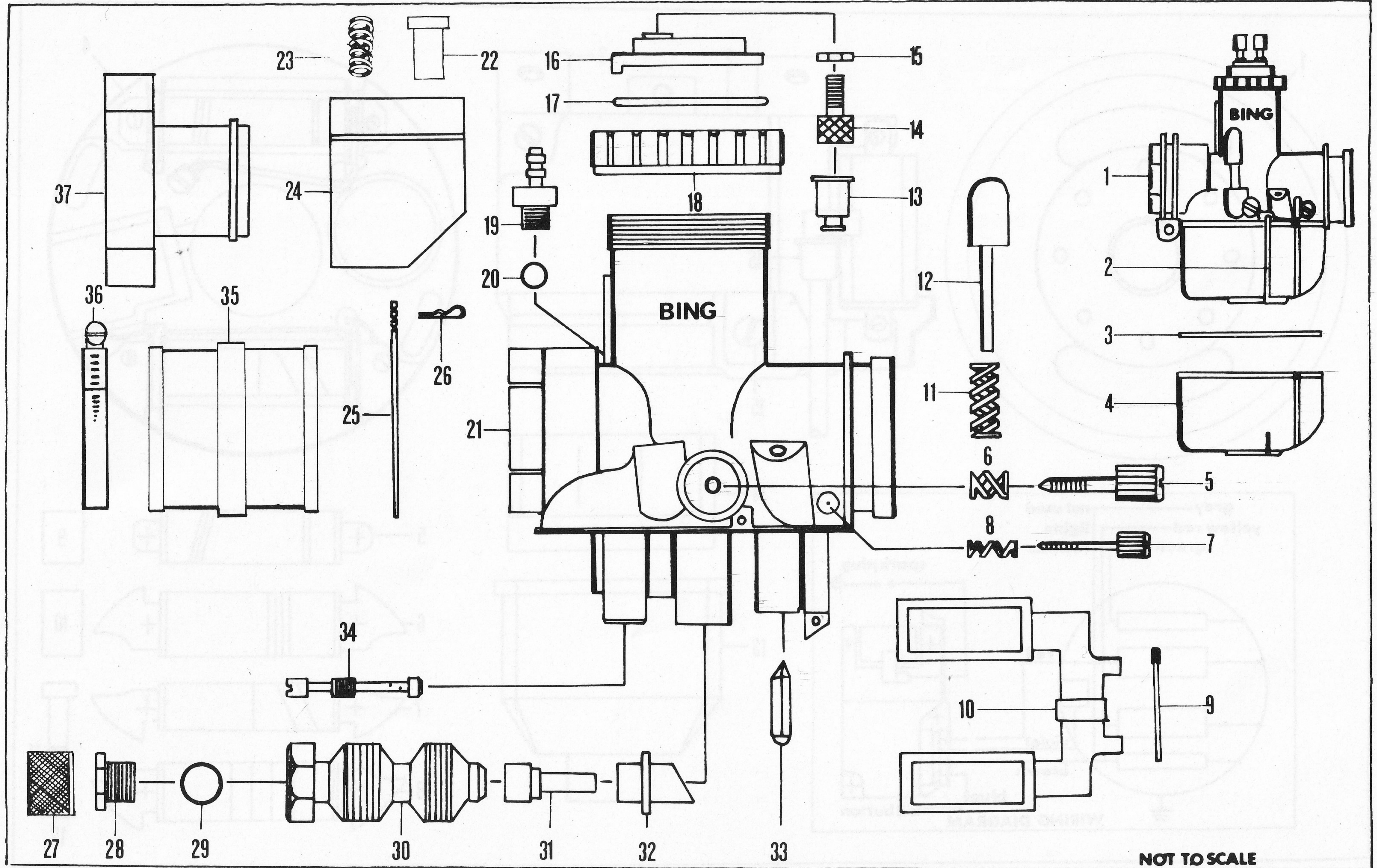
FIG	PART NO	ITEM	M X	S D	PER MC
30	R070 05 016	2nd gear pinion 26T	●	●	1
31	R070 05 018	1st gear pinion 34T	●	●	1
32	R070 05 024	Shim washer 0.1 mm	●	●	Var
32	R070 05 022	Shim washer 0.2 mm	●	●	Var
32	R070 05 026	Shim washer 0.3 mm	●	●	Var
33	R070 05 142	Drive shaft with integral gears	●	●	1
34	R070 05 056	Gear selector rod	●	●	1
35	R070 05 006	Spacer 18.1x23.5x1mm	●	●	1
35	R070 05 008	Spacer 19.1x24.9x1mm	●	●	1
36	R070 05 004	Roller	●	●	19
37	R070 05 020	Selector shaft	●	●	1
38	R070 05 058	Ball	●	●	20
Not	available	Plunger spring) in selector			
	as spares	Plunger) shaft			
39	R071 05 049	Shim washer 0.1 mm	●	●	Var
39	R071 05 044	Shim washer 0.2 mm	●	●	Var
39	R071 05 047	Shim washer 1.0 mm	●	●	1
40	R070 05 054	Final drive sprocket 13T	●	●	1
40	R070 05 053	Final drive sprocket 14T	●	●	1
40	R070 05 052	Final drive sprocket 15T	●	●	1
41	R070 05 060	Lock washer	●	●	1
42	R070 05 062	Nut final drive sprocket (RH thread)	●	●	1
Not ill	R067 05 009	Con rod repair kit	●	●	1

CARBURETTOR

FIG	PART NO	ITEM	PER MC
1	R058 05 0041	Carburettor complete 27mm	1
2	R058 05 010	Bowl retaining clip	1
3	R058 05 019	Float bowl gasket	1
4	R058 05 121	Float bowl	1
5	R058 05 072	Throttle control stop screw	1
6	R058 05 081	Stop screw spring	1
7	R058 05 080	Air control screw	1
8	R058 05 082	Air control screw spring	1
9	R058 05 031	Float pivot pin	1
10	R058 05 032	Float	1
11	R058 05 009	Priming button spring	1
12	R058 05 007	Priming button	1
13	R058 05 105	Cable sleeve	1
14	R058 05 016	Throttle cable adjuster	1
15	R058 05 005	Locknut	1
16	R058 05 295	Carburettor top	1
17	R058 05 012	O ring	1
18	R058 05 097	Screw ring	1
19	R058 05 098	Fuel connector	1
20	R058 05 055	Sealing washer	1
21	R058 05 078	Carburettor body	1
22	R058 05 106	Throttle slide plug	1
23	R058 05 093	Throttle slide spring	1

FIG	PART NO	ITEM	PER MC
24	R058 05 141	Throttle slide	1
25	R058 05 037	Needle No. 4	1
26	R058 05 091	Needle clip	1
27	R058 05 043	Gauze - Main jet	1
28	R058 05 047	Main jet 120	1
28	R058 05 052	Main jet 123	1
28	R058 05 048	Main jet 125	1
28	R058 05 050	Main jet 130	1
29	R058 05 029	Washer	1
30	R058 05 028	Choke tube	1
31	R058 05 086	Needle jet 2.76	1
32	R058 05 128	Atomiser	1
33	R058 05 025	Float needle	1
34	R058 05 062	Idle running Jet 30	1
34	R058 05 063	Idle running jet 35	1
35	R066 05 079	Carb. mounting rubber	1
36	R066 05 080	Clip - carb. mounting	2
37	R066 05 293	Inlet manifold	1

CARBURETTOR



NOT TO SCALE

IGNITION

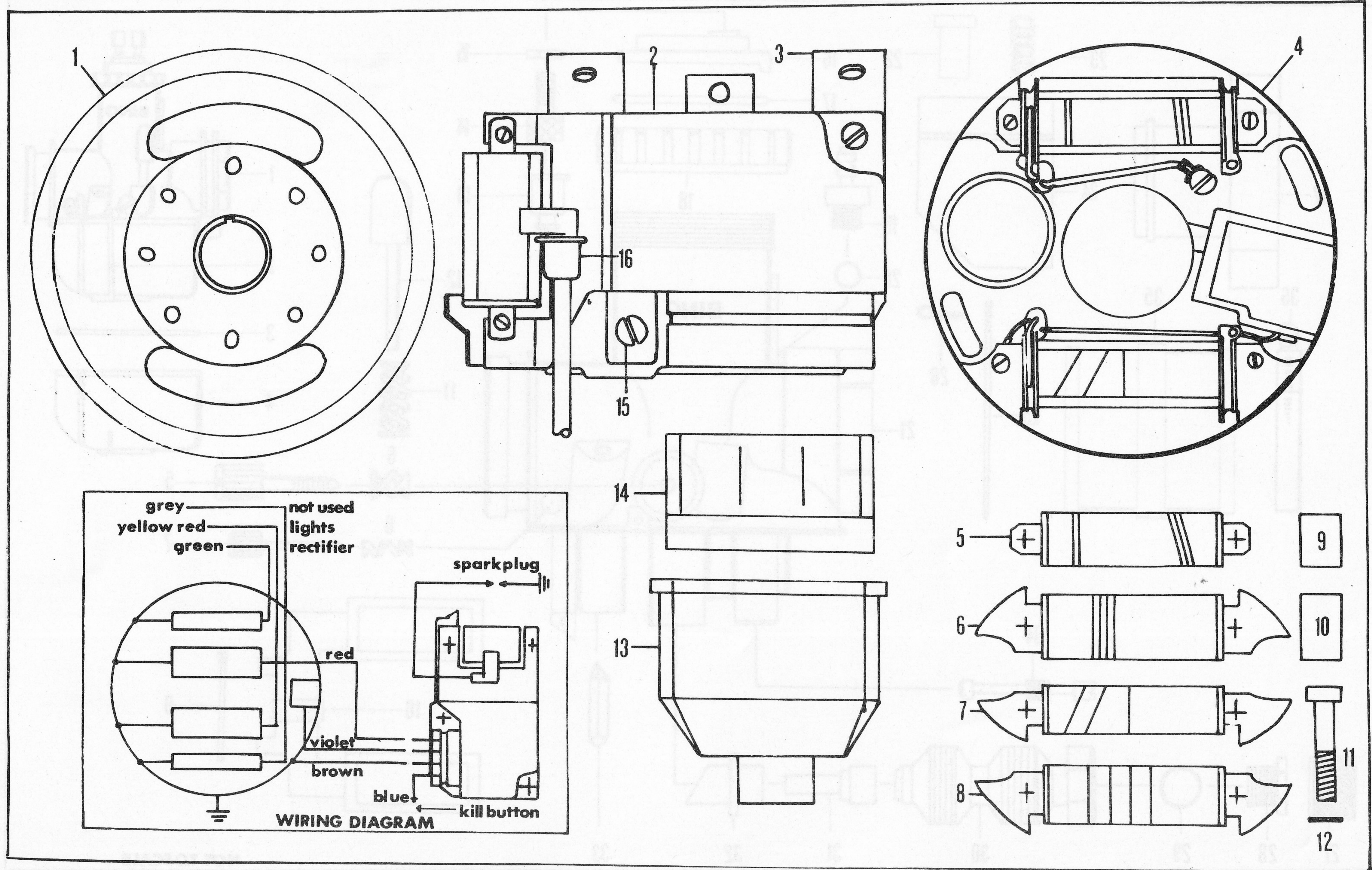


ILLUSTRATION 13

IGNITION

FIG	PART NO	ITEM	M X	S D	PER MC
	R023 05 003	Electronic ignition complete	●		1
	R023 05 003	Electronic ignition complete		●	1
1	R023 05 191	Flywheel	●	●	1
2	R023 05 004	Electronic control box	●	●	1
3	R023 05 046	Electronic box mounting plate	●	●	1
4	R023 05 106	Armature plate	●		1
4	R023 05 106	Armature plate		●	1
5	R023 05 029	Rear light coil 5W	●	●	1
6	R023 05 028	Lighting coil 35W	●	●	1
7	R023 05 027	Charging coil 18W	●	●	1
8	R023 05 021	Ignition coil	●	●	1
9	R023 05 080	Spacer bush	●	●	2
10	R023 05 081	Spacer bush	●	●	2
11	R023 05 087	Screw - coils to backplate	●	●	4
12	R023 05 088	Washer - coils to backplate	●	●	4
13	R023 05 089	Plug cover	●	●	1
14	R023 05 044	6 way plug	●	●	1
15	R023 05 047	Bolt - box to mounting plate	●	●	2
15	R023 05 048	Washer - box to mounting plate	●	●	4
15	R023 05 049	Nut - box to mounting plate	●	●	2
16	R023 05 052	H.T. lead end cover	●	●	1
Not ill.	R068 05 080	Cable grommet - outer case and crankcase inner	●	●	1

FIG	PART NO	ITEM	M X	S D	PER MC
Not ill.	R023 05 086	Cable grommet - outer case and crankcase outer	●	●	1
Not ill.	R023 05 045	Lucar connection (inside plug)	●	●	4
Not ill.	R023 05 051	Plug cap	●	●	1
Not ill.	R023 05 074	Flywheel nut	●	●	1
Not ill.	R067 05 050	Woodruff key	●	●	1

EXHAUST & TOOLS

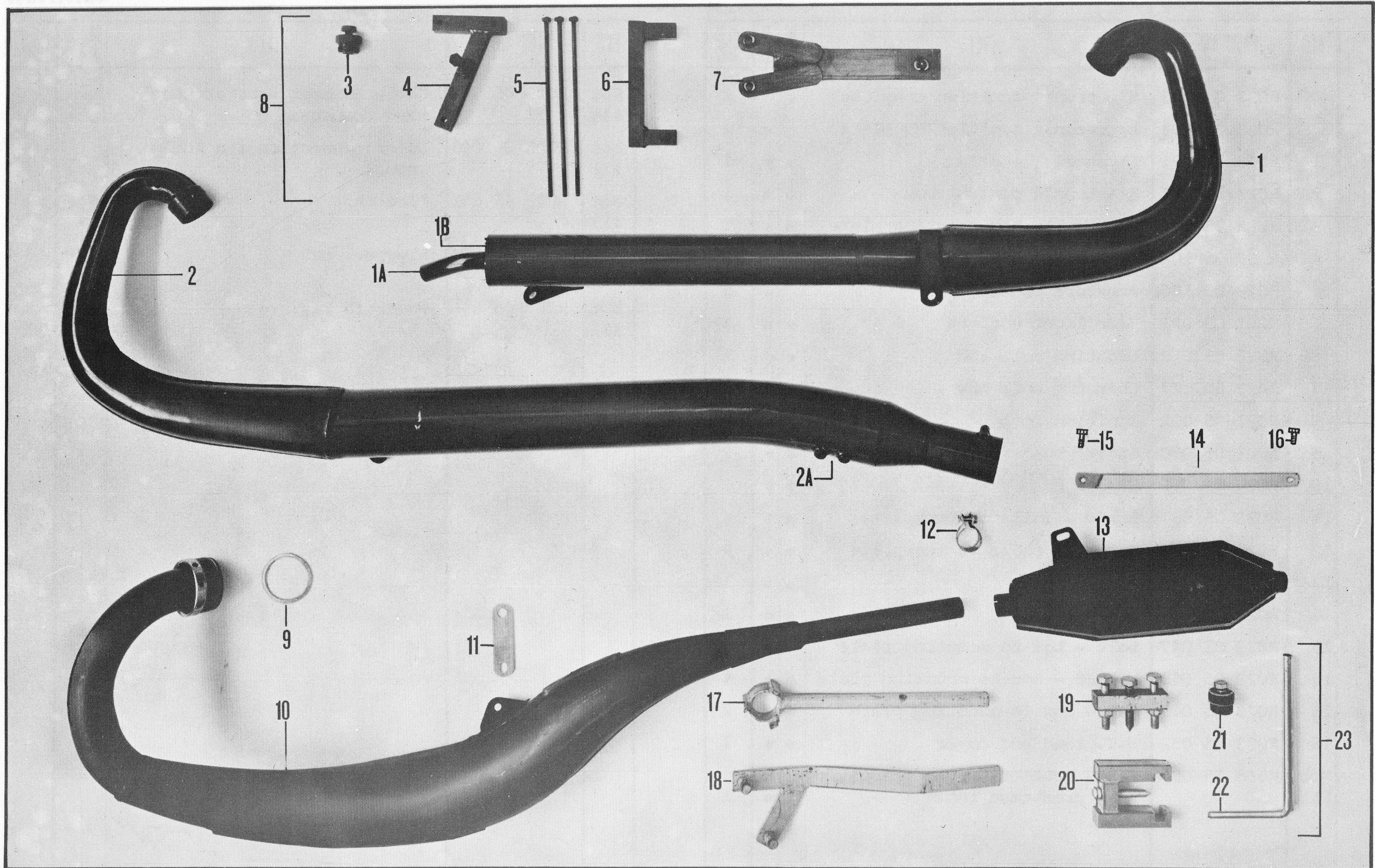


ILLUSTRATION 14

R125

FIG	PART NO	ITEM	M X	S D	PER MC
1	R007 05 109	Exhaust system complete	●		1
1A	R007 05 111	Tail pipe	●		1
1B	R007 05 121	Packing - fibreglass	●		1
2	R007 05 212	Exhaust system complete		●	1
2A	R007 05 052	Mounting bracket		●	1
Not ill	R007 05 050	Exhaust retaining spring	●	●	2
3	R042 05 001	Magneto extractor	●	●	1
4	R042 05 003	Clutch compressor	●	●	1
5	R042 05 005	Clutch compressor bolts	●	●	3
6	R042 05 004	Gauging frame	●	●	1
7	R042 05 002	Clutch/magneto holding tool	●	●	1
8	R045 05 002	Full set of tools			

R 250

EXHAUST & TOOLS

FIG	PART NO	ITEM	PER MC
9	R066 06 091	Exhaust gasket	1
10	R007 06 102	Expansion chamber	1
11	R007 06 103	Expansion chamber support strap	1
12	R007 06 105	Silencer clip	1
13	R007 06 104	Silencer	1
14	R007 06 106	Silencer support strap	1
15	R155 05 104	Fastener stay/silencer	1
16	R155 05 105	Fastener stay/frame	1
17	R042 06 009	Clutch holding tool	1
18	R042 06 102	Flywheel holding tool	1
19	R042 06 111	Gearbox sprocket puller	1
20	R042 06 016	Primary drive gear puller	1
21	R042 06 001	Magneto extractor	1
22	R042 06 010	Cylinder barrel key	1
23	R045 06 102	Full set of tools	

ELECTRICS

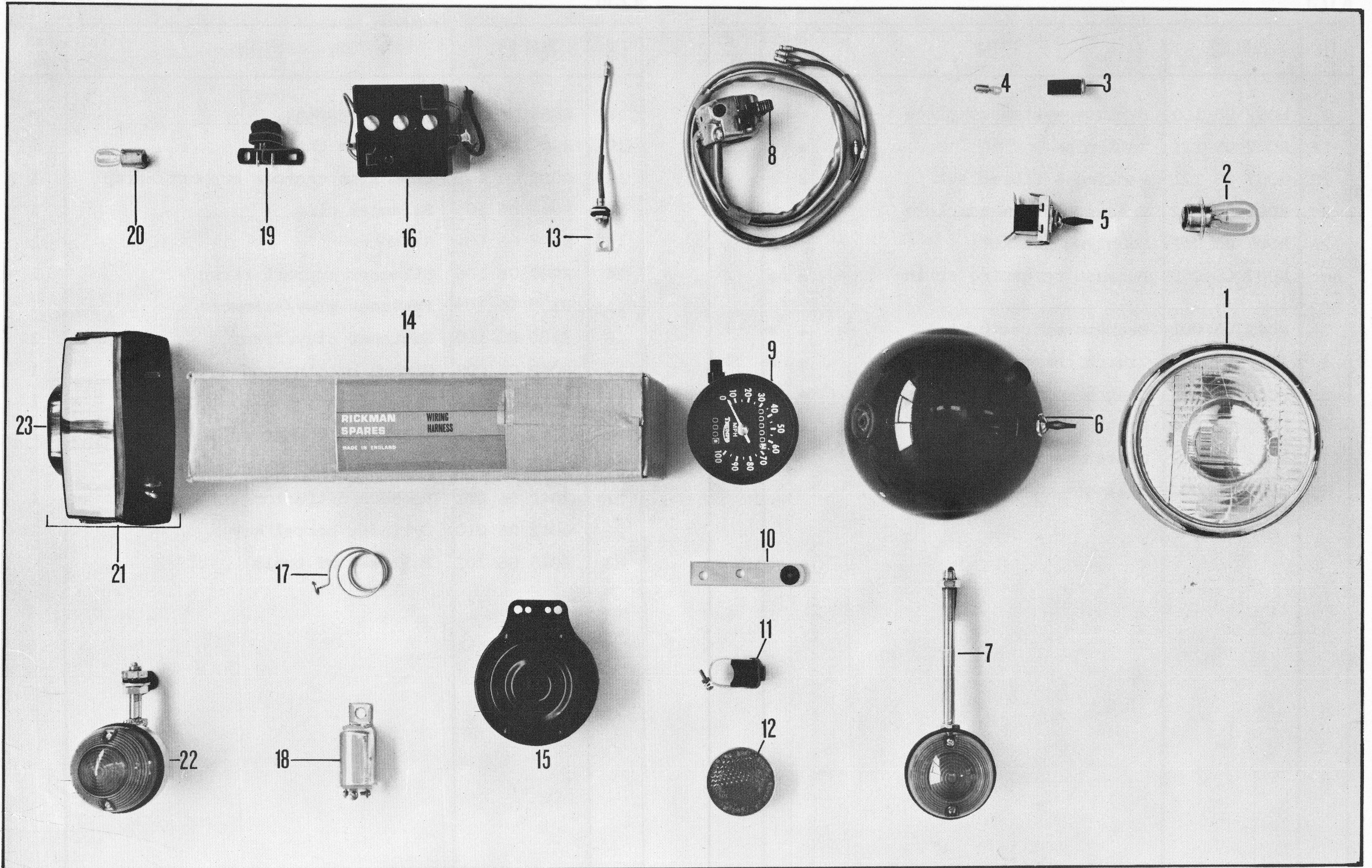


ILLUSTRATION 15

ELECTRICS

FIG	PART NO	ITEM	M X	S D	PER MC
	R024 05 0011	Headlamp complete		●	1
1	R024 05 011	Light unit		●	1
1	R024 05 003	Chrome rim		●	1
2	R024 05 044	Headlamp bulb 6V 30/24W		●	1
3	R025 03 003	Indicator light Red - Ignition		●	1
3	R025 03 005	Indicator light Amber - Flasher		●	1
4	R024 05 038	Indicator light bulb 6V 2.2W		●	2
5	R024 05 0211	Light switch		●	1
6	R024 05 0131	Headlamp shell		●	1
7	R025 05 028	Flasher - front		●	2
7	R025 05 030	Flasher lens		●	2
7	R025 05 032	Flasher bulb		●	2
8	R025 05 008	Dip horn flasher switch		●	1
9	R022 05 251	Speedometer		●	1
10	R001 05 384	Speedometer mounting bracket left and righthand		●	2
11	R023 05 101	Kill button with loom	●	●	1
12	R025 05 001	Front reflector - Amber		●	2
13	R024 05 025	Rectifier		●	1
14	R024 05 184	Wiring harness complete including 14A, B & C		●	1
14A	R024 05 084	Wiring harness main		●	1
14B	R025 05 043	Wiring harness indicator		●	1
14C	R024 05 088	Wiring harness stop light		●	1
15	R025 05 017	Horn		●	1

FIG	PART NO	ITEM	M X	S D	PER MC
16	R025 05 005	Battery		●	1
17	R025 05 023	Flasher unit spring		●	1
18	R025 05 021	Flasher unit		●	1
19	R024 05 088	Stop light switch		●	1
20	R024 05 031	Stop/tail light bulb 6V 5/21W		●	1
21	R024 05 127	Stop/tail light		●	1
22	R025 05 128	Flasher rear		●	2
22	R025 05 030	Flasher lens		●	2
22	R025 05 032	Flasher bulb 6V 21W		●	2
23	R024 05 136	Rear tail light lens		●	1



These specification details do not apply to any particular product which is supplied or offered for sale. The manufacturers reserve the right to vary their specification with or without notice and at such times and in such manner as they think fit. Major as well as minor changes may be involved. Every effort, however, is made to ensure the accuracy of the particulars contained in this brochure. Consult the dealer with whom your order is placed for details of the specification of any particular product.

This publication shall not constitute in any circumstances whatsoever an offer by the Company to any person. All sales are made by the Distributor or Dealer concerned subject to and with the benefit of the standard Conditions of Sale and Warranty given by the Distributor or Dealer, copies of which may be obtained from him on request.