

FURY

GRAND PRIX 175

H 4599.90



JFJACOB@GMAIL.COM

SPARE PARTS CATALOGUE

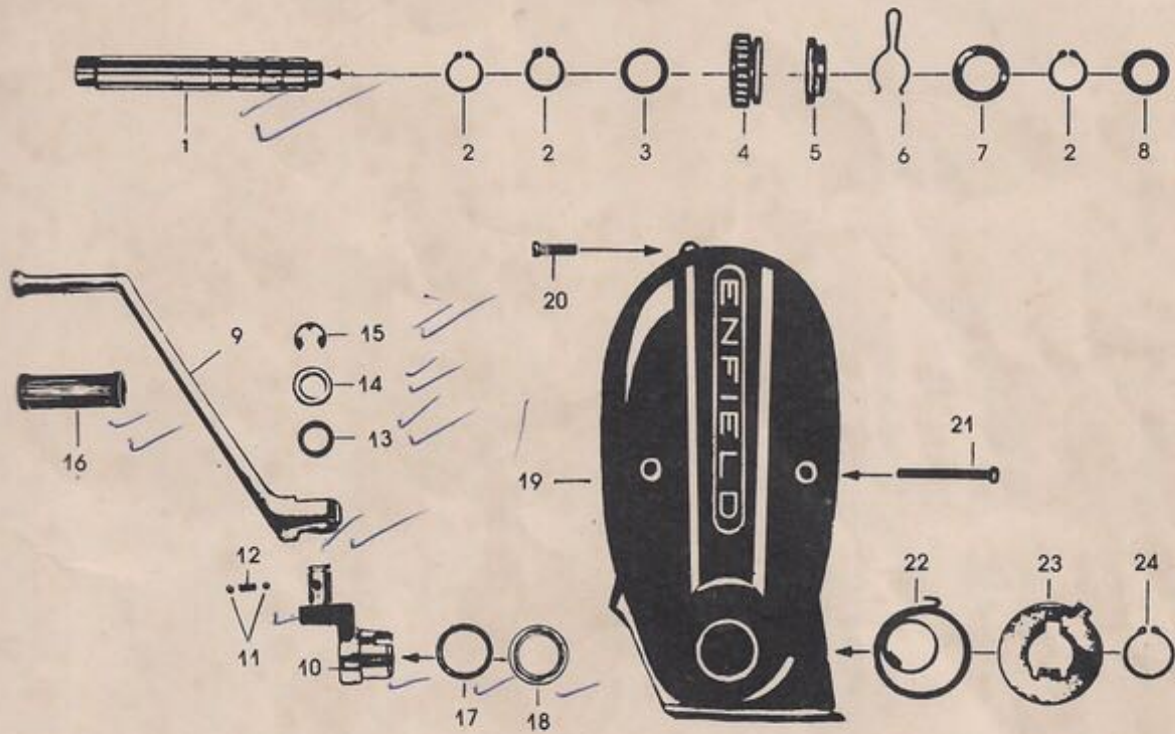
ENFIELD

CONTENTS

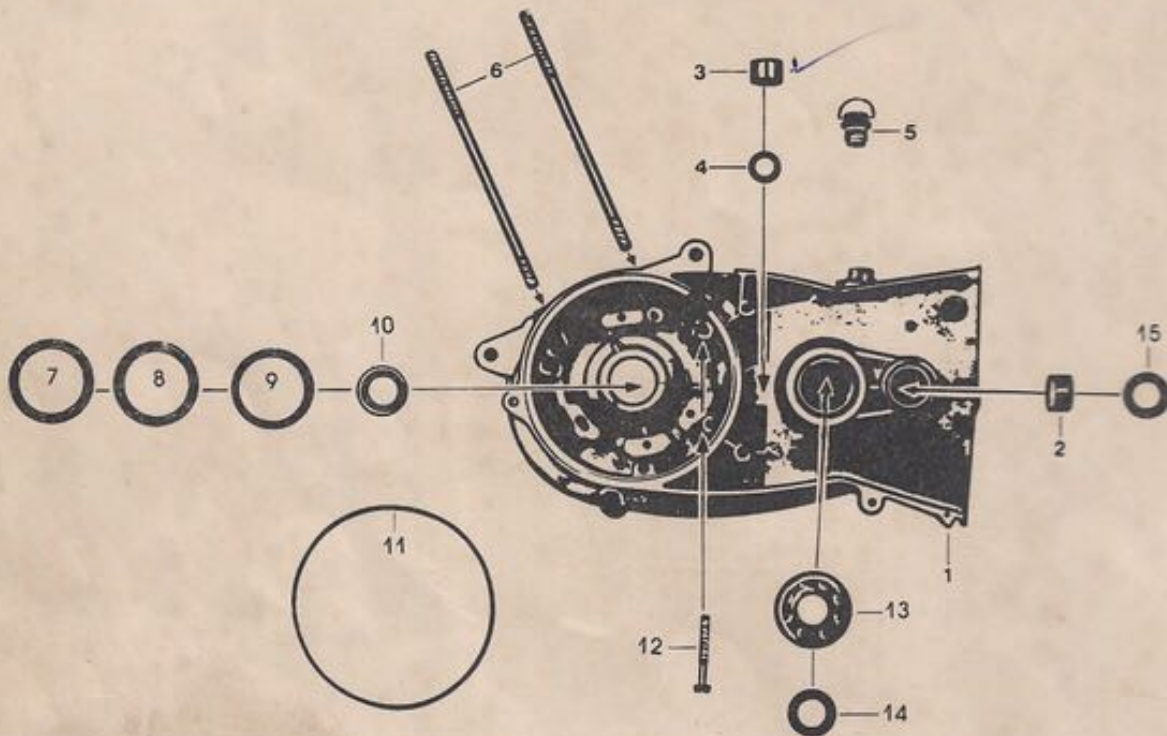
PLATE NO.	ASSEMBLY	PAGE NO.
1.	KICK STARTER ASSY.	1
2.	CRANKCASE L.H.	2
3.	CRANKCASE R.H.	3
4.	CLUTCH COVER — ACTUATING ARM	4
5.	ENGINE GASKETS	5
6.	CYLINDER — CRANKSHAFT	6
7.	SILENCER ASSEMBLY	7
8.	AIR FILTER ASSEMBLY — RESONATOR	8
9.	MAIN DRIVE SHAFT — CLUTCH BELL — SELECTOR SHAFT	9
10.	GEAR SHIFT SHAFT ASSEMBLY	11
11.	CLUTCH ASSEMBLY	12
12.	MAGNETO — IGNITION COIL	13
13.	FRAME — SIDE COVER — STEERING BEARING ASSEMBLY	14
14.	ENGINE MOUNTINGS	16
15.	FRONT SUSPENSION	17
16.	SWING ARM — CHAIN GUARD — SHOCK ABSORBERS	19
17.	FRONT WHEEL ASSEMBLY	20
18.	REAR WHEEL ASSEMBLY	21
19.	BRAKE CALIPER ASSEMBLY	23
20.	FOOT BRAKE ASSEMBLY	24
21.	HEAD LAMP ASSEMBLY	25
22.	TAIL LAMP ASSEMBLY	26
23.	TRAFFICATOR BATTERY	27
24.	COCKPIT	28
25.	HANDLE BAR — MIRROR	29
26.	THROTTLE CONTROL — HYDRAULIC UNIT	30
27.	HANDLE BAR CONTROLS L.H.	32
28.	MUDGUARDS — NUMBER PLATES	33
29.	PETROL TANK	34
30.	DUAL SEAT — PILLION HOLDER — CENTRE STAND — REAR FAIRINGS — SIDE STAND	35
31.	CABLE HARNESS	37
—	NUMERICAL INDEX	39
—	NEW ADDITIONS	52

KICK STARTER ASSEMBLY

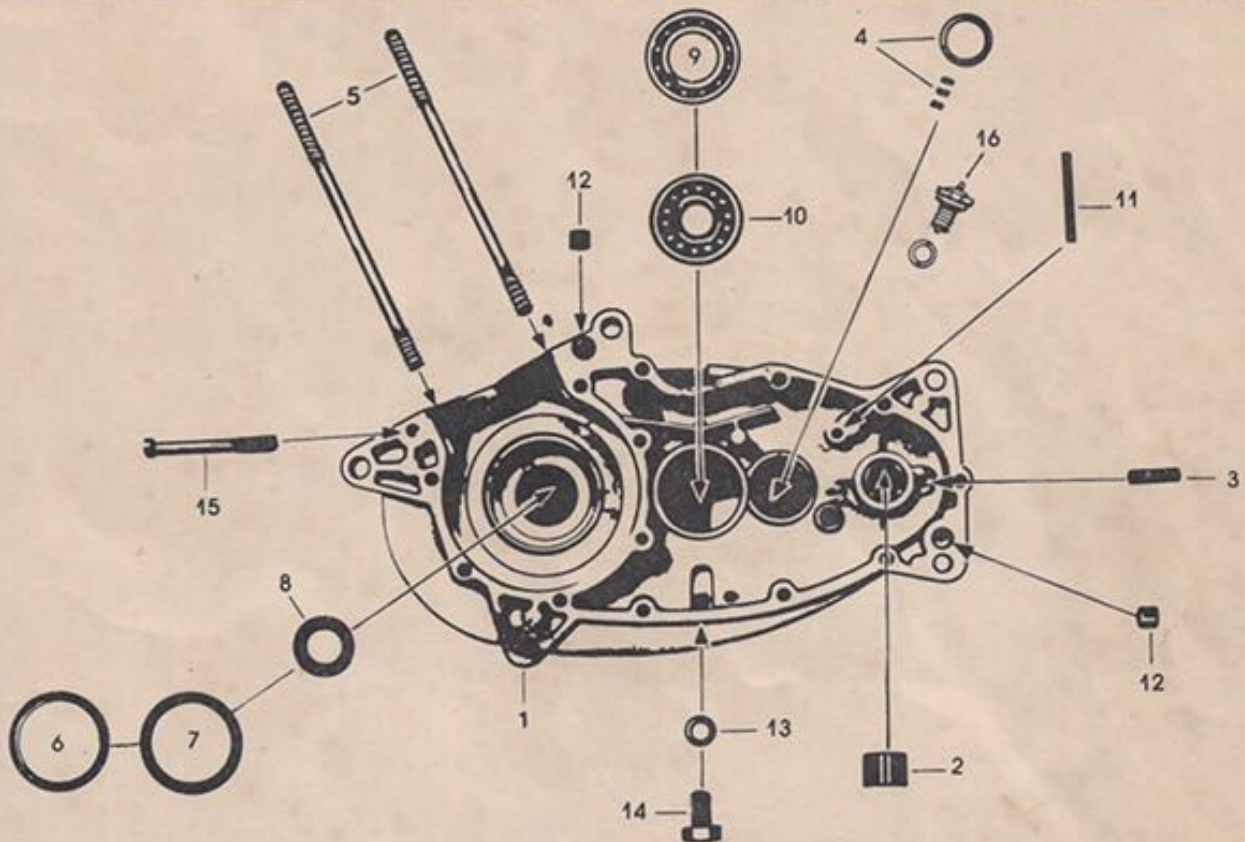
PLATE : 1



S. No.	Part No.	Description	No. off
1.	285-05-347-13	Kickstarter shaft	1
2.	PEZ 0542-22-4	External circlip 20 × 1.75	3
3.	265-05-203-15	Support washer 20 × 28 × 2	1
4.	285-05-169-13	Starter wheel	1
5.	283-05-149-14	Drivedog	1
6.	267-05-334-15	Brake spring	1
7.	265-05-255-19	Washer 22.1 × 32 × 0.2	AR
8.	265-05-245-19	Washer 16.1 × 28 × 1.0	1
9.	PEZ-2656-01-4	Kickstarter lever for toe heel	1
10.	PEZ-2655-01-3	Coupling for Toe heel	1
11.	PEZ-0905-28-4	Ball 05	2
12.	267-05-126-15	Compression spring	1
13.	PEZ-2652-21-4	Undulated washer	1
14.	PEZ-2650-18-4	Washer	1
15.	PEZ-3005-24-4	Radial retaining ring	1
16.	PEZ-2657-32-4	Cover	1
17.	283-05-156-19	Washer 28.3 × 34 × 0.5	AR
18.	283-05-157-19	Washer 28.3 × 34 × 0.8	AR
19.	285-01-125-11	Crankcase cover LH	1
20.	PEZ 0884-10-4	Slotted Cheese Head Screw AM6 × 22	1
21.	PEZ 0883-10-4	Slotted Cheese Head Screw BM6 × 55	2
22.	267-05-328-14	Starter spring	1
23.	284-05-603-15	Cover plate Assy	1
24.	PEZ 0544-22-4	External Circlip 28 × 1.5	1



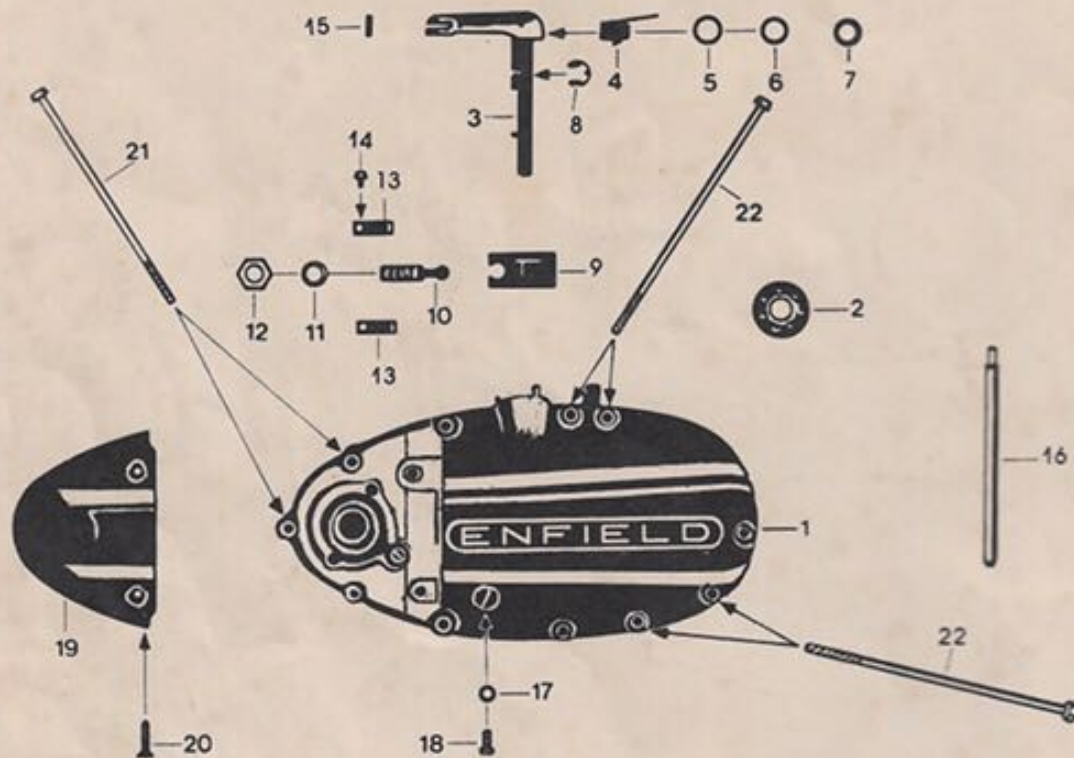
S. No.	Part No.	Description	No. off
1.	PEZ-3257-01-9	Crankcase LH with bush	1
2.	285-01-152-19	Bush 20 × 22 × 14	1
3.	285-01-757-15	Needle Sleeve 12 × 20 × 13	1
4.	285-01-224-19	Washer 12.3 × 19.9 × 1	1
5.	PEZ 1174-32-4	Screw Plug with clip	1
6.	288-01-109-14	Stud Bolt M8 × 166	2
7.	285-01-212-19	Washer 42 × 51.9 × 0.20	1
8.	285-01-211-19	Washer 42 × 51.9 × 0.10	AR
9.	285-01-210-19	Washer 42 × 51.9 × 0.05	AR
10.	285-01-194-15	Oil Seal 20 × 30 × 7	1
11.	285-01-192-19	O Ring 123 × 2.5	1
12.	PEZ 0881-10-4	Slotted Cheese Head Screw BM6 × 45	2
13.	PEZ 0910-28-4	Ball Bearing 6204 C3 20 × 47 × 14	1
14.	285-01-183-15	Oil Seal 20 × 30 × 7	1
15.	285-01-204-19	Oil Seal 20 × 28 × 6	1



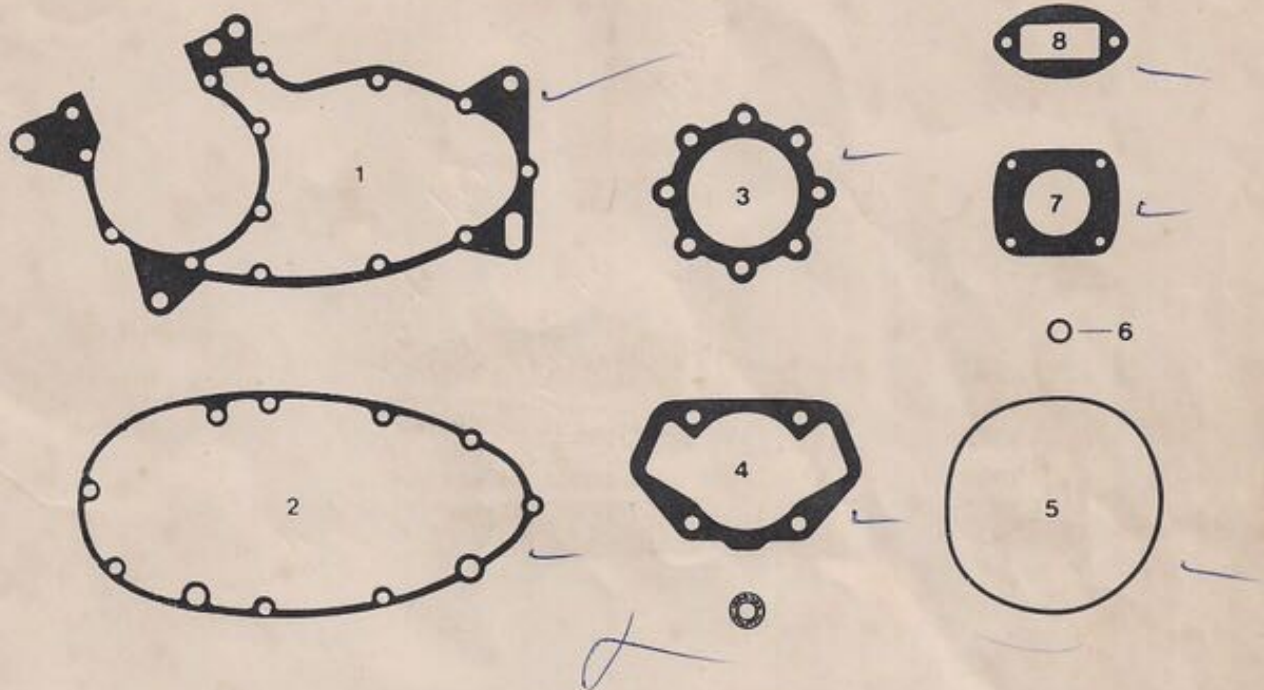
S. No.	Part No.	Description	No. off
1.	PEZ-3258-01-9	Crankcase RH with bushes	1
2.	267-01-153-14	Bush \emptyset 16	1
3.	267-05-129-15	Cotter pin	1
4.	285-05-677-14	Cylindrical Roller Bearing	1
5.	288-01-109-14	Stud Bolt M8 \times 166	2
6.	285-01-212-19	Washer 42 \times 51.9 \times 0.20	AR
7.	285-01-211-19	Washer 42 \times 51.9 \times 0.10	AR
8.	285-01-220-15	Oil Seal 20 \times 30 \times 8	1
9.	PEZ5013-28-4	Ball Bearing 6005/C3/25 \times 47 \times 12	1
10.	PEZ 0909-28-4	Ball Bearing 6303/C3/17 \times 47 \times 14	1
11.	PEZ 0801-26-4	Spring Dowel 5 \times 45	1
12.	250-01-229-14	Bush	4
13.	PEZ 0827-21-4	Copper Washer A10 \times 13.5	1
14.	PEZ 0846-08-4	Hex Screw M10 \times 18	1
15.	PEZ 0882-10-4	Slotted Cheese Head Screw BM6 \times 65 \times 20	1
16.	PEZ-3033-29-4	Switch (neutral indicator)	1

CLUTCH COVER – CLUTCH ACTUATING ARM

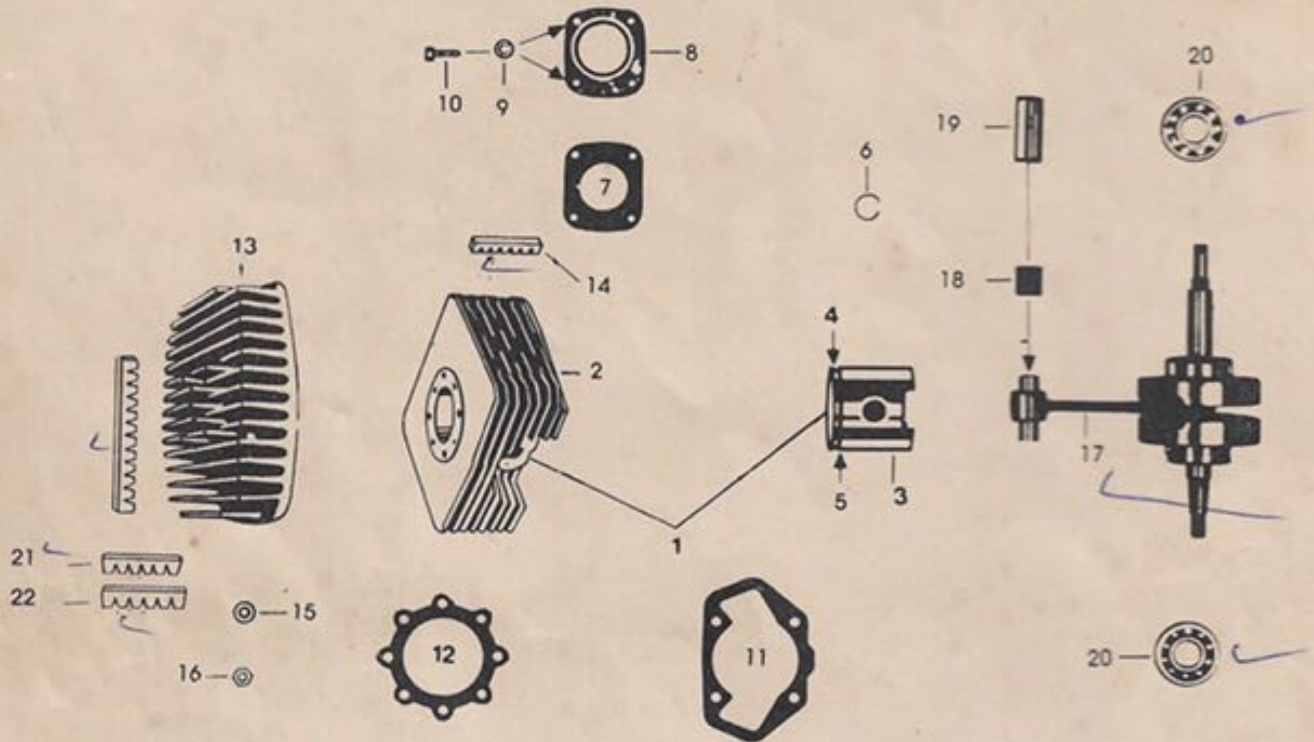
PLATE : 4



S. No.	Part No.	Description	No. off
1.	PEZ-3023-01-1	Crankcase cover RH	1
2.	PEZ0911-28-4	Ball Bearing 12 × 32 × 10 (6201)	1
3.	265-06-002-14	Clutch Actuating Arm	1
4.	265-06-112-15	Torsion Spring	1
5.	281-06-114-19	Washer 12 × 17 × 0.2	AR
6.	281-06-115-19	Washer 12 × 17 × 0.5	1
7.	405-15-388-19	O Ring	1
8.	PEZ0796-24-4	Radial Retaining Ring	1
9.	265-06-104-15	Clutch Tongue	1
10.	265-06-106-15	Adjusting Screw M10 × 1	1
11.	PEZ0827-21-4	Copper Washer	1
12.	PEZ0842-14-4	Hex Lock Nut M10 × 1	1
13.	265-06-109-15	Leaf Spring	2
14.	PEZ0886-10-4	Slotted Cheese Head Screw AM4 × 6	2
15.	PEZ0799-26-4	Spring Dowel 3 × 12	1
16.	PEZ-3024-01-4	Guide pin	1
17.	PEZ-0828-21-4	AL. Washer A6 × 10	1
18.	PEZ0892-11-4	Slotted Cheese Head Screw AM6 × 12	1
19.	PEZ-3259-01-9	Tail piece (RH cover)	1
20.	PEZ-0898-13-4	Slotted raised countersunk head screw	2
21.	285-01-181-15	Cheese Head Screw BM6 × 140 × 25	3
22.	285-01-180-15	Cheese Head Screw BM6 × 154 × 25	8



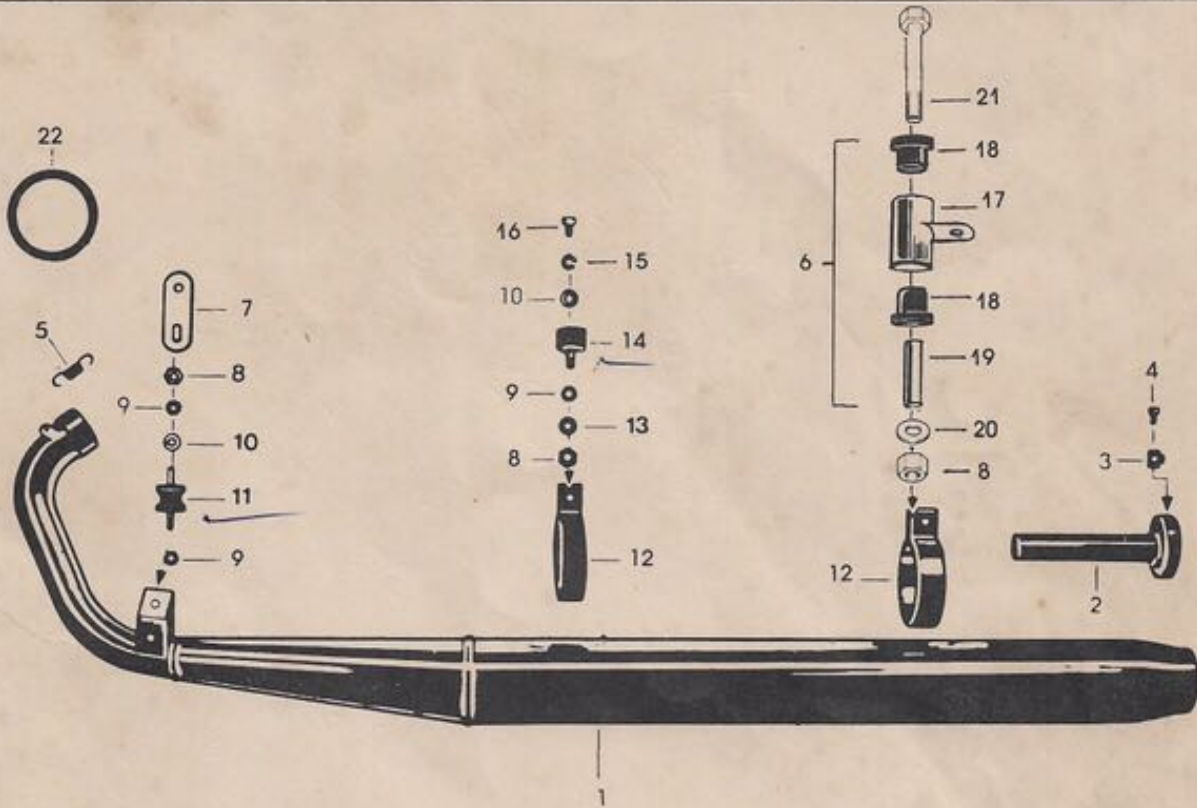
S. No.	Part No.	Description	No. off
1.	285-01-114-12	Crankcase centre gasket	1
2.	285-01-115-12	RH Cover gasket	1
3.	PEZ 1738-01-4	Cylinder head gasket	1
4.	288-02-114-14	Cylinder base gasket	1
5.	285-01-192-19	'O' Ring 123 × 2.5	1
6.	405-15-388-19	'O' Ring	1
7.	288-02-113-14	Exhaust flange gasket	1
8.	PEZ 1741-31-5	Inlet pipe gasket	1



S. No.	Part No.	Description	No. off
1.	PEZ-3219-01-3	Cylinder with piston	1
2.	PEZ-3178-01-3	Cylinder	1
3.	288-02-708-12	Piston 62 mm	1
4.	288-02-121-14	Piston ring	1
5.	288-02-122-14	Piston ring	1
6.	PEZ 1258-24-4	Gudgeon pin circlip	2
7.	288-02-113-14	Gasket (exhaust flange)	1
8.	288-02-612-14	Exhaust flange assy.	1
9.	PEZ 0809-18-4	Washer A 6.4	4
10.	PEZ 0873-09-4	Hex. socket head cap screw M6 × 20	4
11.	288-02-114-14	Cylinder base gasket	1
12.	PEZ 1738-01-4	Cylinder head gasket	1
13.	PEZ 2986-01-2	Cylinder head	1
14.	288-02-137-14	Damper rubber	4
15.	285-02-204-19	Washer 8.4 × 16.5 × 2.5	4
16.	PEZ 0839-14-4	Hex nut M8	4
17.	288-03-602-13	Crankshaft assy.	1
18.	292-03-107-14	Needle cage 18 × 22 × 23 (small end)	1
19.	294-03-112-14	Gudgeon pin	1
20.	285-03-701-15	Shoulder ball bearing	2
21.	PEZ-3210-30-4	Rubber damper	2
22.	PEZ-3211-30-3	Rubber damper	2

SILENCER ASSEMBLY

PLATE : 7

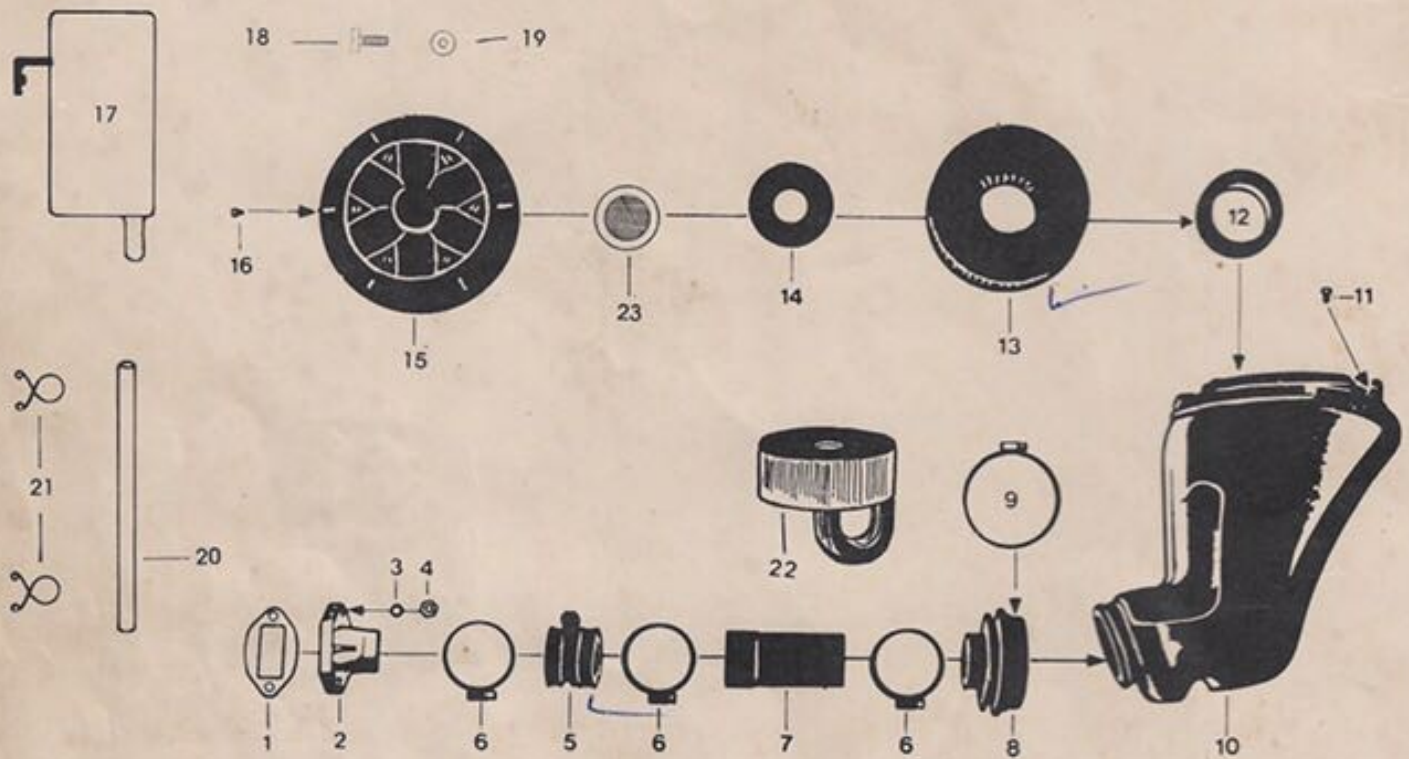


S. No.	Part No.	Description	No. off
1.	PEZ0515-01-0	Silencer Assy	1
2.	PEZ0548-01-3	Silencer End Cup Assy	1
3.	520-22-908-15	Lock plate	1
4.	PEZ0867-08-4	Hex screw M6 × 10	1
5.	448-15-136-15	Tension Spring	3
6.	PEZ-2827-01-4	Silent block assy	1
7.	521-22-117-15	Clamp	1
8.	PEZ0946-14-4	Hex Nut M8	3
9.	PEZ0825-20-4	Externally Toothed Washer A 8.4	3
10.	PEZ0813-18-4	Washer A 8.4	2
11.	521-22-116-15	Buffer	1
12.	521-22-107-14	Exhaust Clamp	2
13.	PEZ0832-21-4	Undulated Washer B8	1
14.	521-22-108-15	Buffer	1
15.	PEZ0818-19-4	Spring Washer B8	2
16.	PEZ0863-08-4	Hex Screw M8 × 12	1
17.	PEZ-2826-01-4	Connecting link assy	1
18.	247-01-139-15	Bush	2
19.	460-18-103-15	Spacer pipe	1
20.	PEZ-1008-18-4	Washer A 8.4	1
21.	PEZ-1016-08-4	Hex bolt M8 × 65	1
22.	521-22-125-15	Sealing ring	1

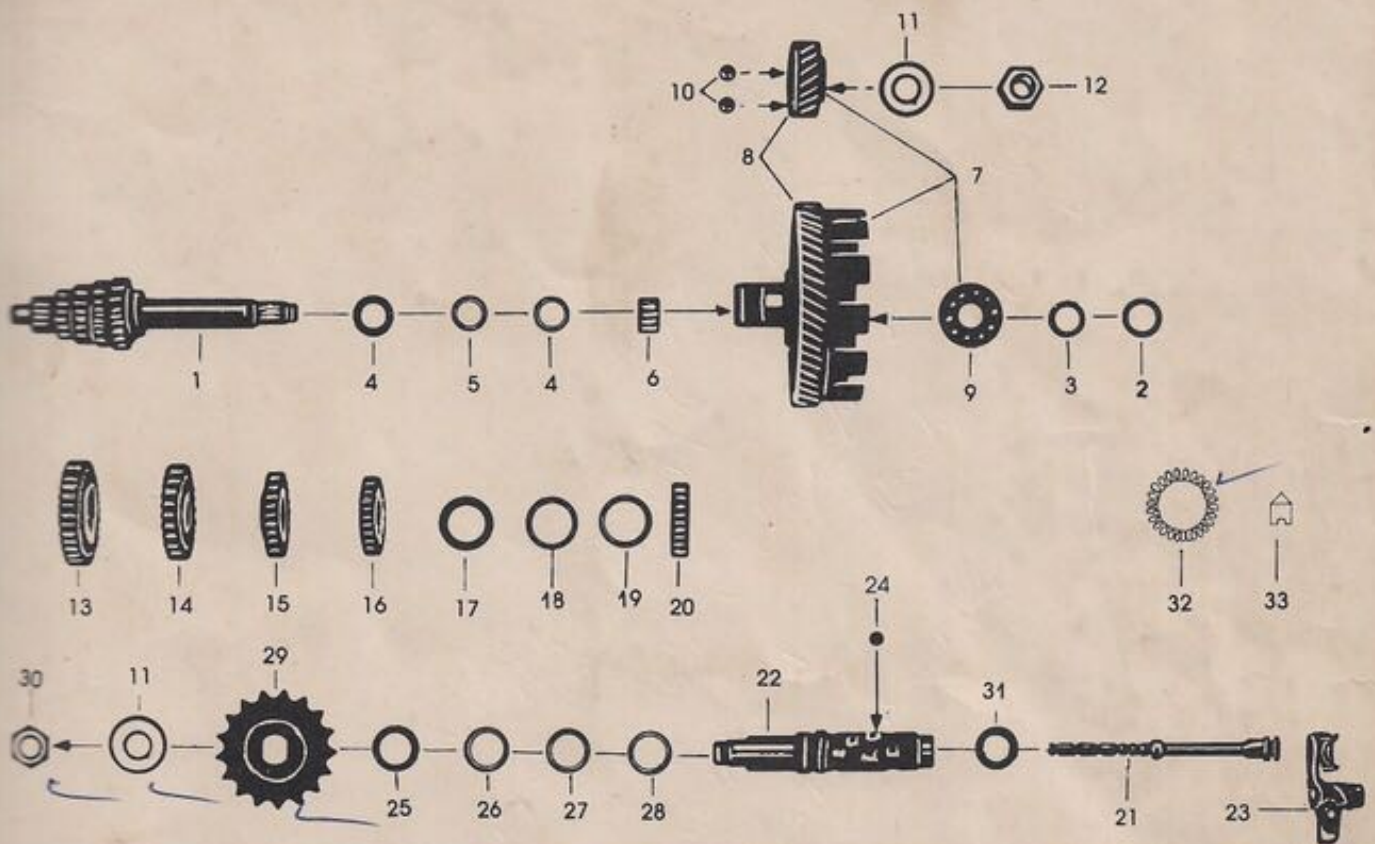
Handwritten mark

AIR FILTER ASSEMBLY - RESONATOR

PLATE : 8

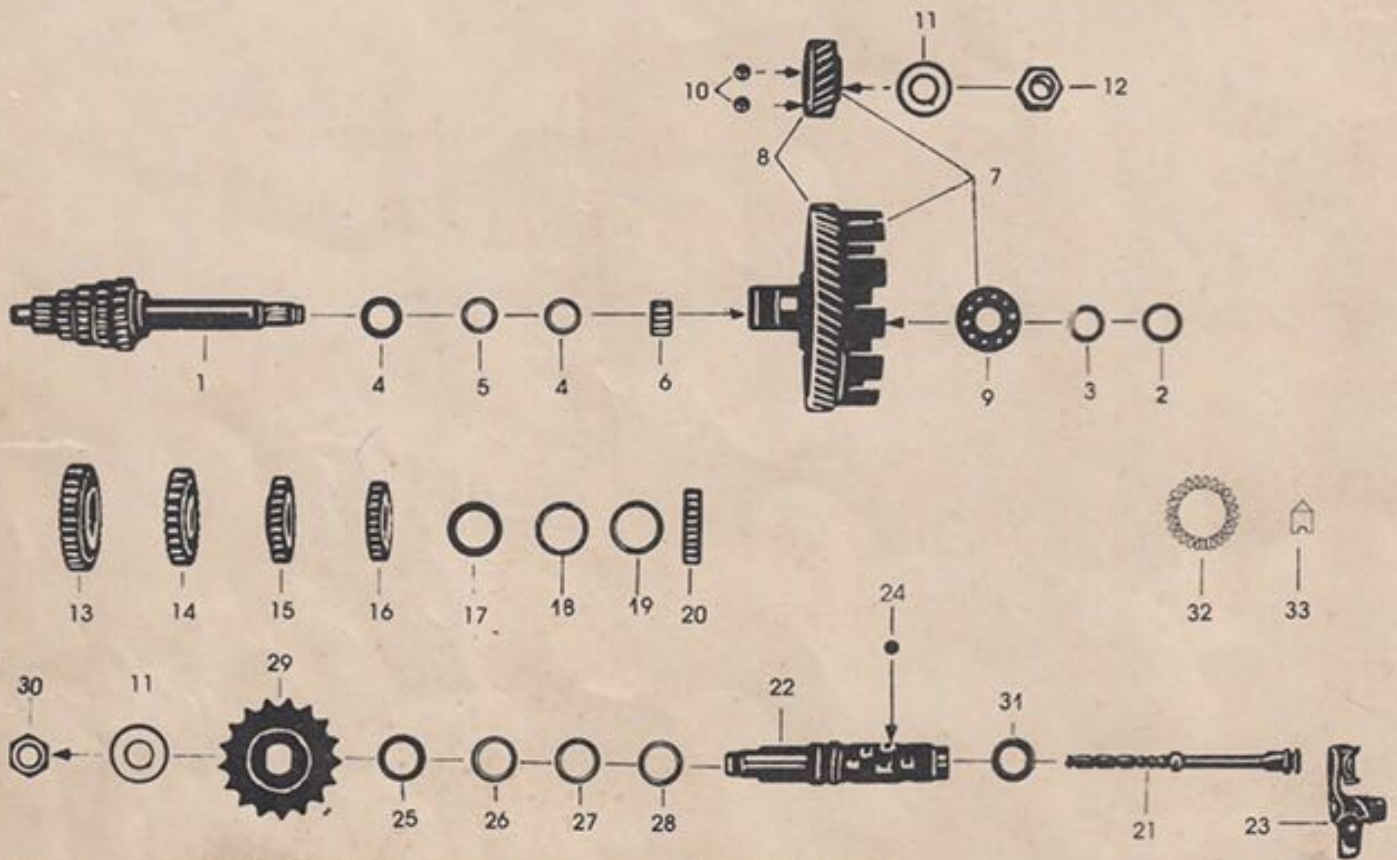


S. No.	Part No.	Description	No. off
1.	PEZ 1741-31-5	Gasket (inlet pipe)	1
2.	PEZ-3040-01-3	Inlet pipe	1
3.	PEZ 0809-18-4	Washer 6.4	2
4.	PEZ 0945-14-4	Hex Nut M6	2
5.	PEZ-2189-30-4	Sleeve with adopter	1
6.	PEZ 0932-31-4	Clamping Clip Al 40-60 C6	3
7.	PEZ 1750-32-4	Tube	1
8.	PEZ 1545-30-4	Bellows	1
9.	PEZ 0933-31-4	Clamping Clip Al 60-80 C6	1
10.	PEZ-2720-13-4	Air filter assy	1
11.	PEZ-0901-13-4	Cheese head tapping screw	1
12.	520-10-379-14	Sealing Ring	1
13.	520-10-608-14	Air Filter Element	1
14.	520-10-324-14	Sealing Ring 34.8	1
15.	521-10-623-14	Cover assy	1
16.	PEZ-0901-13-4	Cheese head tapping screw	6
17.	PEZ 1697-01-4	Resonator	1
18.	PEZ 0890-10-4	Cheese Head Screw AM6 x 12	1
19.	PEZ 0819-19-4	Spring washer B6	1
20.	PEZ 1686-30-4	Fuel Tube (inductor)	1
21.	PEZ 1733-01-4	Wire clamp	2
22.	520-10-363-12	Filter unit	1
23.	PEZ-2719-32-4	Filter insert	1

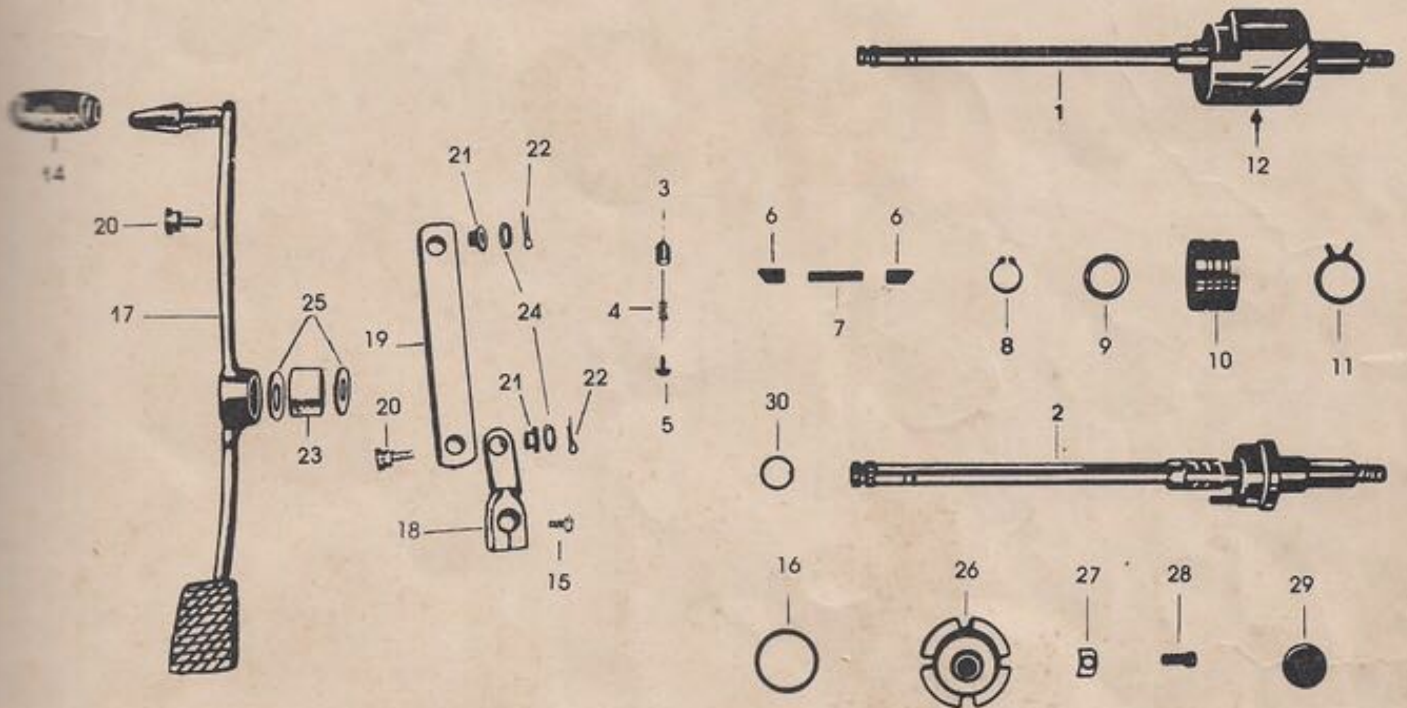


S. No.	Part No.	Description	No. off
1.	288-05-602-14	Gear Main Shaft	1
2.	265-05-177-19	Washer 17.1 × 23 × 0.1	AR
3.	265-05-176-19	Washer 17.1 × 23 × 0.2	AR
4.	265-05-175-19	Washer 17.1 × 23 × 0.5	AR
5.	265-05-179-19	Washer 17.1 × 23 × 0.8	AR
6.	285-05-330-14	Needle Cage 17 × 21 × 12.8	1
7.	288-05-703-14	Clutch Wheel Assy	1
8.	288-05-708-15	Clutch wheel with gear	1
9.	PEZ 0912-28-4	Ball Bearing 17 × 35 × 10	1
10.	PEZ 0905-28-4	Ball 5φ Class III	2
11.	276-05-198-19	Washer 15.2 × 30 × 0.75	2
12.	285-05-151-19	Hex Nut M15 × 1 LH thread	1
13.	288-05-112-13	Gear wheel 1 Gear 34T	1
14.	288-05-113-13	Gear wheel 2 Gear 26T	1
15.	288-05-114-13	Gear Wheel 3 Gear 24T	1
16.	288-05-115-13	Gear Wheel 4 Gear 23T	1
17.	265-05-255-19	Washer 22.1 × 32 × 0.2	AR
18.	265-05-256-19	Washer 22.1 × 32 × 0.1	AR
19.	265-05-257-19	Washer 22.1 × 32 × 0.3	AR
20.	288-05-116-13	Gear Wheel 5 Gear 20T	1
21.	PEZ-3025-01-3	Push rod	1
22.	288-05-117-13	Shift shaft assy	1
23.	PEZ-3026-01-3	Shift fork	1
24.	278-05-101-15	Ball 7	20

MAIN DRIVE SHAFT - CLUTCH BELL - SELECTOR SHAFT



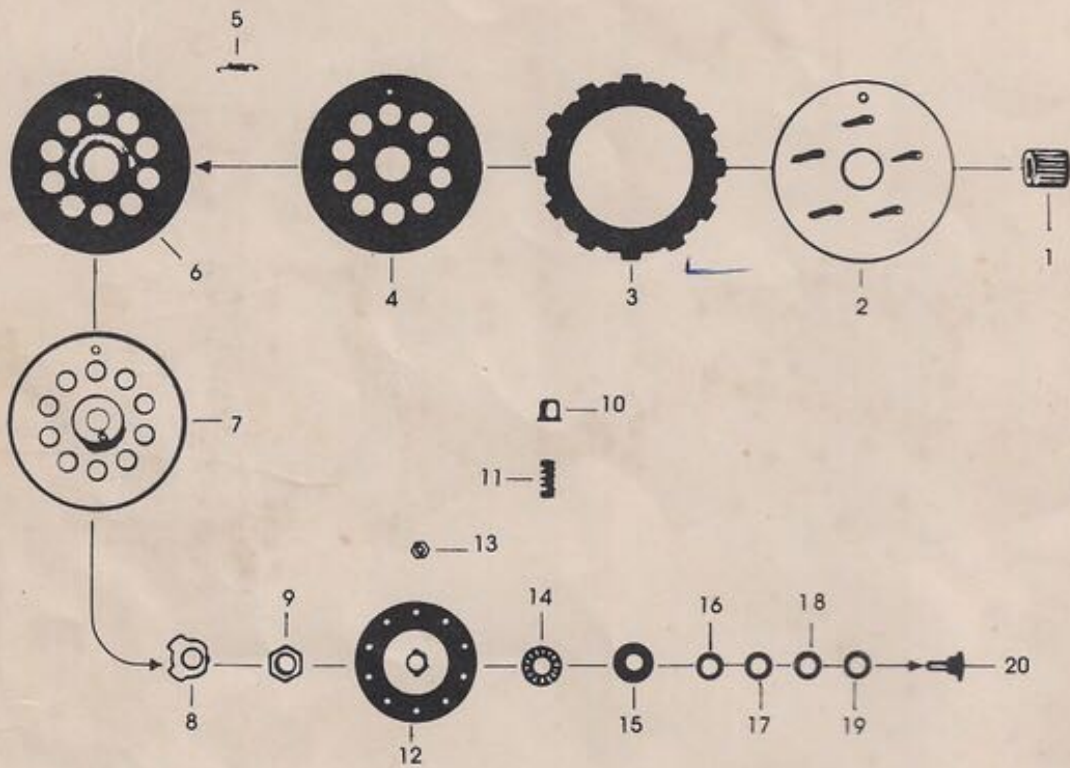
S. No.	Part No.	Description	No. off
25.	267-05-310-19	Washer 20.2 × 28 × 0.1	AR
26.	267-05-315-19	Washer 20.2 × 28 × 0.2	AR
27.	267-05-312-19	Washer 20.2 × 28 × 1.0	AR
28.	267-05-313-19	Washer 20.2 × 28 × 0.5	AR
29.	PEZ 1453-01-4	Drive Sprocket 16T	1
30.	276-05-119-15	Hex Nut M15 × 1	1
31.	285-05-341-15	Spacer Ring 18 × 22 × 2	1
32.	267-05-104-15	Tension Spring	1
33.	267-05-102-15	Locking Pin	2



S. No.	Part No.	Description	No. off
1.	285-05-710-13	Foot shift shaft assy	1
2.	285-05-618-15	Foot shift spindle assy	1
3.	267-05-125-15	Locking pin	1
4.	267-05-126-15	Compression spring	1
5.	PEZ 0921-27-4	Round Head Rivet 2.6 × 6	1
6.	267-05-586-15	Shift Pawl	2
7.	267-05-585-14	Compressing Spring	1
8.	PEZ 0795-22-4	External circlip 16 × 1	1
9.	267-05-244-19	Washer 16.2 × 22.8 × 0.1	AR
10.	285-05-256-14	Ratchet Holder	1
11.	278-05-100-14	Torsion Spring	1
12.	PEZ-3032-01-3	Gear slide bush	1
13.	PEZ-2648-01-3	Gear change lever	1
14.	280-05-175-14	Rubber cover	1
15.	PEZ 0845-08-4	Hex Screw M6 × 16	1
16.	285-05-322-19	'O' Ring 30 × 2.5	1
17.	PEZ-2649-01-3	Gear change lever assy	1
18.	PEZ-2653-01-4	Connecting link	1
19.	PEZ-2651-01-4	Link plate	1
20.	PEZ-3006-01-4	Shoulder pin	2
21.	PEZ-3007-32-4	Collar bush	2
22.	PEZ-1099-25-4	Split pin	2
23.	PEZ-2996-32-4	Plastic bush	1
24.	PEZ-0833-21-4	Washer	2
25.	265-05-296-19	Washer	2
26.	267-05-112-14	Adjusting Bell	1
27.	267-05-113-15	Washer	2
28.	PEZ 0894-11-4	Slotted Pan Head Screw M6 × 16	2
29.	267-05-130-15	Rubber Sleeve	1
30.	266-05-192-19	'O' Ring	1

CLUTCH ASSEMBLY

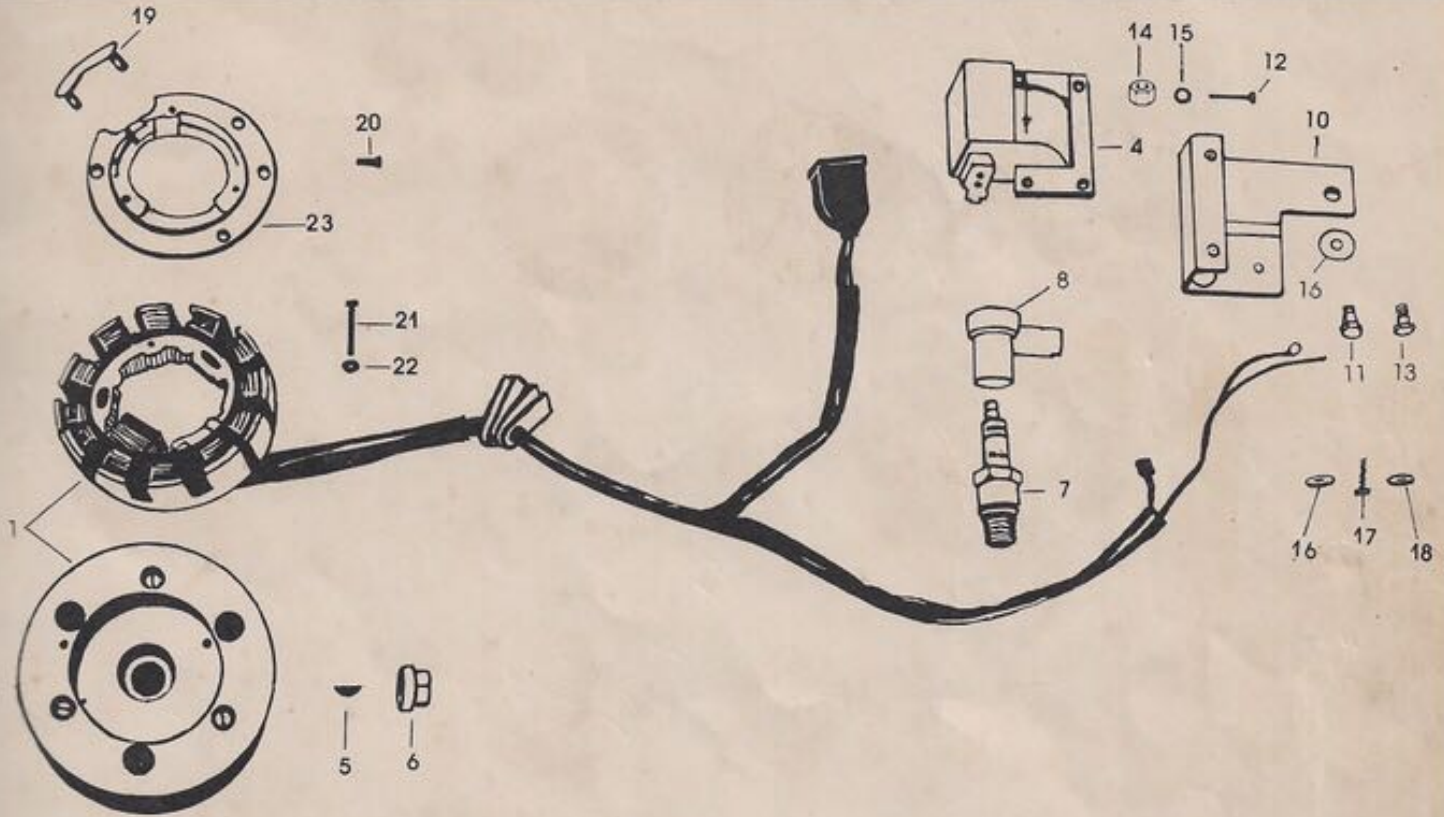
PLATE : 11 ✓



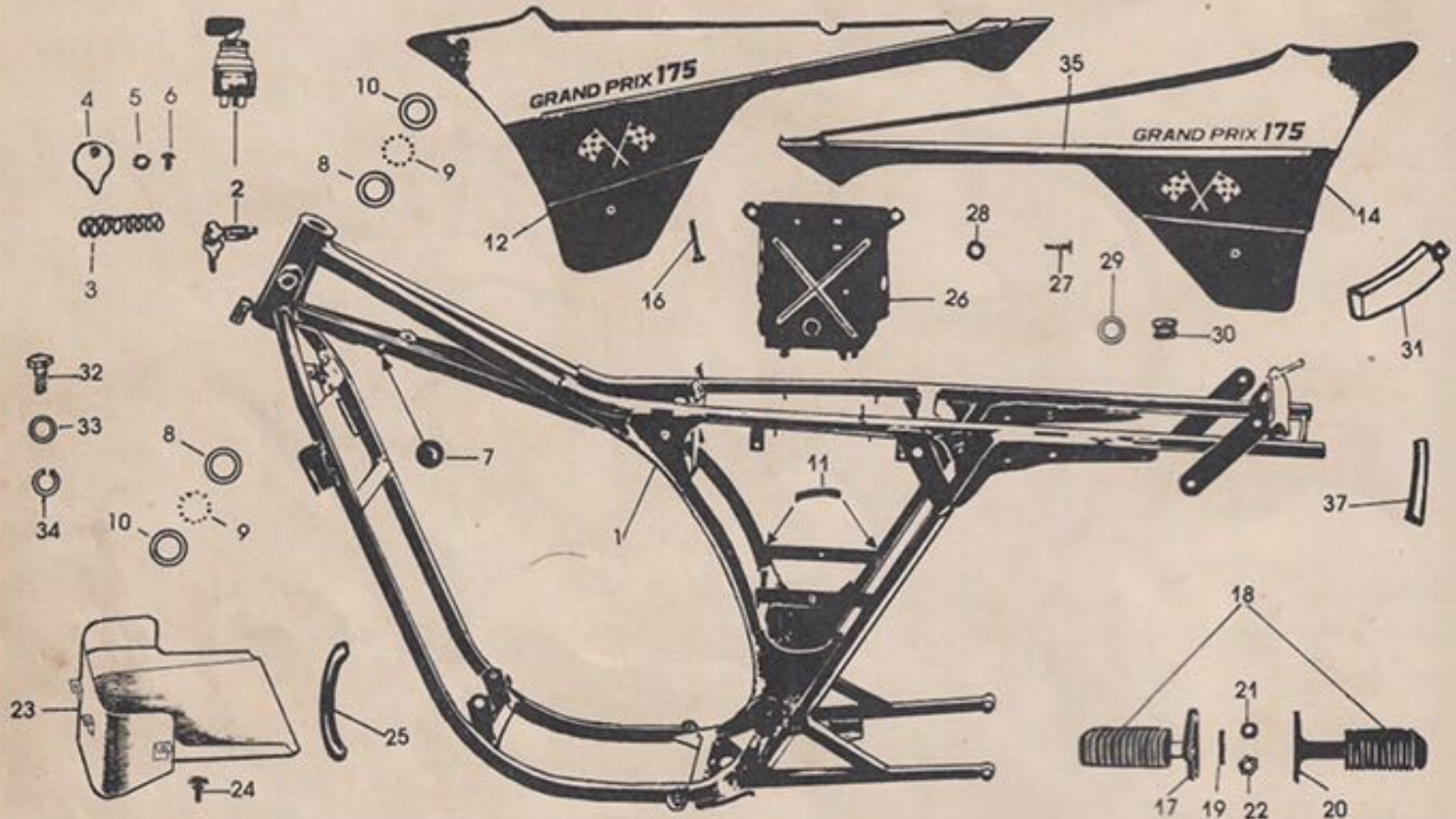
S. No.	Part No.	Description	No. off
1.	285-06-101-14	Clutch pinion	1
2.	285-06-600-15	Back plate assy	1
3.	288-06-600-13	Clutch Friction Disc	5
4.	285-06-124-14	Clutch plate	3
5.	285-06-122-14	Tension Spring	2
6.	285-06-125-14	Clutch Plate	1
7.	265-06-127-14	Cover plate	1
8.	284-06-104-15	Lock plate	1
9.	265-06-202-15	Hex Nut M12 × 1	1
10.	261-06-155-15	Spring sleeve	10
11.	285-06-107-15	Clutch spring	10
12.	285-06-108-14	Pressure plate	1
13.	PEZ 0835-14-4	Hex Nut M4 × 8	5
14.	285-06-115-15	Axial Needle bearing 10 × 24	1
15.	285-06-116-15	Washer 13 × 24 × 1	1
16.	285-06-111-15	Washer 10.1 × 18 × 0.1	AR
17.	285-06-112-15	Washer 10.1 × 18 × 0.2	AR
18.	285-06-113-15	Washer 10.1 × 18 × 0.4	AR
19.	285-06-114-15	Washer 10.1 × 18 × 0.8	AR
20.	285-06-605-14	Thrust pin assy	1

MAGNETO – IGNITION COIL

PLATE : 12

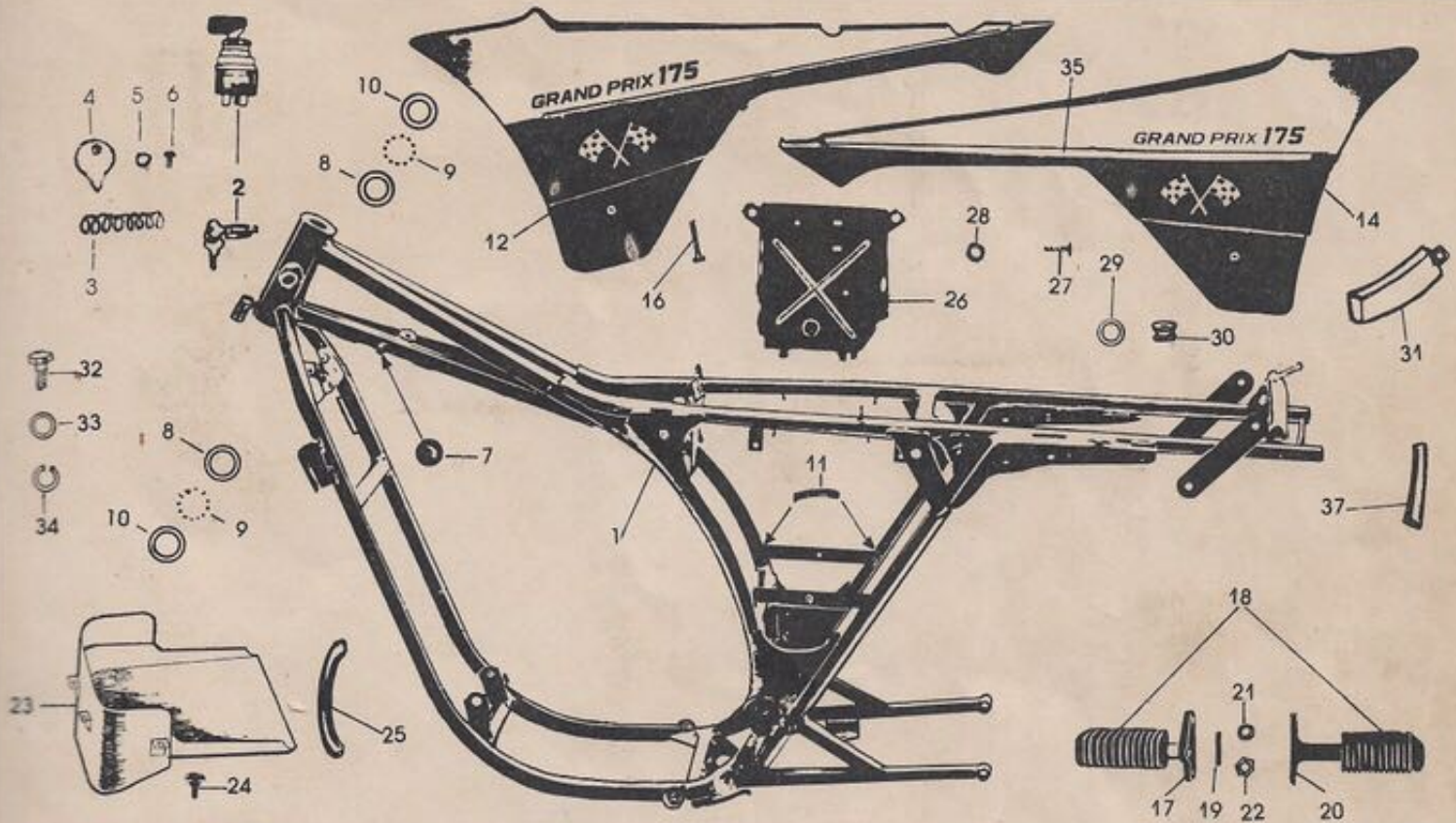


S. No.	Part No.	Description	No. off
1.	PEZ-3213-29-2	Integral magneto (12 Pole)	1
2.	PEZ-1912-29-4	CDI Unit	1
3.	PEZ-2379-29-3	ET coil comp	1
4.	PEZ-1276-29-4	Electronic ignition coil	1
5.	PEZ-0930-31-4	Woodruff key 3×3.7	1
6.	285-07-135-15	Nut M12×1	1
7.	PEZ-1685-01-4	Spark plug	1
8.	PEZ-0504-32-4	Spark plug cap	1
9.	PEZ-2400-01-4	Bracket assy (ET coil)	1
10.	PEZ-1315-01-4	Bracket assy (ET coil)	AR
11.	PEZ-0870-08-4	Hex screw M6×8	1
12.	PEZ-1020-08-4	Hex screw M6×20	1
13.	PEZ-0870-08-4	Hex screw M6×8	AR
14.	PEZ-0945-14-4	Hex nut M6	2
15.	PEZ-0824-18-4	Washer A6.4	2
16.	PEZ-0833-21-4	Undulated washer A6	2
17.	PEZ-1374-08-4	Hex screw M5×20	2
18.	PEZ-0814-18-4	Washer A 5.3	2
19.	285-07-129-15	Clamping plate	1
20.	PEZ-1257-13-4	Slotted counter sunk screw	4
21.	PEZ-1256-10-4	Slotted cheese head screw	3
22.	284-07-124-19	Washer	3
23.	PEZ 1274-01-4	Adaptor plate	1

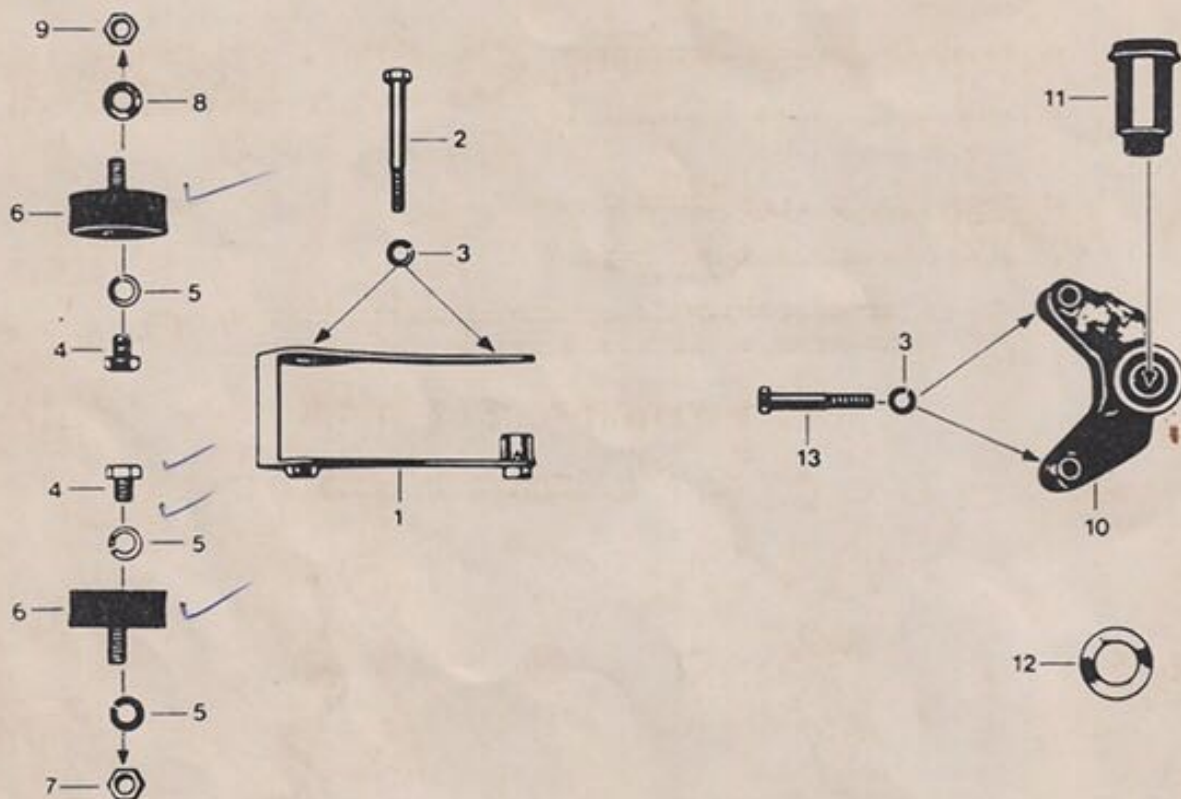


S. No.	Part No.	Description	No. off
1.	PEZ-2226-01-0	Frame assy	1
2.	PEZ-2988-01-3	Steering lock with ignition Switch	1
3.	517-10-227-15	Compression spring	1
4.	517-10-181-15	Cover (lock)	1
5.	PEZ-0830-21-4	Undulated washer	1
6.	PEZ-1071-27-4	Hammer drive rivet	1
7.	521-10-140-15	Damper (petrol tank)	2
8.	521-13-110-14	Frame runner ring	2
9.	PEZ-0906-28-4	Ball 06 Class III	36
10.	PEZ-1814-04-4	Fork runner ring	2
11.	PEZ-3194-30-4	Sleeve	4
12.	PEZ-3282-01-4	Side cover LH comp BI/Red	1
13.	PEZ-3283-01-1	Side cover LH comp BI/Gr	1
14.	PEZ-3284-01-1	Side cover RH comp BI/Red	1
15.	PEZ-3285-01-1	Side cover RH comp BI/Gr	1
16.	PEZ-3250-13-4	Truss head screw M6x50	2
17.	PEZ-2661-01-4	Foot rest plate LH	1
18.	PEZ-3017-30-3	Square foot rest rubber	2
19.	PEZ-3019-26-4	Spring dowel 5x22	2
20.	PEZ-2754-01-3	Foot rest plate RH	1
21.	PEZ-0831-21-4	Undulated washer A10	4
22.	PEZ-0840-14-4	Hex nut M10	4
23.	PEZ-2694-01-2	Cover assy	1
24.	PEZ-2689-30-4	Rubber button	2

FRAME - SIDE COVER - STEERING BEARING ASSY



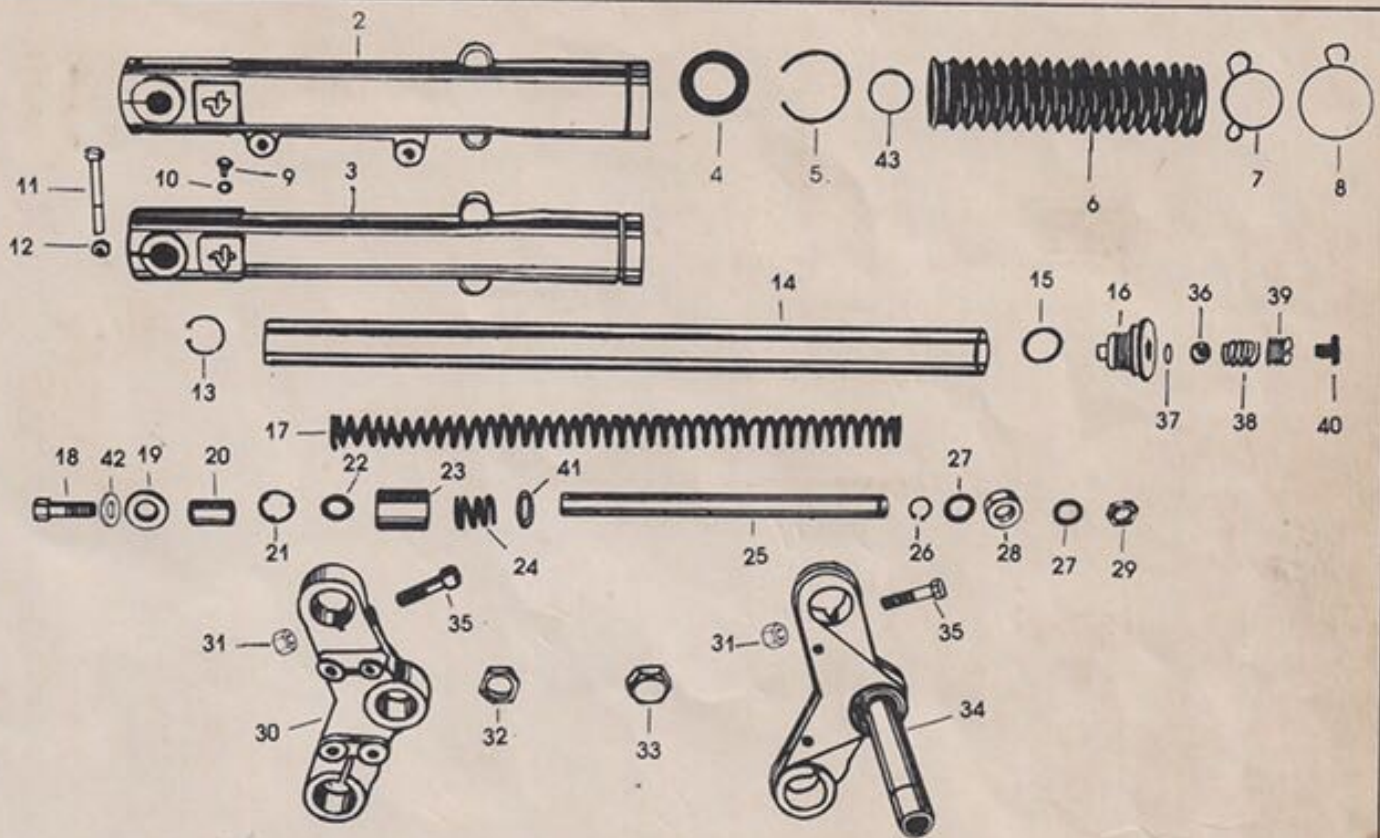
S. No.	Part No.	Description	No. off
25.	521-10-169-15	Rubber rope	1
26.	521-16-682-13	Electrical box assy	1
27.	PEZ-0890-10-4	Slotted cheese head screw	2
28.	400-20-106-19	Washer	2
29.	PEZ-0834-21-4	Undulated washer B6	2
30.	520-12-282-15	Cable grommet	5
31.	PEZ-3286-01-2	Tool box	1
32.	PEZ-0861-08-4	Hex screw M6×12	1
33.	PEZ-0824-18-4	Washer A6.4	1
34.	PEZ-0819-19-4	Spring washer B6	1
35.	PEZ-3217-01-4	Side cover sticker med grey	2
36.	PEZ-3218-01-4	Side cover sticker white	3
37.	PEZ-5084-32-4	Strap	3



S. No.	Part No.	Description	No. off
1.	520-18-615-13	Engine support front	1
2.	PEZ 0849-08-4	Hex Bolt M8 × 75	2
3.	PEZ 0818-19-4	Spring Washer	4
4.	PEZ 0847-08-4	Hex Screw M10 × 12	2
5.	PEZ 0817-19-4	Spring Washer	3
6.	521-18-601-15	Buffer	2
7.	PEZ 0840-14-4	Hex Nut M10	1
8.	PEZ 0817-19-4	Spring Washer	1
9.	PEZ 0840-14-4	Hex Nut M10	1
10.	520-18-703-14	Engine suspension rear	1
11.	PEZ-1800-01-4	Elastic Bush	1
12.	520-18-118-15	Washer 23 × 38 × 4.5	1
13.	PEZ 0850-08-4	Hex Bolt M8 × 55	2

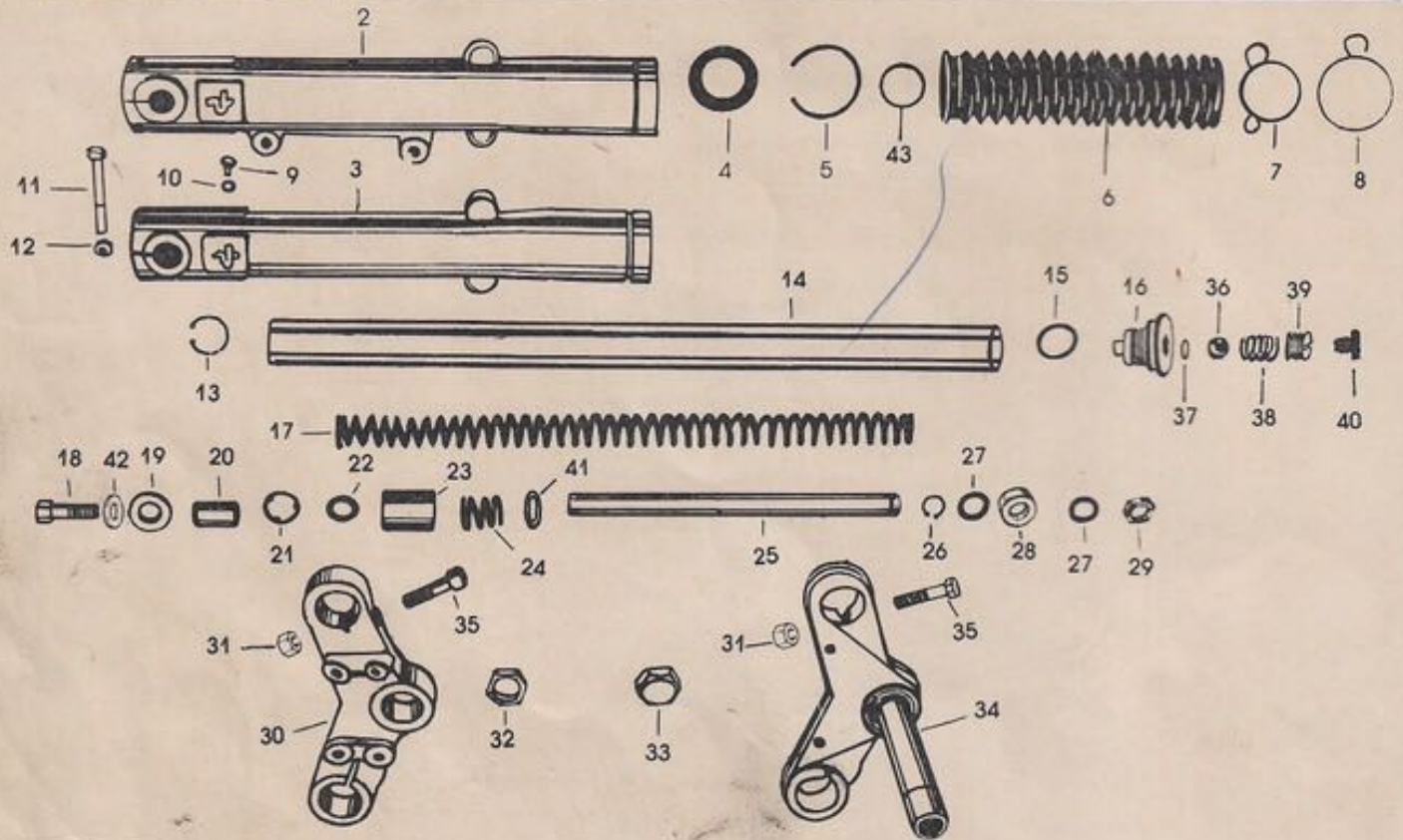
FRONT SUSPENSION

PLATE : 15

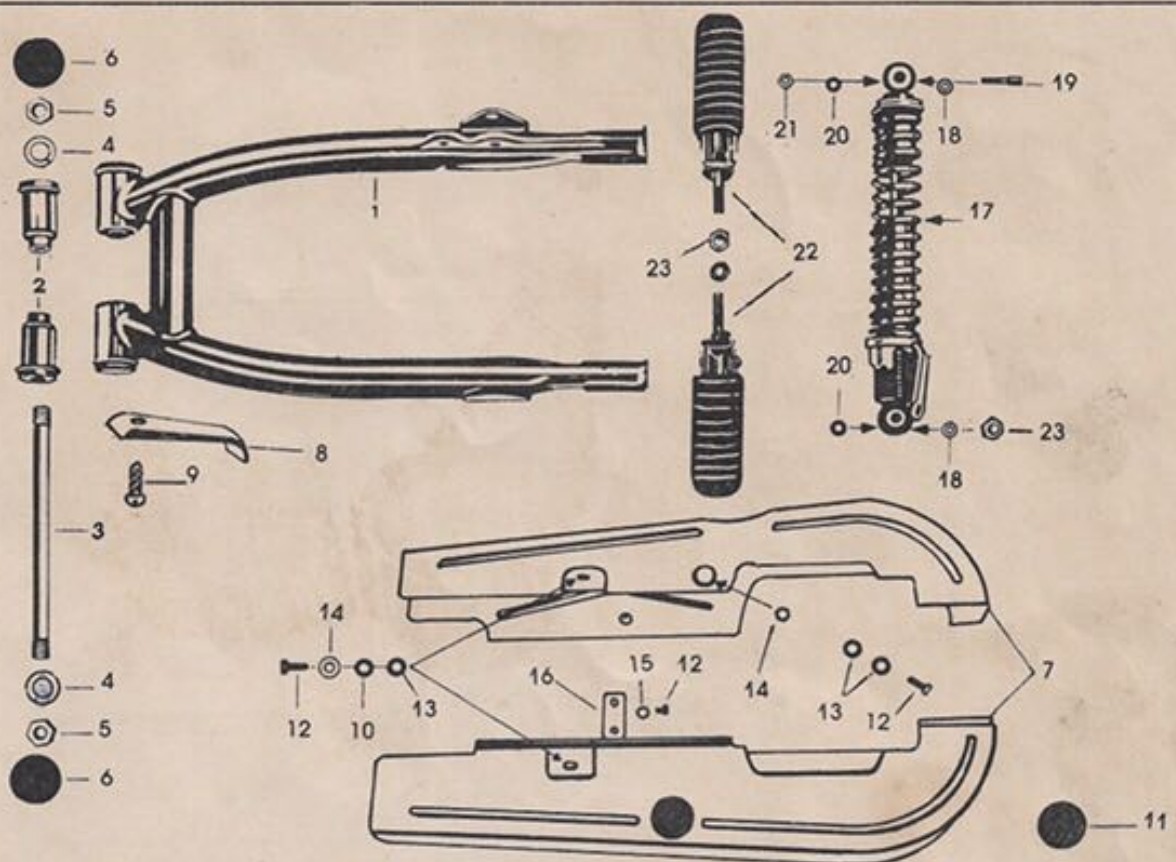


S. No.	Part No.	Description	No. off
1.	PEZ-2666-01-0	Front fork complete	1
2.	PEZ 1423-01-2	Bottom tube LH	1
3.	PEZ 1424-01-2	Bottom tube RH	1
4.	PEZ 1426-30-4	Oil seal	4
5.	PEZ 1425-24-4	Oil seal retaining ring	2
6.	PEZ-3215-30-3	Bellow	2
7.	PEZ-3214-01-4	Wire clamp upper	2
8.	PEZ 1422-01-4	Ring clamp - bottom	2
9.	PEZ 1668-10-4	Oil drain plug M6×7	2
10.	PEZ 1466-18-4	Drain washer	2
11.	PEZ-0854-08-4	Pinch bolt M8×60	2
12.	PEZ 0843-16-4	Self lock nut - M8	2
13.	PEZ 0791-23-4	Internal Circlip 30×1.2	2
14.	PEZ 1419-01-4	Fork Main tube	2
15.	PEZ 1417-30-4	'O' ring	2
16.	PEZ 1416-01-4	Fork Screw top	2
17.	PEZ 1420-01-4	Compression Spring	2
18.	PEZ 1437-09-4	Hex Socket head cap screw M12×35	2
19.	PEZ-2669-32-4	Damper tube washer	2
20.	PEZ 1435-01-4	Damper tube seat	2
21.	PEZ 1428-01-4	Piston Segment	2
22.	PEZ 1432-01-4	Non return valve	2
23.	PEZ 1429-01-4	Piston	2
24.	PEZ 1430-01-4	Return Spring	2
25.	PEZ 1434-01-4	Damper tube	2
26.	PEZ-0795-22-4	External circlip 16×1	2

FRONT SUSPENSION



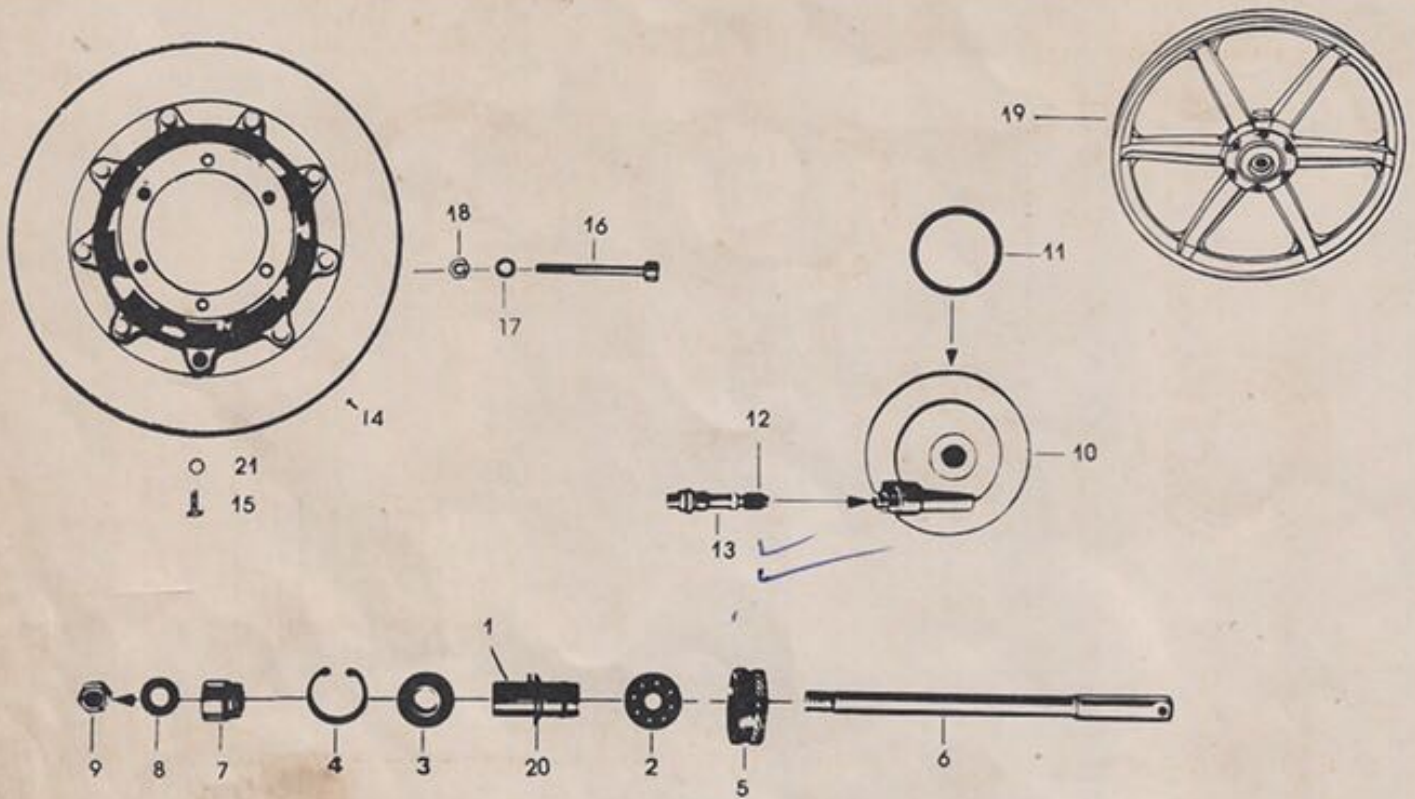
S. No.	Part No.	Description	No. off
27.	PEZ 1427-18-4	Piston retaining washer	4
28.	PEZ 1433-01-4	Damper tube guide	2
29.	PEZ 1456-14-4	Special Nut	1
30.	PEZ-2508-01-2	Fork crown top	1
31.	PEZ-2598-14-4	Hex nut M10	4
32.	519-12-110-15	Ball nut	1
33.	520-12-143-4	Screw cap nut	1
34.	PEZ-2594-01-3	Fork crown bottom assy	1
35.	PEZ-2576-08-4	Hex bolt M10x60	4
36.	PEZ-1703-28-4	Ball 01/4	2
37.	PEZ-1467-30-4	O'ring	2
38.	PEZ-1441-01-4	Air vent valve spring	2
39.	PEZ-1442-13-4	Air vent valve screw	2
40.	PEZ-1418-32-4	Cap	2
41.	PEZ-1431-18-4	Spring seat washer	2
42.	PEZ-1436-21-4	Aluminium washer	2
43.	PEZ-2665-32-4	Ring	2



S. No.	Part No.	Description	No. off
1.	PEZ-2778-01-3	Swing arm assy complete	1
2.	PEZ-1800-01-4	Elastic bush	2
3.	520-14-216-15	Spindle	1
4.	PEZ 0820-19-4	Spring washer B 16	2
5.	520-14-217-19	Hex. nut M15 × 1	2
6.	520-14-237-15	Cap	2
7.	PEZ-2800-01-1	Chainguard complete	1
8.	PEZ-2776-32-4	Chain guide	1
9.	PEZ-1072-27-4	Hammer drive screw	1
10.	PEZ-1013-18-4	Washer 0.5	4
11.	PEZ 1640-30-4	Inspection cap - chainguard	1
12.	PEZ 0861-08-4	Hex. bolt M6 × 12	8
13.	PEZ 1641-30-4	Rubber washer	4
14.	PEZ 0810-18-4	Plate washer	6
15.	PEZ 0819-19-4	Spring washer	2
16.	PEZ 1642-01-4	Connecting piece	1
17.	PEZ-3306-01-9	Shock absorber complete	2
18.	PEZ 0832-21-4	Undulated washer B8	2
19.	PEZ 0855-08-4	Hex. screw M8 × 40	2
20.	PEZ 0813-18-4	Washer A8.4	2
21.	561-17-111-19	Stover lock nut	2
22.	PEZ-2970-01-2	Pillion foot rest	2
23.	519-15-119-19	Stover lock nut M10	4

FRONT WHEEL ASSY

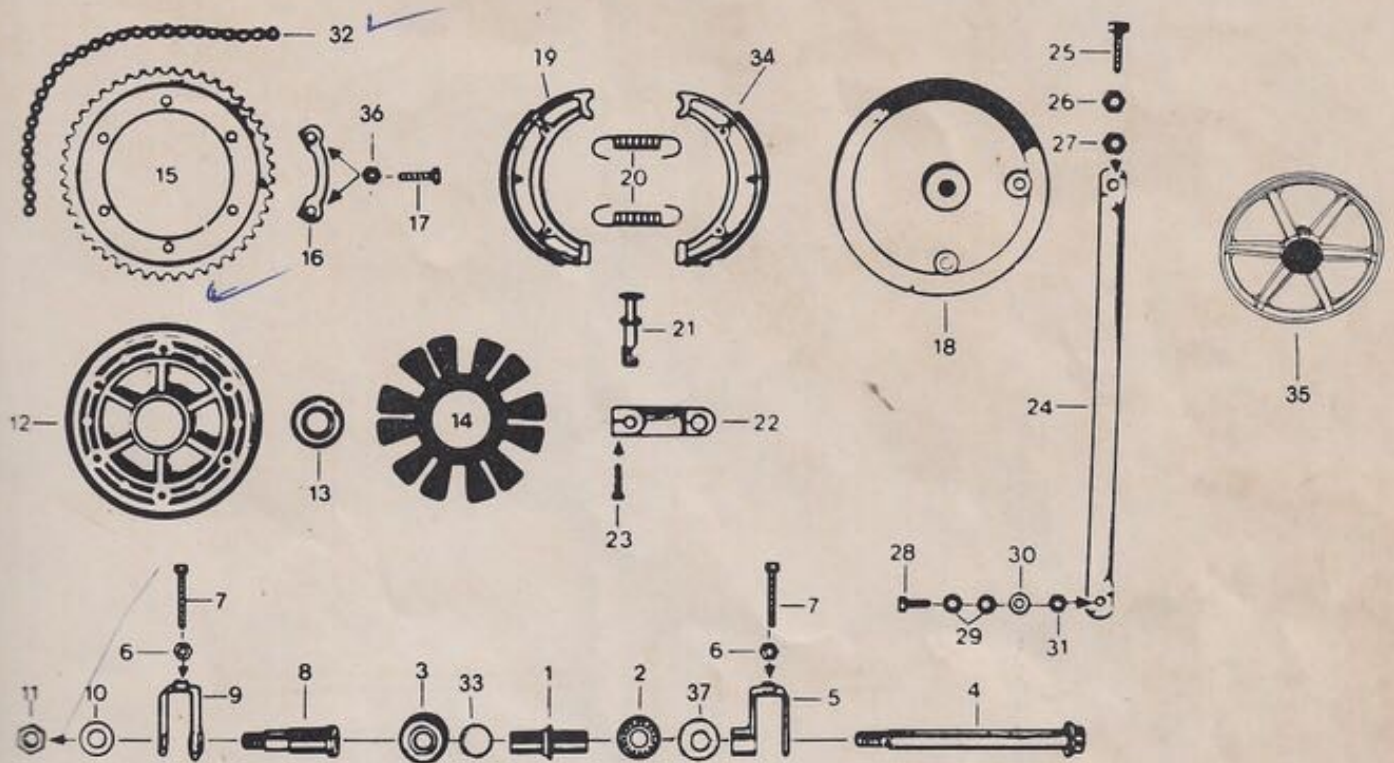
PLATE : 17



S. No.	Part No.	Description	No. off
1.	PEZ 0642-01-4	Spacer tube	1
2.	PEZ-0991-28-4	Ball bearing 6203 C3 17 × 40 × 12	1
3.	PEZ 0913-28-4	Ball bearing 6203 Z 17 × 40 × 12	1
4.	PEZ 0792-23-4	Internal circlip 40 × 1.75	1
5.	PEZ 0606-01-3	Speedo drive wheel	1
6.	PEZ 0589-01-3	Front wheel Axle	1
7.	PEZ 0590-01-4	Bush	1
8.	PEZ 0811-18-4	Washer AM 15	1
9.	433-15-131-19	Hex. nut M14 × 1	1
10.	PEZ 0680-01-3	Speedo drive cover plate assy.	1
11.	PEZ 0603-30-4	Cover plate sealing ring	1
12.	PEZ 0594-01-4	Speedo drive spindle	1
13.	PEZ 0574-01-3	Speedo drive adaptor	1
14.	521-15-734-12	Brake disc assy.	1
15.	PEZ-1852-08-4	Hex screw M6 × 14	9
16.	PEZ 0878-09-4	Hex. socket head cap screw M8 × 80	6
17.	PEZ 0812-18-4	Washer 8.4	6
18.	561-17-111-19	Stover lock nut M8	6
19.	PEZ 0699-01-3	Front wheel assy.	1
20.	PEZ-0377-01-4	Ring spacer tube	1
21.	PEZ-0826-20-4	Internally toothed washer	9

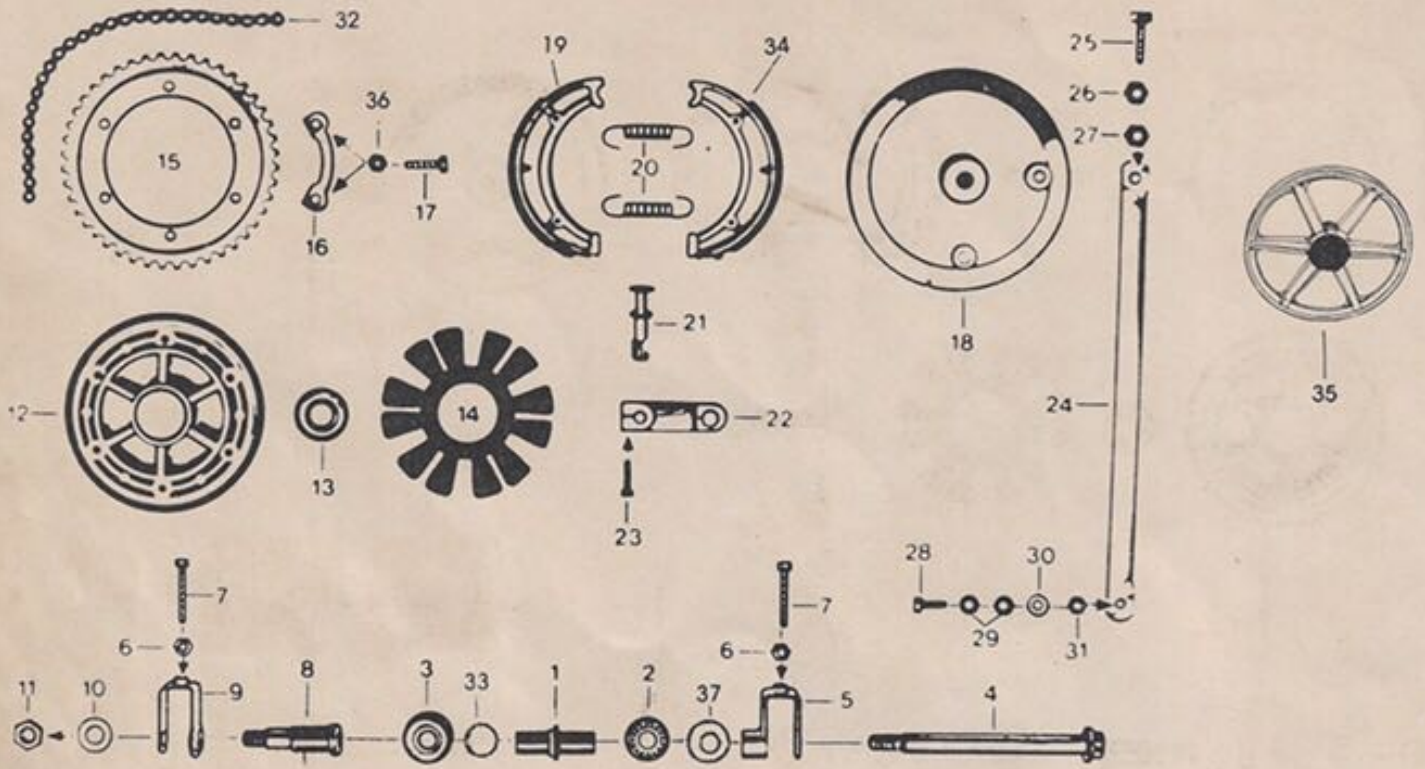
REAR WHEEL ASSY

PLATE : 18

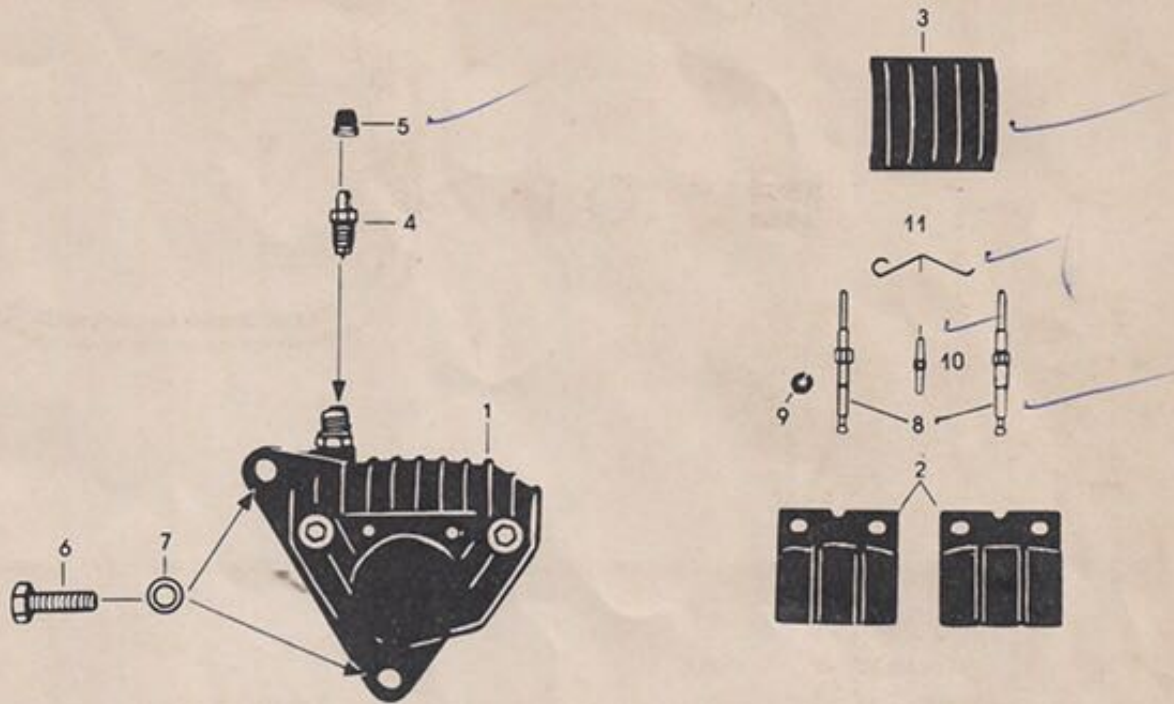


S. No.	Part No.	Description	No. off
1.	PEZ 0375-01-4	Spacer tube	1
2.	PEZ-5010-28-4	Ball bearing 6202 C3 15 × 35 × 11	1
3.	PEZ 0916-28-4	Ball bearing 6302 Z 15 × 42 × 13	1
4.	521-15-154-14	Rear hub spindle	1
5.	520-15-614-14	Chain tensioner RH	1
6.	PEZ 0838-14-4	Nut M7	2
7.	PEZ 1289-08-4	Hex. screw M7 × 50	2
8.	PEZ 0613-01-3	Stub Axle	1
9.	521-15-603-14	Chain tensioner LH	1
10.	PEZ 0811-18-4	Washer A15	1
11.	433-15-131-19	Hex. nut M14 × 1	1
12.	PEZ-1550-01-4	Hub flange	1
13.	PEZ 0917-28-4	Ball bearing 6004z (20 × 42 × 12)	2
14.	PEZ 0619-30-3	Carrier rubber	1
15.	521-15-137-13	Sprocket 43T	1
16.	PEZ 0618-01-4	Lock plate	3
17.	PEZ 0857-08-4	Hex. screw M7 × 30	6
18.	PEZ 0614-01-2	Brake cover plate	1
19.	PEZ 0624-01-4	Leading brake shoe assy.	1
20.	PEZ-2244-01-4	Tension spring	2
21.	PEZ 0615-01-4	Rear brake cam	1
22.	PEZ 0645-01-4	Rear brake lever assy.	1
23.	PEZ 0859-08-4	Hex. screw M6 × 25	1
24.	521-15-607-14	Anchor plate	1
25.	PEZ 0858-08-4	Hex. screw M10 × 35	1

REAR WHEEL ASSY



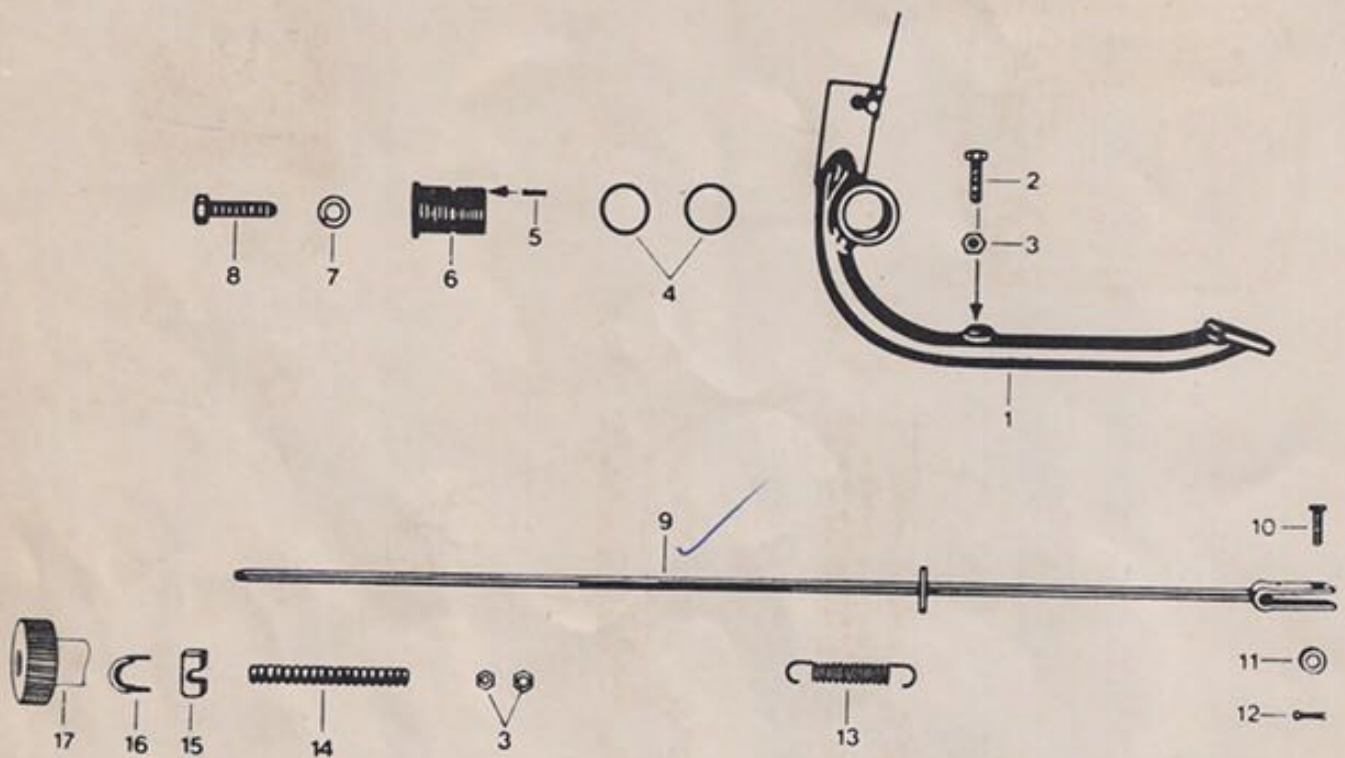
S. No.	Part No.	Description	No. off
26.	PEZ 1261-14-4	Nut M10	1
27.	519-15 119-19	Stover lock nut	1
28.	PEZ 0866-08-4	Hex. screw M8 × 22	1
29.	520-14-143-19	Rubber washer 8.5 × 17 × 1.5	2
30.	PEZ 0813-18-4	Washer A 8.4	1
31.	561-17-111-19	Stover lock nut M8	1
32.	521-18-600-19	Chain 1/2" × 5/16" (112 links)	1
33.	PEZ 0376-01-4	Ring spacer tube	1
34.	PEZ 0654-01-4	Trailing brake shoe assy.	1
35.	PEZ 0698-01-3	Rear wheel assy.	1
36.	PEZ-2181-16-4	Self locking nut M7	6
37.	PEZ-0643-18-4	Washer	1



S. No.	Part No.	Description	No. off
1.	521-15-735-12	Brake caliper assy.	1
2.	PEZ-1878-01-4	Brake liner set	1
3.	PEZ-1871-32-2	Cover	1
4.	PEZ-1884-01-4	Nipple	1
5.	PEZ-1885-01-4	Rubber cap	1
6.	PEZ0852-08-4	Hex. screw M10 × 30	2
7.	PEZ0817-19-4	Spring washer B10	2
8.	PEZ-1875-01-4	Guide pin	2
9.	PEZ-1876-01-4	Circlip	2
10.	PEZ-1874-01-4	Centre pin	1
11.	PEZ-1873-01-4	Holding spring	1

FOOT BRAKE ASSY

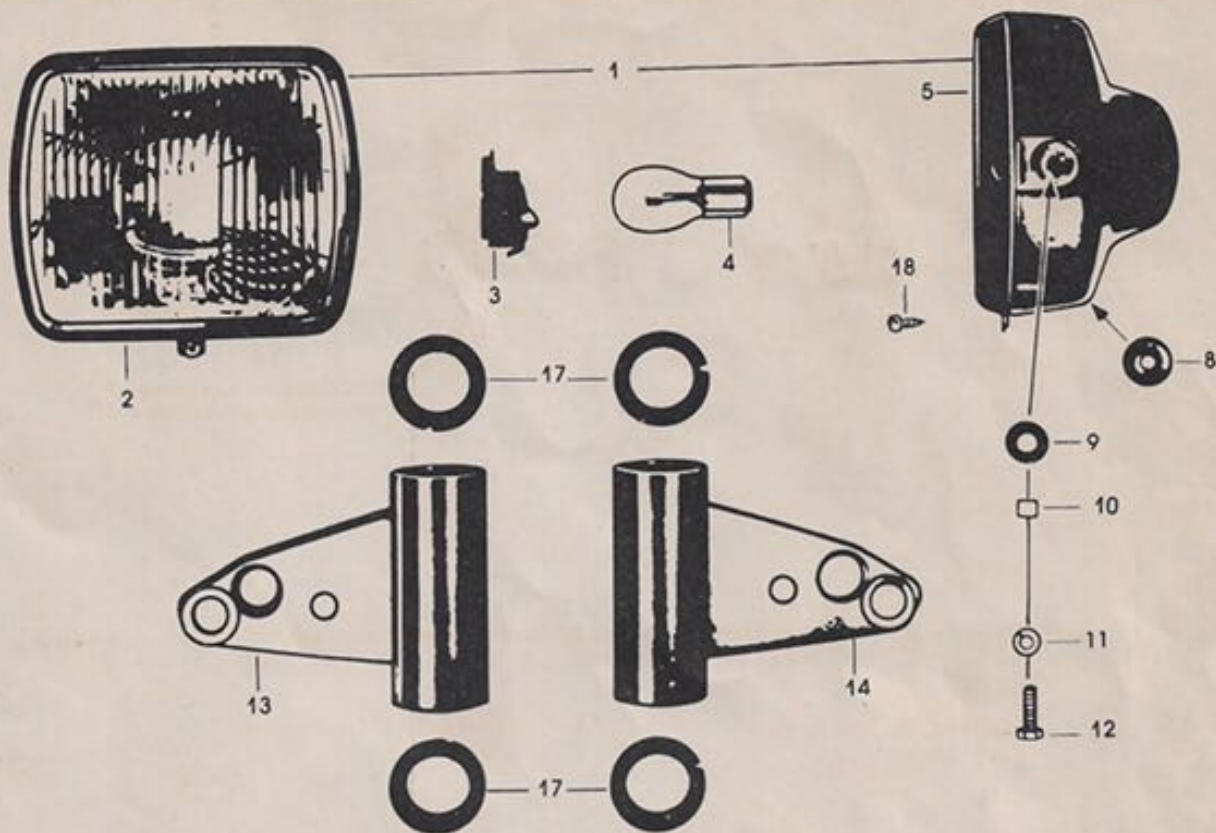
PLATE : 20



S. No.	Part No.	Description	No. off
1.	PEZ-5445-01-3	Foot Brake Lever Assy	1
2.	PEZ 0864-08-4	Hex Screw M6 × 22	1
3.	PEZ 0945-14-4	Hex Nut M6	1
4.	520-17-141-15	Rubber Ring	3
5.	PEZ 0799-26-4	Spring Dowel 3 × 12	2
6.	520-17-179-14	Bearing Sleeve	1
7.	PEZ 0818-19-4	Spring Washer B8	1
8.	PEZ 0865-08-4	Hex Bolt M8 × 35	1
9.	521-17-611-14	Brake Rod Assy	1
10.	519-17-106-15	Clevis Pin	1
11.	PEZ 0810-18-4	Washer A 6.4	1
12.	PEZ 0919-25-4	Split Pin (2 × 12)	1
13.	529-17-105-14	Tension Spring	1
14.	519-17-110-15	Spring	1
15.	521-17-113-15	Trunnion Pin	1
16.	433-17-100-15	Lock Plate	1
17.	448-17-125-14	Knurled Nut	1

HEAD LAMP ASSY

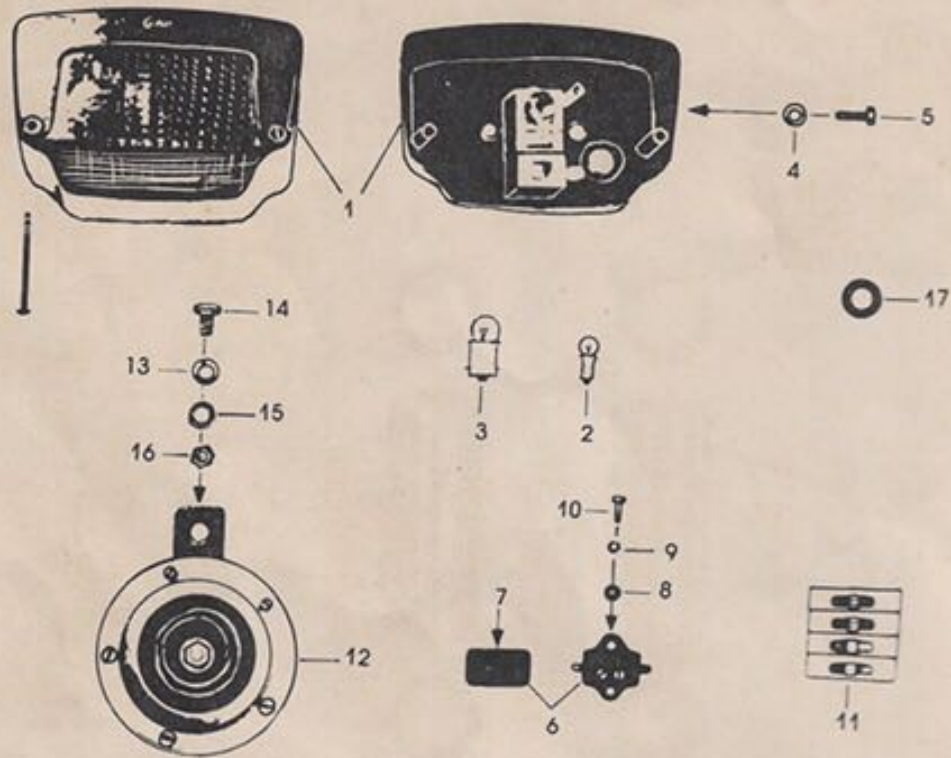
PLATE : 21



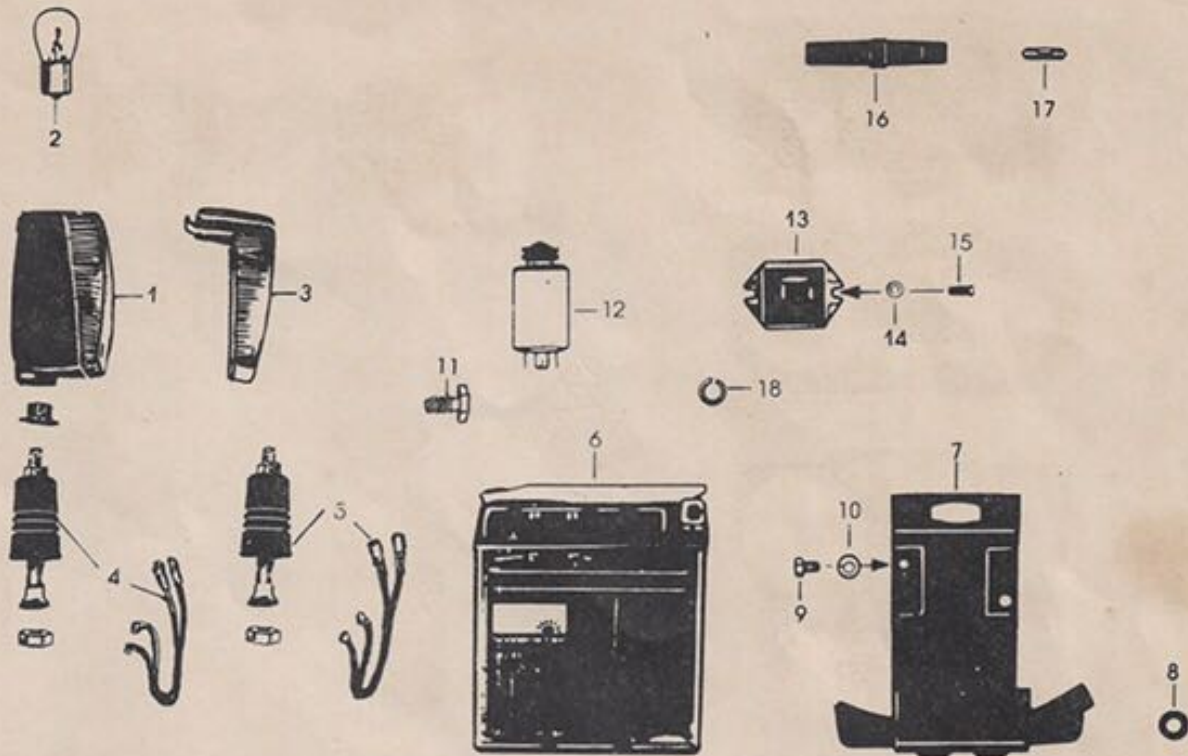
S. No.	Part No.	Description	No. off
1.	PEZ 0741-01-2	Headlamp unit	1
2.	PEZ-2671-29-2	Headlamp light unit	1
3.	PEZ 1039-29-9	Bulb holder	1
4.	PEZ 0926-29-4	Bulb 35/35W	1
5.	PEZ 1531-01-4	Headlamp housing (Red)	1
6.	PEZ 1532-01-4	Headlamp housing (Silver grey)	1
7.	PEZ 1765-01-4	Headlamp housing (Blue)	1
8.	517-16-239-15	Cable grommet	1
9.	521-16-324-15	Grommet	2
10.	521-16-327-15	Bush	2
11.	PEZ 0818-19-4	Spring washer B8	2
12.	PEZ 0869-08-4	Hex. screw M8 × 25	2
13.	PEZ-1473-01-4	Head lamp holder LH-Black	1
14.	PEZ-1474-01-4	Head lamp holder RH-Black	1
15.	PEZ-3287-01-4	Head lamp holder LH-OX BL	1
16.	PEZ-3288-01-4	Head lamp holder RH-OX BL	1
17.	521-16-316-15	Guide bush	4
18.	PEZ 1036-12-4	Pan head screw M5 × 12	1

TAIL LAMP ASSY - HORN

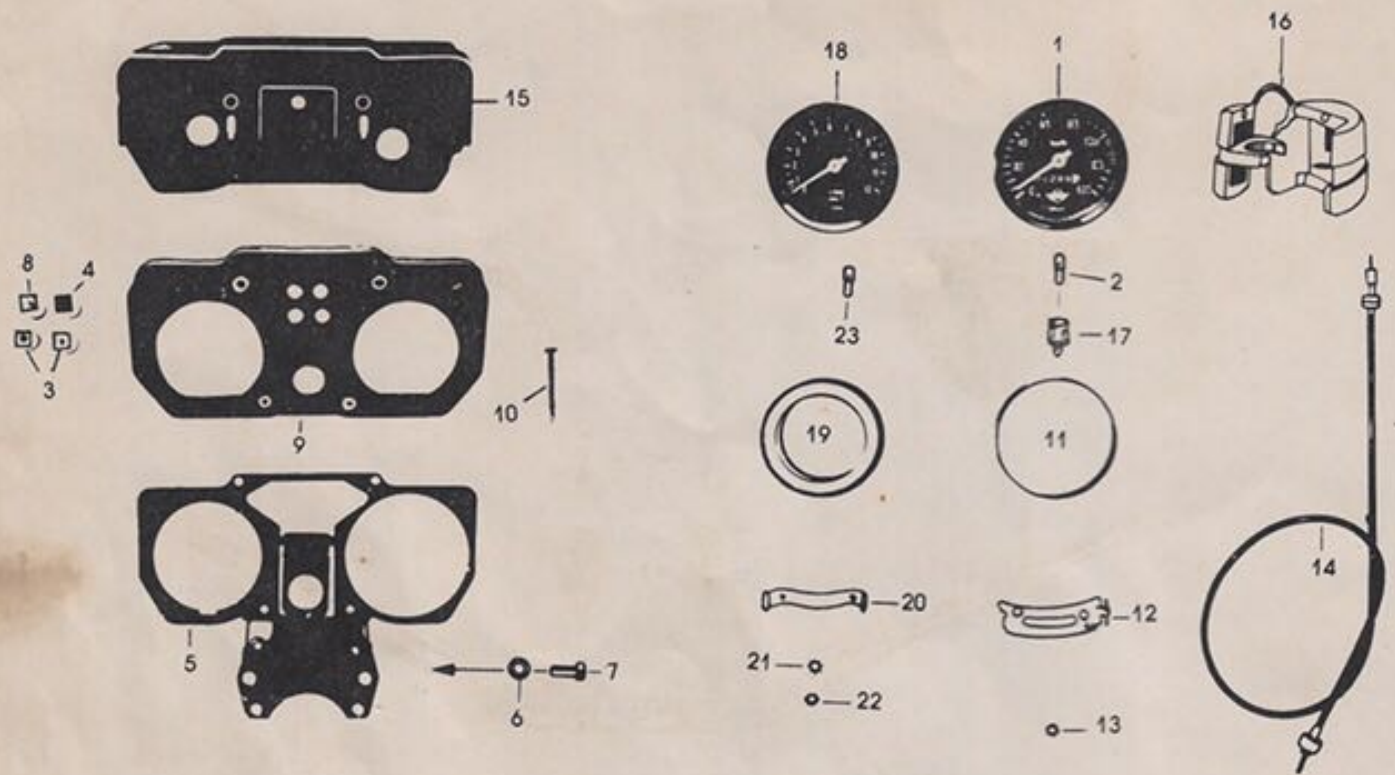
PLATE : 22



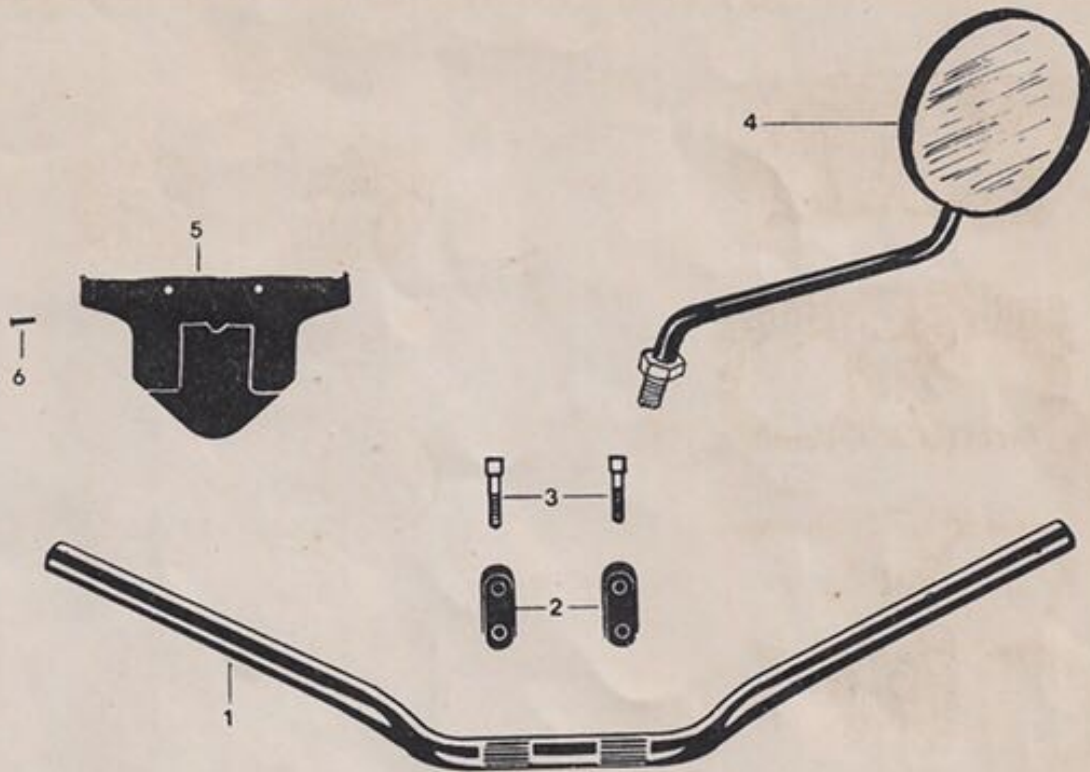
S. No.	Part No.	Description	No. off
1.	PEZ 2301-29-2	Tail lamp assy	1
2.	PEZ 2302-29-4	Tail lamp bulb 6V5W	1
3.	PEZ 0928-29-4	Brake light bulb 6V21W	1
4.	PEZ 0834-21-4	Undulated Washer B6	2
5.	PEZ 0860-08-4	Hex Screw M6 x 18	2
6.	520-16-725-14	Brake light switch	1
7.	520-16-901-19	Cap	1
8.	PEZ 0816-18-4	Washer A 4.3	1
9.	PEZ 0822-19-4	Spring Washer B4	2
10.	PEZ 0889-10-4	Slotted cheese head screw	2
11.	517-16-286-15	4 Pole connector	2
12.	521-16-1700-12	Horn 6V	3
13.	PEZ 0818-19-4	Spring washer B8	1
14.	PEZ-0866-08-4	Hex screw 8x22	1
15.	PEZ-0813-18-4	Washer A8.4	2
16.	PEZ-0839-14-4	Hex nut M8	1
17.	PEZ 1055-20-3	Lens Tail lamp	1



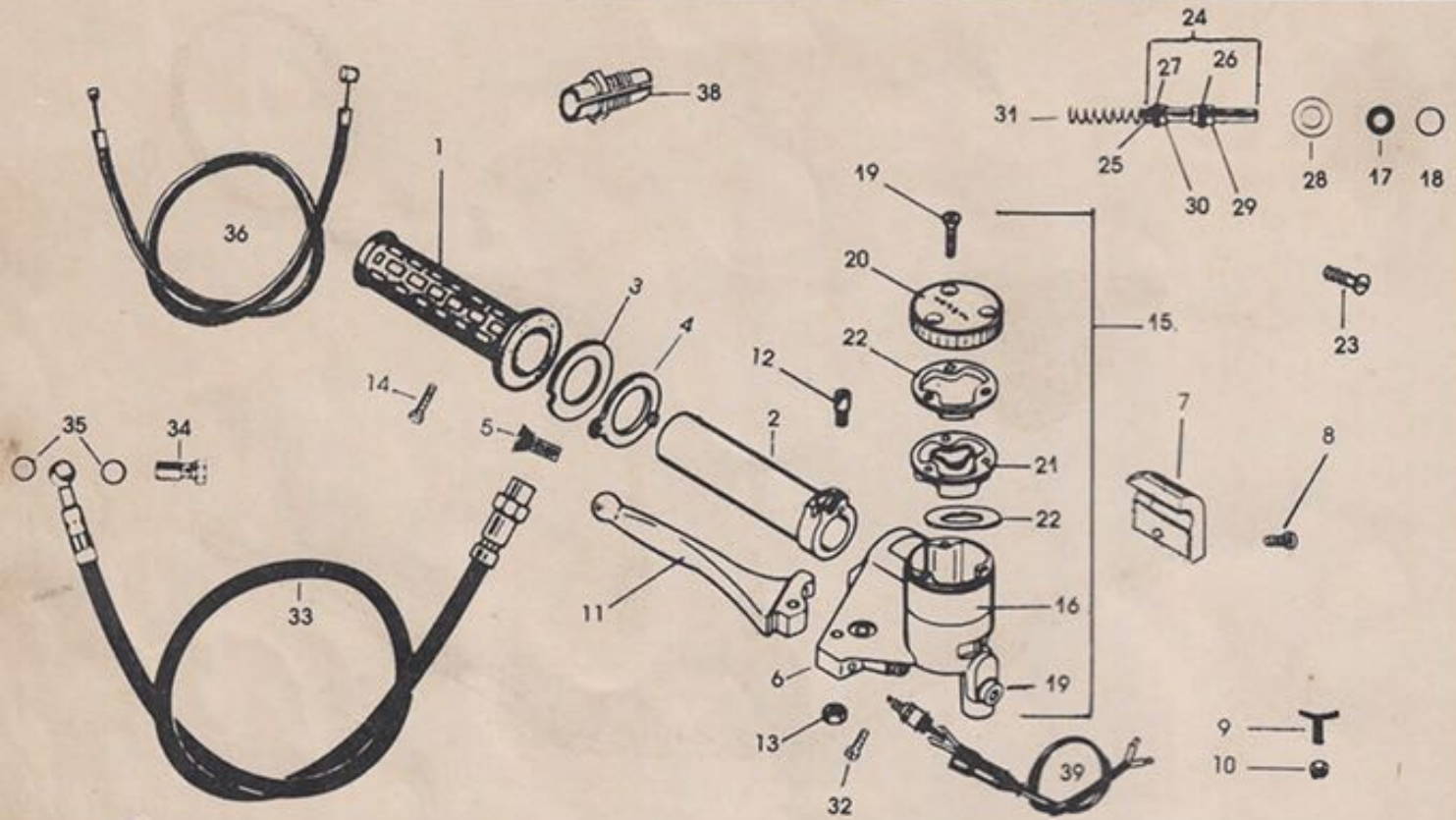
S. No.	Part No.	Description	No. off
1.	PEZ-2870-29-4	Trafficator	4
2.	PEZ 0998-29-4	Bulb 6V10W	4
3.	PEZ 1040-29-4	Trafficator lens	4
4.	PEZ-2872-29-3	Trafficator cable RH	2
5.	PEZ-2871-29-3	Trafficator Cable LH	2
6.	519-16-100-12	Battery 6V11AH	1
7.	521-16-624-13	Battery Holder Complete	1
8.	529-10-166-15	Grommet	1
9.	PEZ 0870-08-4	Hex Screw M6 × 8	2
10.	PEZ 0819-19-4	Spring Washer B6	2
11.	PEZ-1020-08-4	Hex Screw M6×20	1
12.	PEZ 1683-29-3	Flasher Unit	1
13.	517-16-382-13	Electronic Power Regulator	1
14.	PEZ 0816-18-4	Washer A 4.3	2
15.	PEZ 0891-10-4	Slotted cheese head screw AM4 × 10	2
16.	521-16-1754-13	Fuse Holder	1
17.	PEZ 0929-29-4	Fuse A8	1
18.	PEZ-0817-19-4	Spring washer B10	2



S. No.	Part No.	Description	No. off
1.	PEZ 1342-01-2	Speedo meter	1
2.	PEZ 1052-29-4	Bulb 6V	2
3.	PEZ-3029-29-3	Signal lamp-amber	2
4.	PEZ 0769-29-3	Signal lamp blue	1
5.	PEZ-2918-01-3	Support BRKT assy	1
6.	PEZ 0818-19-4	Spring washer B8	2
7.	PEZ 0871-08-4	Hex. screw M8 × 18	2
8.	PEZ-0770-29-3	Signal lamp-green	1
9.	PEZ-2915-32-1	Cover	1
10.	PEZ-3015-12-4	Head tapping screw B10×50	4
11.	529-16-160-15	Spacer ring	1
12.	PEZ 1341-01-4	Fixing bracket	1
13.	PEZ 1344-17-4	Knurled nut M5	2
14.	PEZ-2768-01-3	Speedometer cable	1
15.	448-16-152-11	Cockpit housing	1
16.	529-16-168-15	Cable guide with clamp	1
17.	PEZ 1053-29-4	Bulb holder	2
18.	PEZ-3056-29-2	RPM meter complete	1
19.	521-16-759-15	Damper assy.	1
20.	PEZ 1044-01-4	Bracket for RPMr	1
21.	PEZ 0993-20-4	Externally toothed washer	2
22.	PEZ 0835-14-4	Nut M4	2
23.	PEZ 1046-29-4	Bulb 6V	1

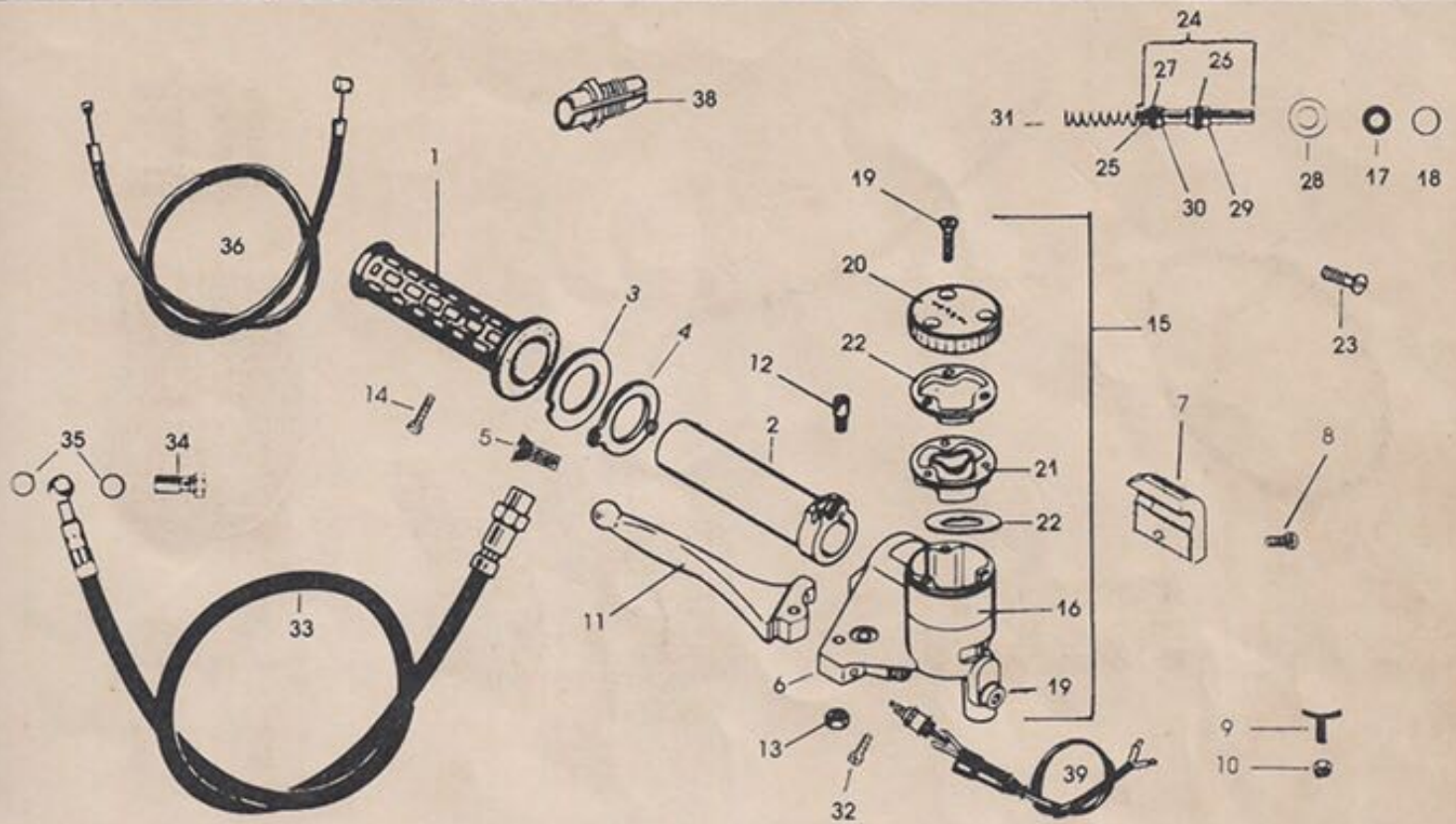


S. No.	Part No.	Description	No. of
1.	521-13-109-11	Handle Bar	1
2.	521-13-108-14	Handle Bar Clamp	2
3.	PEZ 0874-09-4	Hex Socket Head Cap Screw M8 × 35	4
4.	529-21-715-12	Rear View Mirror RH	1
5.	PEZ-3054-32-2	Handle bar cover	1
6.	PEZ-3216-12-4	Head screw AM5×18	2



S. No.	Part No.	Description	No. off
1.	PEZ 0634-30-3	Accelerator grip	1
2.	PEZ 0635-32-3	Accelerator tube	1
3.	PEZ 0636-18-4	Plate washer	1
4.	PEZ 0637-01-4	Cover plate	1
5.	PEZ 0903-13-4	Slotted counter sunk head screw M4 × 10	1
6.	PEZ 0638-01-2	Lever bracket RH	1
7.	PEZ 0639-32-3	Lever bracket RH cover	1
8.	PEZ 0895-12-4	Counter sunk head tapping screw with recessed head BZ 4.2 × 18	1
9.	PEZ 0620-01-4	Lock plate assy.	1
10.	PEZ 0841-14-4	Hex. thin nut BM5	1
11.	PEZ-3042-01-4	Handlever RH	1
12.	PEZ 0641-13-4	Special locking screw M6	1
13.	PEZ-1825-16-4	Special locking nut M6	1
14.	PEZ 0879-09-4	Hexagon socket head cap screw M6 × 16	1
15.	PEZ 0632-01-4	Front hydraulic brake unit comp	1
16.	PEZ-3222-01-4	Master cyl with Container	1
17.	PEZ-1864-30-4	'O' ring	1
18.	PEZ-0827-21-4	Copper washer A10×14	1
19.	PEZ-1861-13-4	Sealing screw M10×1	1
20.	PEZ-0596-32-4	Cover hydraulic front brake	1
21.	PEZ-0595-30-4	Bellows	1
22.	PEZ-2214-32-4	Washer	1
23.	PEZ-1870-12-4	Head screw B24.8 × 19	3
24.	PEZ-1853-01-4	Piston	1
25.	PEZ-1859-01-4	Piston bush	1
26.	PEZ-1856-30-4	Rubber seal	1

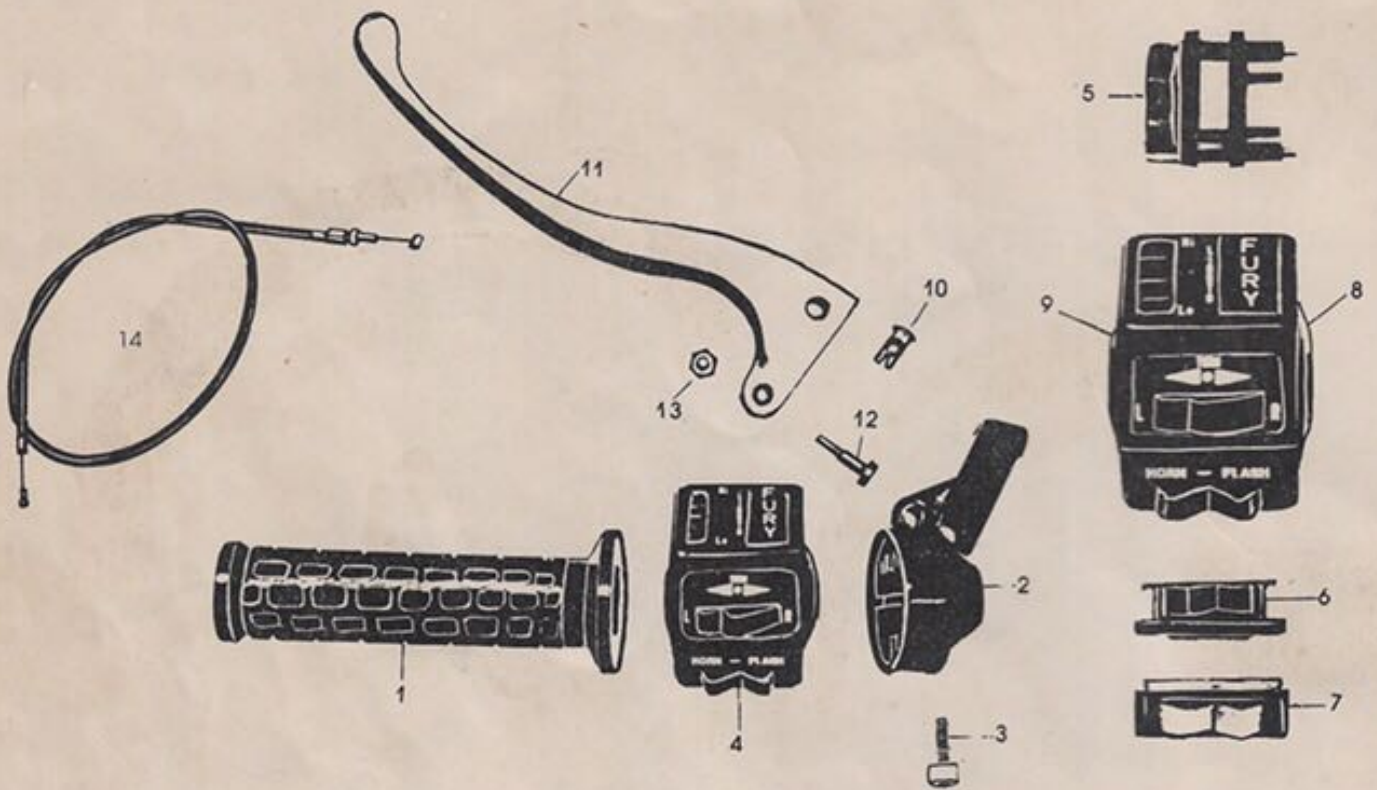
THROTTLE CONTROL – HYDRAULIC UNIT



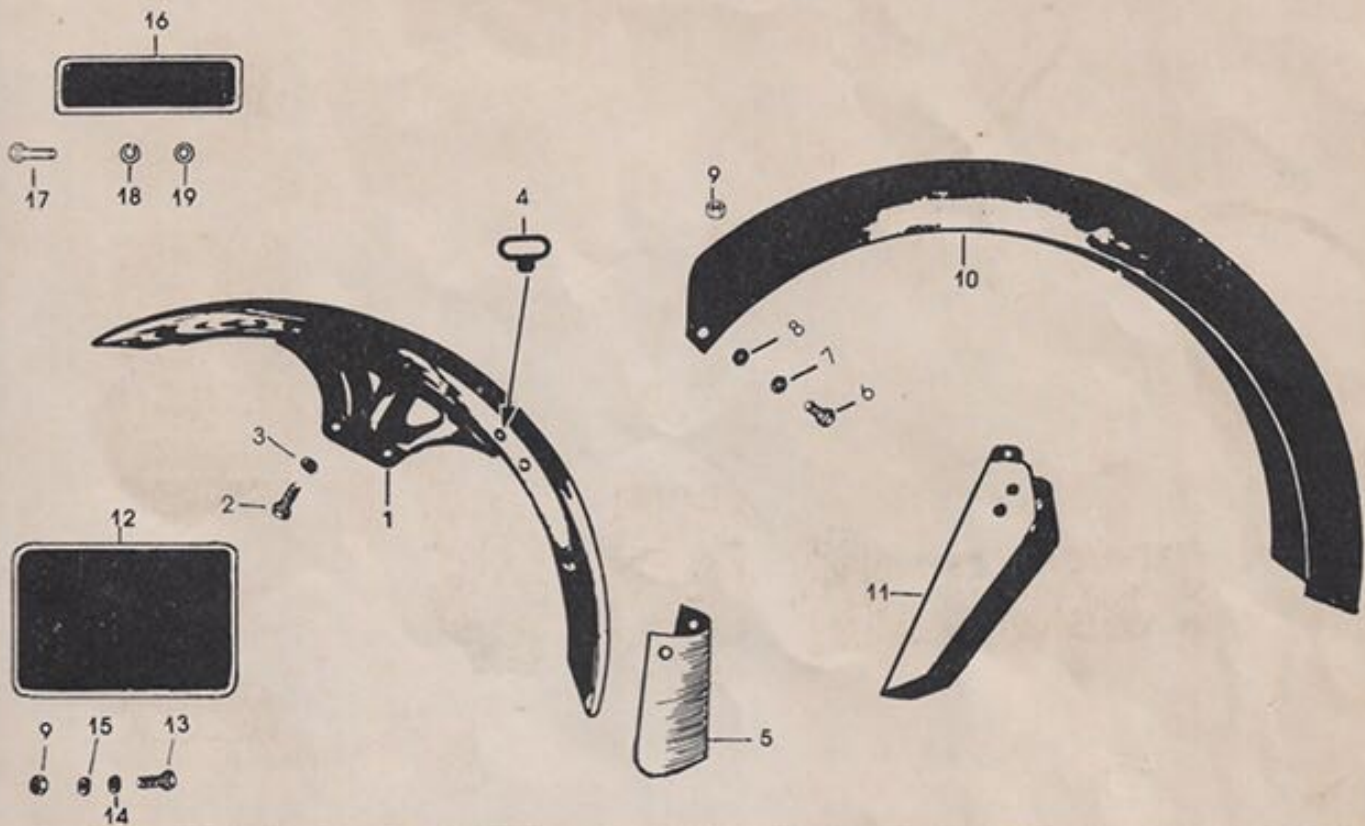
S. No.	Part No.	Description	No. off
27.	PEZ-1858-30-4	Rubber seal	1
28.	PEZ-1855-01-4	Piston washer	1
29.	PEZ-1857-21-4	Brass washer	1
30.	PEZ-1854-30-4	Wiper	1
31.	PEZ-1860-01-4	Piston spring	1
32.	PEZ-0880-09-4	Hex cap screw M5X16	2
33.	521-17-707-14	Brake hose assy	1
34.	PEZ-1851-08-4	Banjo bolt	1
35.	530-17-130-19	Banjo washer	2
36.	PEZ-2174-01-4	Throttle cable assy	1
37.	PEZ-2190-01-4	Throttle cable assy	1
38.	PEZ-2191-01-4	Abutment	1
39.	PEZ-2203-29-4	Hand brake light switch	1

HANDLE BAR CONTROLS L.H.

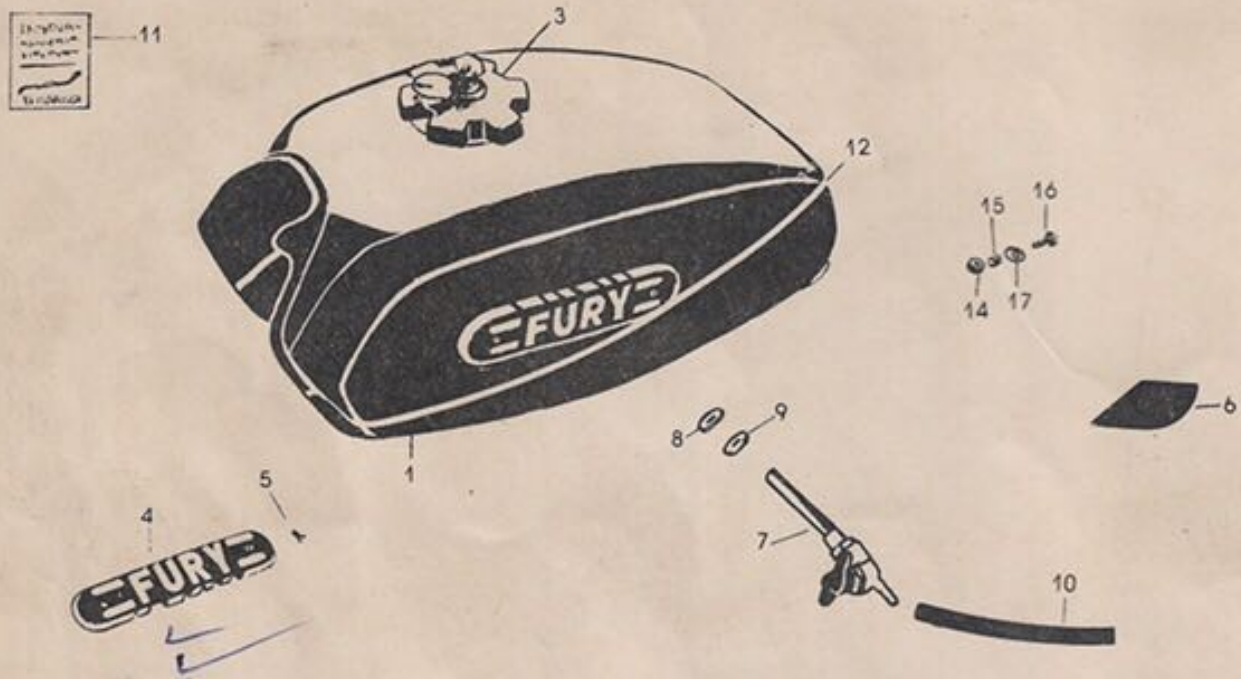
PLATE : 27



S. No.	Part No.	Description	No. off
1.	530-17-107-14	Hand grip	1
2.	PEZ-3047-01-4	Lever Bracket LH	1
3.	PEZ-0888-10-4	Head screw AM6x16	1
4.	PEZ-3048-29-2	Dimmer switch	1
5.	PEZ-3295-29-9	Hi-Lo switch	1
6.	PEZ-3296-29-9	Turn signal switch	1
7.	PEZ-3297-29-9	Horn-flash switch	1
8.	PEZ-3298-29-9	End cap	1
9.	PEZ-3299-29-9	Adaptor with screws	1
10.	428-17-115-15	Soldered Nipple Attachment	1
11.	PEZ-3041-01-4	Hand lever LH	1
12.	PEZ-0715-13-4	Hand lever fix. screw M5x2	1
13.	PEZ-1027-16-4	Spl lock nut M5	1
14.	PEZ-3050-01-4	Clutch cable Assy	1



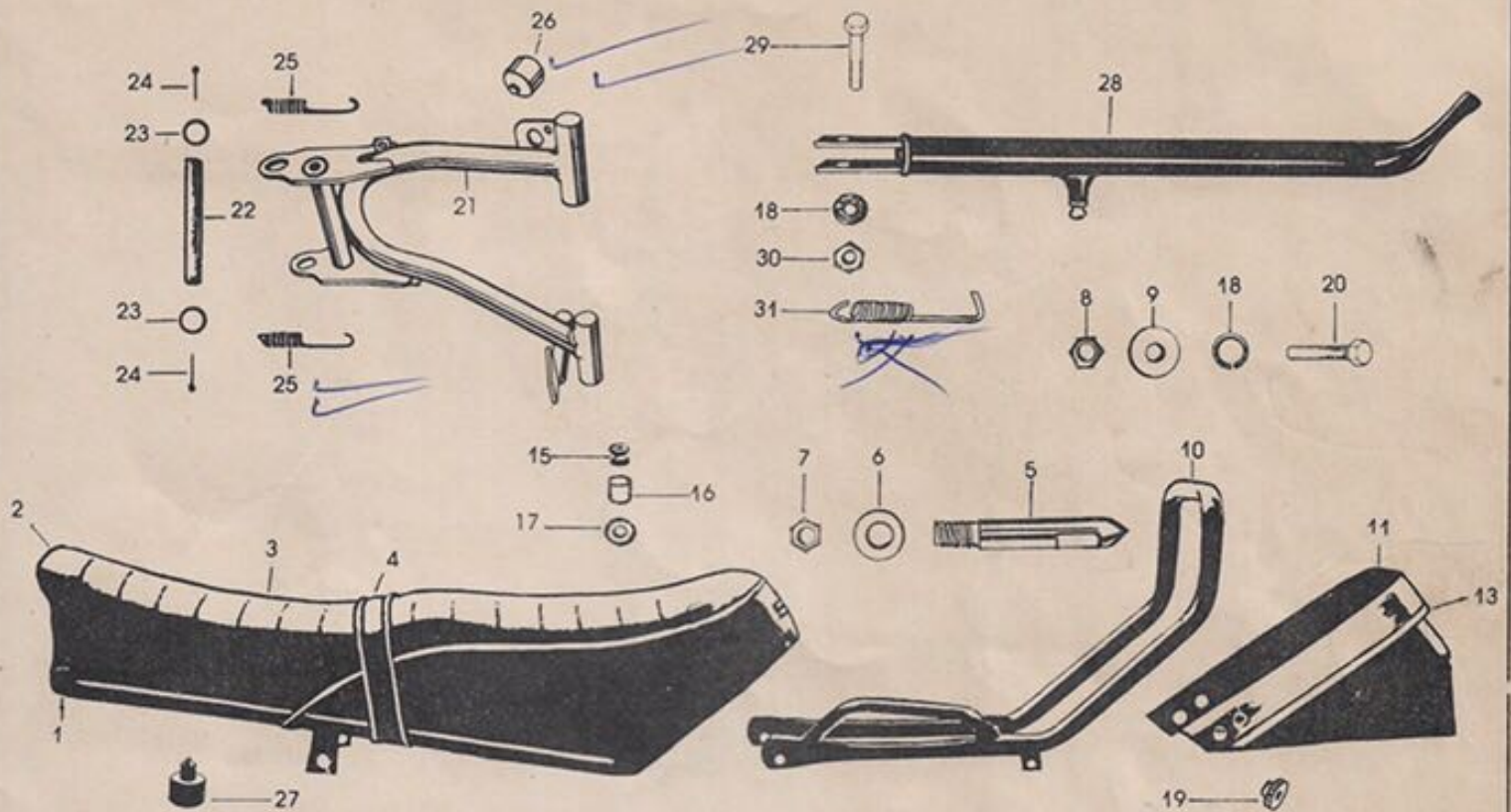
S. No.	Part No.	Description	No. off
1.	PEZ-2668-01-1	Front mudguard assy.	1
2.	PEZ 0853-08-4	Hex. screw M8 × 16	4
3.	PEZ 0825-20-4	Externally toothed washer A 8.4	4
4.	530-19-101-14	Guide grommet	2
5.	PEZ-1755-30-4	Front mudflap	1
6.	PEZ-0856-08-4	Hex screw M5×12	3
7.	PEZ-0814-18-4	Washer A 5.3	3
8.	PEZ-0994-20-4	External toothed washer	3
9.	PEZ-0945-14-4	Hex nut M6	3
10.	PEZ-3261-01-1	Rear mudguard	1
11.	PEZ-3263-01-3	Rear extension	1
12.	PEZ-2680-01-3	Rear number plate assy	1
13.	PEZ-0845-08-4	Hex screw M6×16	11
14.	PEZ-0824-18-4	Washer A 6.4	17
15.	PEZ-0819-19-4	Spring washer B6	11
16.	PEZ-1298-01-4	Front number plate assy	1
17.	PEZ-0860-08-4	Hex screw M6×18	2
18.	PEZ-0819-19-4	Spring washer B6	2
19.	PEZ-0824-18-4	Washer A6.4	2



S. No.	Part No.	Description	No. off
1.	PEZ-3267-01-2	Petrol Tank (Black/Red)	1
2.	PEZ-3268-01-2	Petrol tank (Blue/S. Grey)	1
3.	PEZ-2893-01-4	Petrol tank cap with lock	1
4.	PEZ-2397-32-2	Lettering (Fury)	1
5.	PEZ-0903-13-4	Head screw M4x10	4
6.	521-20-128-15	Rubber pad	2
7.	PEZ-5437-01-4	Fuel tap assy	1
8.	PEZ-5442-32-4	Fibre washer	1
9.	PEZ-5443-32-4	Fibre washer	AR
10.	521-20-136-19	Fuel line	1
11.	PEZ-1603-01-4	Instruction sticker	1
12.	PEZ-3270-01-4	Sticker (white)	2
13.	PEZ-3269-01-4	Sticker (medium grey)	2
14.	446-20-112-19	Grommet (WS-192-001-13)	2
15.	400-20-105-19	Tube (WZ-130-003-13)	2
16.	PEZ-0894-11-4	Head screw M6x16	2
17.	400-20-106-19	Washer (WS-150-001-13)	2

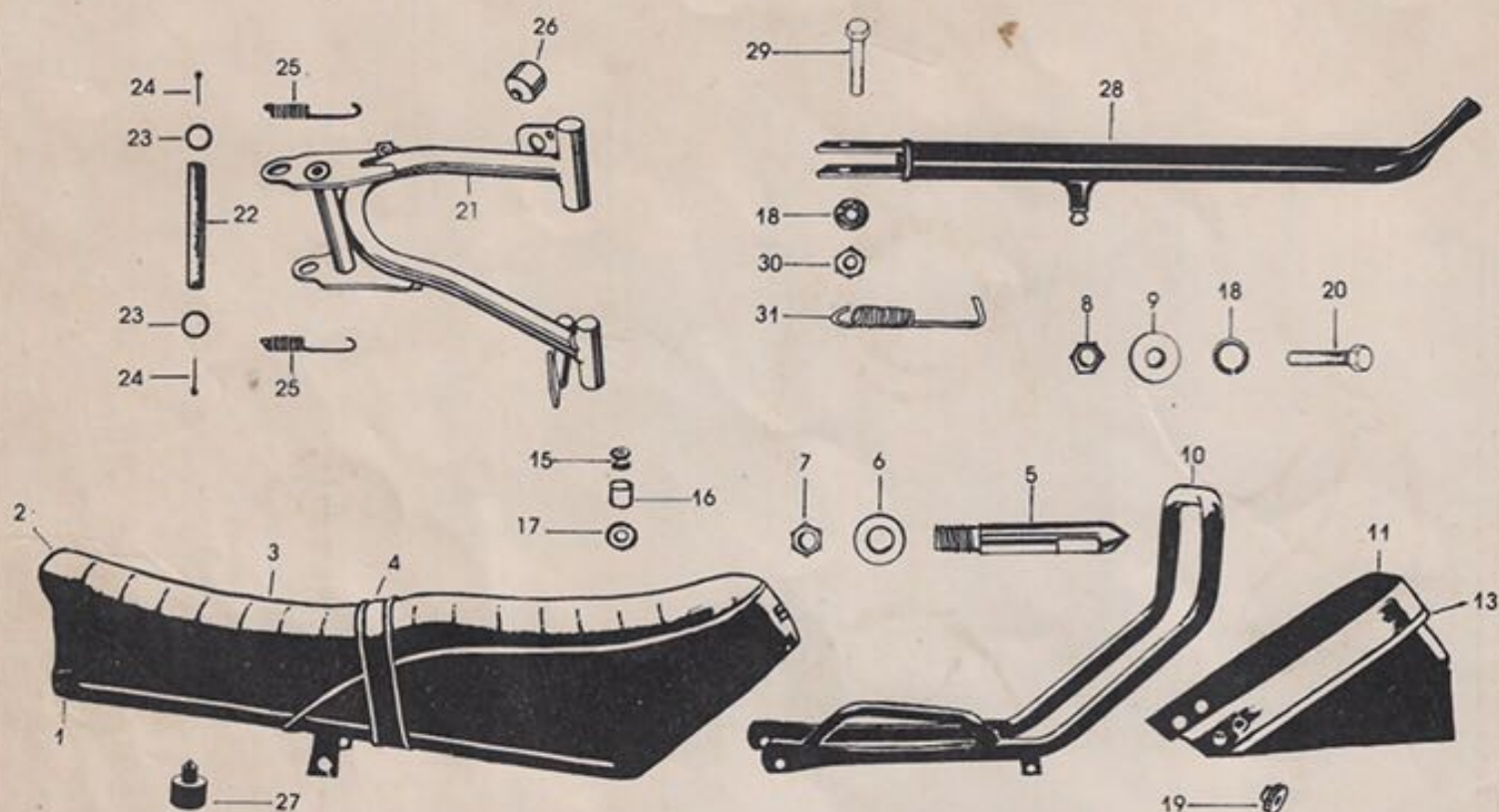
**DUAL SEAT — PILLION HOLDER — CENTRE STAND
REAR FAIRINGS — SIDE STAND**

PLATE : 30



S. No.	Part No.	Description	No. off
1.	PEZ-2957-01-1	Dual seat assembly	1
2.	PEZ-2972-30-0	Seat cover	1
3.	PEZ-2971-30-0	Seat mattress	1
4.	PEZ 0563-30-3	Centre strap	1
5.	PEZ-2934-01-4	Stud	1
6.	PEZ-0812-18-4	Washer	1
7.	PEZ-0946-14-4	Hex nut M8	1
8.	PEZ-0945-14-4	Hex nut M6	2
9.	PEZ-0824-18-4	Fan washer A6.4	2
10.	PEZ-3266-01-2	Pillion holder	1
11.	PEZ-3289-01-3	Rear faring (Black & Red)	1
12.	PEZ-3290-01-3	Rear faring (Blue & Silver)	1
13.	PEZ-3272-01-4	Rear faring sticker	1
14.	PEZ-3271-01-4	Rear faring sticker	1
15.	PEZ-3239-30-4	Grommet	4
16.	PEZ-3246-01-4	Tube	4
17.	PEZ-0824-18-4	Washer A6.4	4
18.	PEZ-0819-19-4	Spring washer B6	4
19.	PEZ-3248-01-4	Knurled nut	2
20.	PEZ-0859-08-4	Hex screw M6x25	2
21.	PEZ-1588-01-2	Centre stand assy	1

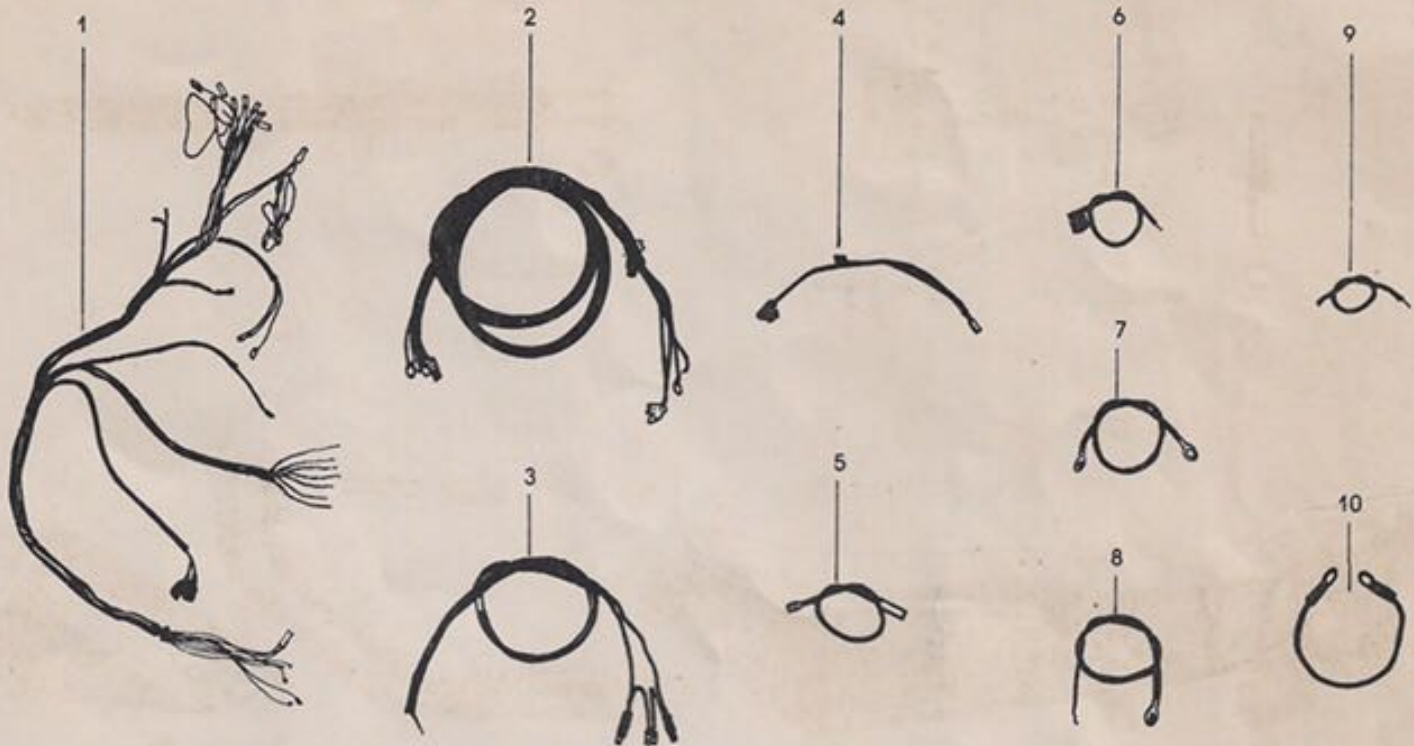
DUAL SEAT — PILLION HOLDER — CENTRE STAND REAR FAIRINGS — SIDE STAND



S. No.	Part No.	Description	No. off
22.	521-21-135-15	Bearing tube	1
23.	517-21-113-19	Washer	2
24.	PEZ 0920-25-4	Split pin 3.2 × 28	2
25.	PEZ 1607-01-5	Tension spring	2
26.	521-21-140-15	Rubber damper	1
27.	PEZ-0557-30-4	Rubber rest	1
28.	PEZ-2263-01-4	Side stand	1
29.	PEZ-0869-08-4	Hex screw M8 × 25	1
30.	PEZ-0946-14-4	Hex nut M8	1
31.	448-21-118-14	Tension spring	1

CABLE HARNESS

PLATE : 31



S. No.	Part No.	Description	No. off
1.	PEZ-3069-29-1	Main cable set	1
2.	PEZ-1793-29-2	Cable-tail lamp & trafficator	1
3.	521-16-1604-13	Brake light cable set	1
4.	PEZ-2250-29-4	Cable set for power regulator	1
5.	530-16-611-15	Power regulator cable	1
6.	PEZ-2249-29-4	Battery cable cum charging cable	1
7.	521-16-660-14	Cable	1
8.	PEZ-1792-29-4	Earthing cable	1
9.	PEZ 1747-29-4	Battery cable (neg.)	1
10.	PEZ-2251-29-4	Earthing cable	1

FURY GRAND PRIX NUMERICAL INDEX

PART NUMBER	DESCRIPTION	PLATE No.	SERIAL No.	NUMBER OFF
247-01-139-15	Bush	07	18	02
250-01-229-14	Bush	03	12	04
261-06-155-15	Spring Sleeve	11	10	10
265-05-175-19	Washer 17.1×23×0.5	09	04	AR
265-05-176-19	Washer 17.1×23×0.2	09	03	AR
265-05-177-19	Washer 17.1×23×0.1	09	02	AR
265-05-179-19	Washer 17.1×23×0.8	09	05	AR
265-05-203-15	Support washer	01	03	01
265-05-245-19	Washer	01	08	01
265-05-255-19	Washer	01	07	AR
265-05-255-19	Washer 22.1×32×0.2	09	17	AR
265-05-256-19	Washer 22.1×32×0.1	09	18	AR
265-05-257-19	Washer 22.1×32×0.3	09	19	AR
265-05-296-19	Washer	10	25	02
265-06-104-15	Clutch tongue	04	09	01
265-06-106-15	Adjusting screw M10×1	04	10	01
265-06-109-15	Leaf spring	04	13	02
265-06-112-15	Torsion spring	04	04	01
265-06-127-14	Cover Plate	11	07	01
265-06-202-15	Hex nut M12×1	11	09	01
265-06-602-14	Clutch actuating arm	04	03	01
266-05-192-19	O ring	10	30	01
267-01-153-14	Bush dia 16	03	02	01
267-05-102-15	Locking pin	09	33	02
267-05-104-15	Tension spring	09	32	01
267-05-112-14	Adjusting bell	10	26	01
267-05-113-15	Washer	10	27	02
267-05-125-15	Lucking pin	10	03	01
267-05-126-15	Compression spring	10	04	01
267-05-126-15	Compression spring	01	12	01
267-05-129-15	Cottor pin	03	03	01
267-05-130-15	Rubber sleeve	10	29	01
267-05-244-19	Washer 16.2×22.8×0.1	10	09	AR
267-05-310-19	Washer 20.2×28×0.1	09	25	AR
267-05-312-19	Washer 20.2×28×1.0	09	27	AR
267-05-313-19	Washer 20.2×28×0.5	09	28	AR
267-05-315-19	Washer 20.2×28×0.2	09	26	AR
267-05-328-14	Starter spring	01	22	01
267-05-334-15	Drivedog spring	01	06	01
267-05-585-14	Compression spring	10	07	01
267-05-586-15	Shift pawl	10	06	02
276-05-119-15	Hex nut M15×1	09	30	01
276-05-198-19	Washer 15.2×30×0.75	09	11	02
278-05-100-14	Torsion spring	10	11	01
278-05-101-15	Ball 7	09	24	20
280-05-175-14	Rubber cover	10	14	01
281-06-114-19	Washer 12×17×0.2	04	05	AR
281-06-115-19	Washer 12×17×0.5	04	06	01
283-05-149-14	Drivedog	01	05	01
283-05-156-19	Washer	01	17	AR
283-05-157-19	Washer	01	18	AR
284-05-603-15	Cover plate assy	01	23	01
284-06-104-15	Lock plate	11	08	01
284-07-124-19	Washer	12	22	03

PART No.	DESCRIPTION	Plate No.	SERIAL No.	NUMBER OFF
285-01-114-12	Crankcase centre gasket	05	01	01
285-01-115-12	RH cover gasket	05	02	01
285-01-125-11	Crankcase cover LH	01	19	01
285-01-152-19	Bush 20x22x14	02	02	01
285-01-180-15	Cheese head screw BM6x154	04	22	08
285-01-181-15	Cheese head screw BM6x140	04	21	03
285-01-183-15	Oilseal 20x30x7	02	14	01
285-01-192-19	O ring 123x2.5	02	11	01
285-01-192-19	O ring 123x2.5	05	05	01
285-01-194-15	Oilseal 20x30x7	02	10	01
285-01-204-15	Oilseal 20x28x6	02	15	01
285-01-210-19	Washer 42x51.9x0.05	02	09	AR
285-01-211-19	Washer 42x51.9x0.10	02	08	AR
285-01-211-19	Washer 42x51.9x0.10	03	07	AR
285-01-212-19	Washer	02	07	01
285-01-212-19	Washer 42x51.9x0.20	03	06	AR
285-01-220-15	Oilseal 20x30x8	03	08	01
285-01-224-19	Washer	02	04	01
285-01-757-15	Needle sleeve	02	03	01
285-02-204-19	Washer 8.4x16.5x2.5	06	15	04
285-03-701-15	Shoulder ball bearing	06	20	02
285-05-151-19	Hex nut M15x1 LH thread	09	12	01
285-05-169-13	Starter wheel	01	04	01
285-05-256-14	Ratchet Holder	10	10	01
285-05-322-19	O Ring 30x2.5	10	16	01
285-05-330-14	Needle cage 17x21x12.8	09	06	01
285-05-341-15	Spacer ring 18x22x2	09	31	01
285-05-347-13	Kickstarter shaft	01	01	01
285-05-618-15	Foot shift spindle assy	10	02	01
285-05-677-14	Cylindrical roller bearing	03	04	01
285-05-710-13	Foot shift shaft assy	10	01	01
285-06-101-14	Clutch pinion	11	01	01
285-06-107-15	Clutch spring	11	11	10
285-06-108-14	Pressure plate	11	12	01
285-06-111-15	Washer 10.1x18x0.1	11	16	AR
285-06-112-15	Washer 10.1x18x0.2	11	17	AR
285-06-113-15	Washer 10.1x18x0.4	11	18	AR
285-06-114-15	Washer 10.1x18x0.8	11	19	AR
285-06-115-15	Axial needle bearing 10 x 24	11	14	01
285-06-116-15	Washer 13x24x1	11	15	01
285-06-122-14	Tension spring	11	05	02
285-06-124-14	Clutch plate	11	04	03
285-06-125-14	Clutch plate	11	06	01
285-06-600-15	Back plate assy	11	02	01
285-06-605-14	Thrust pin assy	11	20	01
285-07-129-15	Clamping plate	12	19	01
285-07-135-15	Nut M12x1	12	06	01
288-01-109-14	Stud bolt	02	06	02
288-01-109-14	Stud bolt M8x166	03	05	02
288-02-113-14	Exhaust flange gasket	05	07	01
288-02-113-14	Gasket (Exhaust flange)	06	07	01
288-02-114-14	Cylinder base gasket	05	04	01
288-02-114-14	Cylinder base gasket	06	11	01
288-02-121-14	Piston ring	06	04	01
288-02-122-14	Piston ring	06	05	01

PART No.	DESCRIPTION	Plate No.	SERIAL No.	NUMBER OFF
288-02-137-14	Damper rubber	06	14	04
288-02-612-14	Exhaust flange assy	06	08	01
288-02-708-12	Piston 62mm	06	03	01
288-03-602-13	Crankshaft assy	06	17	01
288-05-112-13	Gear wheel 1 gear 34T	09	13	01
288-05-113-13	Gear wheel 2 gear 26T	09	14	01
288-05-114-13	Gear wheel 3 gear 23T	09	15	01
288-05-115-13	Gear wheel 4 gear 24T	09	16	01
288-05-116-13	Gear wheel 5 gear 20T	09	20	01
288-05-117-13	Shift shaft assy	09	22	01
288-05-147-15	Spring washer	01	18	01
288-05-602-14	Gear main shaft	09	01	01
288-05-703-14	Clutch wheel assy	09	07	01
288-05-708-15	Clutch wheel with gear	09	08	01
288-06-600-13	Clutch friction disc	11	03	05
293-03-107-14	Needlecage 18x22x23	06	18	01
294-03-112-14	Gudgeon pin	06	19	01
400-20-105-19	Tube (WZ-130-003-13)	29	15	02
400-20-106-19	Washer (WS-150-001-13)	29	17	02
400-20-106-19	Washer	13	28	02
405-15-388-19	O Ring	04	07	01
405-15-388-19	O Ring	05	06	01
428-17-115-15	Soldered nipple attachment	27	10	01
433-15-131-19	Hex nut M14x1	18	11	01
433-15-131-19	Hex nut M14x1	17	09	01
433-17-100-15	Lock plate	20	16	01
446-20-112-19	Grommet (WS-192-001-13)	29	14	02
448-15-136-15	Tension spring	07	05	03
448-16-152-11	Cockpit hosing	24	15	01
448-17-125-14	knurled nut	20	17	01
448-21-118-14	Tension spring	30	31	01
460-18-103-15	Spacer pipe	07	19	01
517-10-181-15	Cover (lock)	13	04	01
517-10-227-15	Compression spring	13	03	01
517-16-239-15	Cable grommet	21	08	01
517-16-286-15	4 Pole connector	22	11	03
517-16-382-13	Electronic power regulator	23	13	01
517-21-113-19	Washer	30	23	02
519-12-110-15	Ball nut	15	32	01
519-15-119-19	Stover lock nut M10	16	23	04
519-15-119-19	Stover lock nut	18	27	01
519-16-100-12	Battery 6V 11AH	23	06	01
519-17-106-15	Clevis pin	20	10	01
519-17-110-15	Spring	20	14	01
520-10-324-14	Sealing ring 34.8	08	14	01
520-10-363-12	Filter unit	08	22	01
520-10-379-14	Sealing ring	08	12	01
520-10-608-14	Airfilter element	08	13	01
520-12-143-15	Screw cap nut	15	33	01
520-12-282-15	Cable grommet	13	30	05
520-14-143-19	Rubber washer 8.5x17x1.5	18	29	02
520-14-216-15	Spindle	16	03	01
520-14-217-19	Hex nut M15x1	16	05	02
520-14-237-15	Cap	16	06	02
520-15-614-14	Chain tensioner RH	18	05	01

PART No.	DESCRIPTION	Plate No.	SERIAL No.	NUMBER OFF
520-16-725-14	Brake light switch	22	06	01
520-16-901-19	Cap	22	07	01
520-17-141-15	Rubber ring	20	04	02
520-17-179-14	Bearing sleeve	20	06	01
520-18-118-15	Washer 23×38×4.5	14	12	01
520-18-615-13	Engine support front	14	01	01
520-18-703-14	Engine suspension rear	14	10	01
520-22-908-15	Lock plate	07	03	01
521-10-140-15	Damper (Petrol tank)	13	07	02
521-10-169-15	Rubber rope	13	25	01
521-10-623-14	Cover assy	08	15	01
521-13-108-14	Handle bar clamp	25	02	02
521-13-109-11	Handle bar	25	01	01
521-13-110-14	Frame runner ring	13	08	02
521-15-137-13	Sprocket 43T	18	15	01
521-15-154-14	Rear hub spindle	18	04	01
521-15-603-14	Chain tensioner LH	18	09	01
521-15-607-14	Anchor plate	18	24	01
521-15-734-12	Brake disc assembly	17	14	01
521-15-735-12	Brake caliper assembly	19	01	01
521-16-1604-13	Brake light cable set	31	03	01
521-16-1700-12	Horn 6V	22	12	01
521-16-1754-13	Fuse holder	23	16	01
521-16-316-15	Guide bush	21	17	04
521-16-324-15	Grommet	21	09	02
521-16-327-15	Bush	21	10	02
521-16-624-13	Battery holder complete	23	07	01
521-16-660-14	Cable	31	07	01
521-16-682-13	Electrical box assy	13	26	01
521-16-759-15	Damper assy	24	19	01
521-17-113-15	Trunion pin	20	15	01
521-17-611-14	Brake rod assy	20	09	01
521-17-707-14	Brake hose assy	26	33	01
521-18-600-19	Chain ½×5/16× (112 links)	18	32	01
521-18-601-15	Buffer	14	06	02
521-20-128-15	Rubber pad	29	06	02
521-20-136-19	Fuel line	29	10	01
521-21-135-15	Bearing tube	30	22	01
521-21-140-15	Rubber damper	30	26	01
521-22-107-14	Exhaust clamp	07	12	02
521-22-108-15	Buffer	07	14	01
521-22-116-15	Buffer	07	11	01
521-22-117-15	Clamp	07	07	01
521-22-125-15	Sealing ring	07	22	01
529-10-166-15	Grommet	23	08	01
529-16-160-15	Spacer ring	24	11	01
529-16-168-15	Cable guide with clamp	24	16	01
529-17-105-14	Tension spring	20	13	01
529-21-715-12	rear view mirror RH	25	04	01
530-16-611-15	Power regulator cable	31	05	01
530-17-107-14	Hand grip	27	01	01
530-17-130-19	Banjo washer	26	35	02
530-19-101-14	Guide grommet	28	04	02
561-17-111-19	Stover lock nut M8	17	18	06
561-17-111-19	Stover lock nut	16	21	02

PART No.	DESCRIPTION	Plate No.	SERIAL No.	NUMBER OFF
561-17-111-19	Stover lock nut M8	18	31	01
PEZ-0375-01-4	Spacer tube	18	01	01
PEZ-0376-01-4	Ring spacer tube	18	33	01
PEZ-0377-01-4	Ring spacer tube	17	20	01
PEZ-0504-32-4	Spark plug cap	12	08	01
PEZ-0515-01-0	Silencer assy	07	01	01
PEZ-0542-22-4	External circlip	01	02	03
PEZ-0544-22-4	External circlip	01	24	01
PEZ-0548-01-3	Silencer end cup assy	07	02	01
PEZ-0557-30-4	Rubber rest	30	27	01
PEZ-0563-30-3	Centre strap	30	04	01
PEZ-0574-01-3	Speedo drive adaptor	17	13	01
PEZ-0589-01-3	Front wheel axle	17	06	01
PEZ-0590-01-4	Bush	17	07	01
PEZ-0594-01-4	Speedo drive spindle	17	12	01
PEZ-0595-30-4	Bellows	26	21	01
PEZ-0596-32-4	Cover hydraulic frontbrake	26	20	01
PEZ-0603-30-4	Cover plate sealing ring	17	11	01
PEZ-0606-01-3	Speedo drive wheel	17	05	01
PEZ-0613-01-3	Stub axle	18	08	01
PEZ-0614-01-2	Brake cover plate	18	18	01
PEZ-0615-01-4	Rear brake cam	18	21	01
PEZ-0618-01-4	Lock plate	18	16	03
PEZ-0619-30-3	Carrier rubber	18	14	01
PEZ-0620-01-4	Lock plate assy	26	09	01
PEZ-0624-01-4	Leading brake shoe assy	18	19	01
PEZ-0632-01-4	Front hyd. brake unit Comp.	26	15	01
PEZ-0634-30-3	Accelerator grip	26	01	01
PEZ-0635-32-3	Accelerator tube	26	02	01
PEZ-0636-18-4	Plate washer	26	03	01
PEZ-0637-01-4	Cover plate	26	04	01
PEZ-0638-01-2	Lever bracket RH	26	06	01
PEZ-0639-32-3	Lever bracket RH cover	26	07	01
PEZ-0641-13-4	Spl locking screw M6	26	12	01
PEZ-0642-01-4	Spacer tube	17	01	01
PEZ-0643-18-4	Washer	18	37	01
PEZ-0645-01-4	Rear brake lever assy	18	22	01
PEZ-0654-01-4	Trailing Brake shoe assy	18	34	01
PEZ-0680-01-3	Speedo drive cover plate	17	10	01
PEZ-0698-01-3	Rear wheel assy	18	35	01
PEZ-0699-01-3	Front wheel assy	17	19	01
PEZ-0715-13-4	Hand lever fix. screws M5 x 20	27	12	01
PEZ-0741-01-2	Head lamp light unit	21	01	01
PEZ-0769-29-3	Signal lamp-Blue	24	04	01
PEZ-0770-29-3	Signal lamp-Green	24	08	01
PEZ-0791-23-4	Internal circlip 30x12	15	13	02
PEZ-0792-23-4	Internal circlip 40x1.75	17	04	01
PEZ-0795-22-4	External circlip 16x1	15	26	02
PEZ-0795-22-4	External circlip 16x1	10	08	01
PEZ-0796-24-4	Radial retaining ring	04	08	01
PEZ-0799-26-4	Spring dowel 3x12	04	15	01
PEZ-0799-26-4	Spring dowel 3x12	20	05	01
PEZ-0800-26-4	Spring dowel	01	19	01
PEZ-0801-26-4	Spring dowel 5x45	03	11	01
PEZ-0809-18-4	Washer 6.4	08	03	02

PART No.	DESCRIPTION	Plate No.	SERIAL No.	NUMBER OFF
PEZ-0809-18-4	Washer A6.4	06	09	04
PEZ-0810-18-4	Washer A6.4	20	11	01
PEZ-0810-18-4	Plate washer	16	14	06
PEZ-0811-18-4	Washer AM15	17	08	01
PEZ-0811-18-4	Washer AM15	18	10	01
PEZ-0812-18-4	Washer 8.4	17	17	06
PEZ-0812-18-4	Washer 8.4	30	06	01
PEZ-0813-18-4	Washer A8.4	22	15	02
PEZ-0813-18-4	Washer A8.4	18	30	01
PEZ-0813-18-4	Washer A8.4	16	20	02
PEZ-0813-18-4	Washer A 8.4	07	10	02
PEZ-0814-18-4	Washer A 5.3	28	07	03
PEZ-0814-18-4	Washer A 5.3	12	18	02
PEZ-0816-18-4	Washer A 4.3	23	14	02
PEZ-0816-18-4	Washer A 4.3	22	08	02
PEZ-0817-19-4	Spring washer B10	23	18	02
PEZ-0817-19-4	Spring washer B10	14	08	01
PEZ-0817-19-4	Spring washer B10	14	05	03
PEZ-0817-19-4	Spring washer B10	19	07	02
PEZ-0818-19-4	Spring washer B8	20	07	01
PEZ-0818-19-4	Spring washer B8	14	03	04
PEZ-0818-19-4	Spring washer B8	07	15	02
PEZ-0818-19-4	Spring washer B8	24	06	02
PEZ-0818-19-4	Spring washer B8	22	13	01
PEZ-0818-19-4	Spring washer B8	21	11	02
PEZ-0819-19-4	Spring washer B6	28	18	02
PEZ-0819-19-4	Spring washer B6	28	15	02
PEZ-0819-19-4	Spring washer B6	23	10	02
PEZ-0819-19-4	Spring washer B6	30	18	04
PEZ-0819-19-4	Spring washer B6	13	34	01
PEZ-0819-19-4	Spring washer B6	16	15	02
PEZ-0819-19-4	Spring washer B6	08	19	01
PEZ-0820-19-4	Spring washer B16	16	04	02
PEZ-0822-19-4	Spring washer B4	22	09	02
PEZ-0824-18-4	Washer A6.4	28	19	02
PEZ-0824-18-4	Washer A6.4	30	17	04
PEZ-0824-18-4	Washer A6.4	28	14	17
PEZ-0824-18-4	Fan washer A6.4	30	09	02
PEZ-0824-18-4	Washer A6.4	12	15	02
PEZ-0824-18-4	Washer A6.4	13	33	01
PEZ-0825-20-4	Externally toothed washer	28	03	04
PEZ-0825-20-4	Externally toothed washer	07	09	03
PEZ-0826-20-4	Internally toothed washer	17	21	09
PEZ-0827-21-4	Copper washer	04	11	01
PEZ-0827-21-4	Copper washer A10x13.5	03	13	01
PEZ-0827-21-4	Copper washer A10x13.5	26	18	01
PEZ-0828-21-4	Al. Washer A6x10	04	17	01
PEZ-0830-21-4	Undulated washer	13	05	01
PEZ-0831-21-4	Undulated washer A10	13	21	04
PEZ-0832-21-4	Undulated washer B8	16	18	02
PEZ-0832-21-4	Undulated washer B8	07	13	01
PEZ-0833-21-4	Undulated washer	10	24	02
PEZ-0833-21-4	Undulated washer A6	12	16	02
PEZ-0834-21-4	Undulated washer B6	13	29	02
PEZ-0834-21-4	Undulated washer B6	22	04	02

PART No.	DESCRIPTION	Plate No.	SERIAL No.	NUMBER OFF
PEZ-0835-14-4	Nut M4	24	22	02
PEZ-0835-14-4	Hex nut M4 x 8	11	13	05
PEZ-0838-14-4	Nut M7	18	06	02
PEZ-0839-14-4	Hex nut M8	06	16	04
PEZ-0839-14-4	Hex nut M8	22	16	01
PEZ-0840-14-4	Hex nut M10	14	09	01
PEZ-0840-14-4	Hex nut M10	14	07	01
PEZ-0840-14-4	Hex nut M10	13	22	04
PEZ-0841-14-4	Hex thin nut BM5	26	10	01
PEZ-0842-14-4	Hex lock nut M10x1	04	12	01
PEZ-0843-16-4	Self lock nut M8	15	12	02
PEZ-0845-08-4	Hex screw M6x16	10	15	01
PEZ-0845-08-4	Hex screw M6x16	28	13	11
PEZ-0846-08-4	Hex screw M10 x 18	03	14	01
PEZ-0847-08-4	Hex screw M10x12	14	04	02
PEZ-0849-08-4	Hex bolt M8x75	14	02	02
PEZ-0850-08-4	Hex bolt M8x55	14	13	02
PEZ-0852-08-4	Hex screw M10x30	19	06	02
PEZ-0853-08-4	Hex screw M8x16	28	02	04
PEZ-0854-08-4	Pinch bolt M8x60	15	11	02
PEZ-0855-08-4	Hex screw M8x40	16	19	02
PEZ-0856-08-4	Hex screw M5x12	28	06	03
PEZ-0857-08-4	Hex screw M7x30	18	17	06
PEZ-0858-08-4	Hex screw M10x35	18	25	01
PEZ-0859-08-4	Hex screw M6x25	18	23	01
PEZ-0859-08-4	Hex screw M6 x 25	30	20	02
PEZ-0860-08-4	Hex screw M6x18	28	17	02
PEZ-0860-08-4	Hex screw M6x18	22	05	02
PEZ-0861-08-4	Hex screw M6 x 12	13	32	01
PEZ-0861-08-4	Hex bolt M6x12	16	12	08
PEZ-0863-08-4	Hex screw M8x12	07	16	01
PEZ-0864-08-4	Hex screw M6x22	20	02	01
PEZ-0865-08-4	Hex bolt M8x35	20	08	01
PEZ-0866-08-4	Hex screw M8x22	18	28	01
PEZ-0866-08-4	Hex screw 8x22	22	14	01
PEZ-0867-08-4	Hex screw M6x10	07	04	01
PEZ-0869-08-4	Hex screw M8x25	21	12	02
PEZ-0869-08-4	Hex screw M8x25	30	29	01
PEZ-0870-08-4	Hex screw M6x8	12	13	AR
PEZ-0870-08-4	Hex screw M6x8	12	11	01
PEZ-0870-08-4	Hex screw M6x8	23	09	02
PEZ-0871-08-4	Hex screw M8x18	24	07	02
PEZ-0873-09-4	Hex socket head cap screw	06	10	04
PEZ-0874-09-4	Hex socket head cap screw	25	03	04
PEZ-0878-09-4	Hex socket head cap screw	17	16	06
PEZ-0879-09-4	Head cap screw M6x16	26	14	01
PEZ-0880-09-4	Head cap screw M5x16	26	32	02
PEZ-0881-10-4	Slotted cheese head screw	02	12	02
PEZ-0882-10-4	Slotted cheese head screw	03	15	01
PEZ-0883-10-4	Slotted cheese head screw	01	21	02
PEZ-0884-10-4	Slotted cheese head screw	01	20	01
PEZ-0886-10-4	Slotted cheese head screw	04	14	02
PEZ-0888-10-4	Head screw AM6x16	27	03	01
PEZ-0889-10-4	Slotted cheese head screw	22	10	02
PEZ-0890-10-4	Slotted cheese head screw	13	27	02

PART No.	DESCRIPTION	Plate No.	SERIAL No.	NUMBER OFF
PEZ-0890-10-4	Cheese head screw AM6x12	08	18	01
PEZ-0891-10-4	Sl.ch. head screw AM4x10	23	15	02
PEZ-0892-11-4	Slotted cheese head screw	04	18	01
PEZ-0894-11-4	Slotted pan head screw	10	28	02
PEZ-0894-11-4	Head screw M6x16	29	16	02
PEZ-0895-12-4	Head tapping screw BZ4.2	26	08	01
PEZ-0898-13-4	Slotted raised Counter sunk	04	20	02
PEZ-0901-13-4	Cheese head tapping screw	08	11	01
PEZ-0901-13-4	Cheese head tapping screw	08	16	06
PEZ-0903-13-4	Head screw M4x10	26	05	01
PEZ-0903-13-4	Head screw M4x10	29	05	04
PEZ-0905-28-4	Ball 05 class III	09	10	02
PEZ-0905-28-4	Ball 05	01	11	02
PEZ-0906-28-4	Ball 06 class III	13	09	36
PEZ-0909-28-4	Ball bearing 6303/C3/17 x 47 x 14	03	10	01
PEZ-0910-28-4	Ball bearing 6024 C320x47 x 14	02	13	01
PEZ-0911-28-4	Ball bearing 12x32x10	04	02	01
PEZ-0912-28-4	Ball bearing	09	09	01
PEZ-0913-28-4	Ball bearing 6203 Z 17x40	17	03	01
PEZ-0916-28-4	Ball bearing 6202 Z 15x42	18	03	01
PEZ-0917-28-4	Ball bearing 6004Z20x42x1	18	13	02
PEZ-0919-25-4	Split pin 2x12	20	12	01
PEZ-0920-25-4	Split pin 3.2x28	30	24	02
PEZ-0921-27-4	Round head rivet 2.6x6	10	05	01
PEZ-0926-29-4	Bulb 35/35W	21	04	01
PEZ-0928-29-4	Brake light bulb 6V 21W	22	03	01
PEZ-0929-29-4	Fuse A8	23	17	01
PEZ-0930-31-4	Woodruff key 3x3.7	12	05	01
PEZ-0932-31-4	Clamping clip A1 40-60 C6	08	06	03
PEZ-0933-31-4	Clamping clip A1 60-80 C6	08	09	01
PEZ-0945-14-4	Hext nut M6	08	04	02
PEZ-0945-14-4	Hext nut M6	12	14	02
PEZ-0945-14-4	Hext nut M6	30	08	02
PEZ-0945-14-4	Hext nut M6	28	09	03
PEZ-0945-14-4	Hext nut M6	20	03	03
PEZ-0946-14-4	Hext nut M8	07	08	03
PEZ-0946-14-4	Hext nut M8	30	30	01
PEZ-0946-14-4	Hext nut M8	30	07	01
PEZ-0991-28-4	Ball bearing 6203 C3 17x40 x 12	17	02	01
PEZ-0993-20-4	Externally toothed washer	24	21	02
PEZ-0994-20-4	External toothed washer	28	08	03
PEZ-0998-29-4	Bulb 6V 10W	23	02	04
PEZ-1008-18-4	Washer A 8.4	07	20	01
PEZ-1013-18-4	Washer 0.5	16	10	04
PEZ-1016-08-4	Hex bolt M8x65	07	21	01
PEZ-1020-08-4	Hex screw M6x20	12	12	01
PEZ-1020-08-4	Hex screw M6x20	23	11	01
PEZ-1027-16-4	Spl lock nut M5	27	13	01
PEZ-1036-12-4	Pan head screw M5x12	21	18	01
PEZ-1039-29-9	Bulb holder	21	03	01
PEZ-1040-29-4	Trafficator lens	23	03	04
PEZ-1044-01-4	Bracket for RPM meter	24	20	01
PEZ-1046-29-4	Bulb 6V	24	23	01
PEZ-1052-29-4	Bulb 6V	24	02	02
PEZ-1053-29-4	Bulb holder	24	17	02

PART NO.	DESCRIPTION	PLATE No.	SERIAL No.	NUMBER OFF
PEZ-1055-29-3	Lens tail lamp	22	17	01
PEZ-1071-27-4	Hammer drive rivet	13	06	01
PEZ-1072-27-4	Hammer drive screw	16	09	01
PEZ-1099-25-4	Split pin	10	22	02
PEZ-1174-32-4	Screw plug with clip	02	05	01
PEZ-1256-10-4	Slotted cheese head screw	12	21	03
PEZ-1257-13-4	Slotted counter sunk screw	12	20	04
PEZ-1258-24-4	Godgeon pin circlip	06	06	02
PEZ-1261-14-4	Nut M10	18	26	01
PEZ-1276-29-4	Electronic ignition coil	12	04	01
PEZ-1289-08-4	Hex screw M7x50	18	07	02
PEZ-1298-01-4	Front number plate assy	28	16	01
PEZ-1315-01-4	Bracket assy (ET Coil)	12	10	AR
PEZ-1341-01-4	Fixing bracket	24	12	01
PEZ-1342-01-2	Speedometer	24	01	01
PEZ-1344-17-4	Knurled nut M5	24	13	02
PEZ-1374-08-4	Hex screw M5x20	12	17	02
PEZ-1416-01-4	Fork screw top	15	16	02
PEZ-1417-30-4	O Ring	15	15	02
PEZ-1418-32-4	Cap	15	40	02
PEZ-1419-01-3	Fork main tube	15	14	02
PEZ-1420-01-4	Compression spring	15	17	02
PEZ-1422-01-4	Ring clamp-bottom	15	08	02
PEZ-1423-01-2	Fork leg LH	15	02	01
PEZ-1424-01-2	Fork leg RH	15	03	01
PEZ-1425-24-4	Oil seal retaining ring	15	05	02
PEZ-1426-30-4	Oil seal	15	04	04
PEZ-1427-18-4	Piston retaining washer	15	27	04
PEZ-1428-01-4	Piston segment	15	21	02
PEZ-1429-01-4	Piston	15	23	02
PEZ-1430-01-4	Return spring	15	24	02
PEZ-1431-18-4	Spring seat washer	15	41	02
PEZ-1432-01-4	Non return valve	15	22	02
PEZ-1433-01-4	Damper tube guide	15	28	02
PEZ-1434-01-4	damper tube	15	25	02
PEZ-1435-01-4	Damper tube seat	15	20	02
PEZ-1436-21-4	Aluminium washer	15	42	02
PEZ-1437-09-4	Hex socket head cap screw	15	18	02
PEZ-1441-01-4	Air vent valve spring	15	38	02
PEZ-1442-13-4	Air vent valve screw	15	39	02
PEZ-1453-01-4	Drive sprocket 16T	09	29	01
PEZ-1456-01-4	Special nut	15	29	01
PEZ-1466-18-4	Drain washer	15	10	02
PEZ-1467-30-4	O Ring	15	37	02
PEZ-1473-01-4	Head lamp holder LH-Black	21	13	01
PEZ-1474-01-4	Head lamp holder RH (Black)	21	14	01
PEZ-1531-01-4	Head lamp housing (Red)	21	05	01
PEZ-1532-01-4	Head lamp housing (Silver)	21	06	01
PEZ-1543-30-4	Bellows	08	08	01
PEZ-1550-01-4	Hub Flange	18	12	01
PEZ-1588-01-2	Centre stand assy	30	21	01
PEZ-1603-01-4	Instruction sticker	29	11	01
PEZ-1607-01-5	Tension spring	30	25	02
PEZ-1640-30-4	Inspection cap chainguard	16	11	01
PEZ-1641-30-4	Rubber washer	16	13	04

PART No.	DESCRIPTION	Plate No.	SERIAL No.	NUMBER OFF
PEZ-1642-01-4	Connecting piece	16	16	01
PEZ-1668-10-4	Oil drain plug M6x7	15	09	02
PEZ-1683-29-3	Flasher unit	23	12	01
PEZ-1685-01-4	Spark plug	12	07	01
PEZ-1686-30-4	Fuel tube (inductor)	08	20	01
PEZ-1697-01-4	Resonator	08	17	01
PEZ-1703-28-4	Dall 01/4	15	36	02
PEZ-1733-01-4	Wire clamp	08	21	02
PEZ-1738-01-4	Cylinder head gasket	06	12	01
PEZ-1738-01-4	Cylinder head gasket	05	03	01
PEZ-1741-31-5	Gasket (inlet pipe)	08	01	01
PEZ-1741-31-5	Inlet pipe gasket	05	08	01
PEZ-1747-29-4	Battery cable-negative	31	09	01
PEZ-1750-32-4	Tube	08	07	01
PEZ-1755-30-4	Front mudflap	28	05	01
PEZ-1765-01-4	Head lamp housing (Blue)	21	07	01
PEZ-1792-29-4	Earthing cable	31	08	01
PEZ-1793-29-2	Cable-tail Lamp & Trafficator	31	02	01
PEZ-1800-01-4	Elastic bush	14	11	01
PEZ-1800-01-4	Elastic bush	16	02	02
PEZ-1814-01-4	Fork runner ring	13	10	02
PEZ-1825-16-4	Spl locking nut M6	26	13	01
PEZ-1851-08-4	Banjo bolt	26	34	01
PEZ-1852-08-4	Hex screw M6x14	17	15	09
PEZ-1853-01-4	Piston	26	24	01
PEZ-1854-30-4	Wiper	26	30	01
PEZ-1855-01-4	Piston washer	26	28	01
PEZ-1856-30-4	Rubber seal	26	26	01
PEZ-1857-21-4	Brass washer	26	29	01
PEZ-1858-30-4	Rubber seal	26	27	01
PEZ-1859-01-4	Piston bush	26	25	01
PEZ-1860-01-4	Piston spring	26	31	01
PEZ-1861-13-4	Sealing screw M10x1	26	19	01
PEZ-1864-30-4	"O" Ring	26	17	01
PEZ-1870-12-4	Head screw B24.8x19	26	23	03
PEZ-1871-32-2	Cover	19	03	01
PEZ-1873-01-4	Holding spring	19	11	01
PEZ-1874-01-4	Centre pin	19	10	02
PEZ-1875-01-4	Guide pin	19	08	02
PEZ-1876-01-4	Circlip	19	09	02
PEZ-1878-01-4	Brake liner set	19	02	01
PEZ-1884-01-4	Nipple	19	04	01
PEZ-1885-01-4	Rubber cap	19	05	01
PEZ-1912-29-4	CDI Unit	12	02	01
PEZ-2174-01-4	Throttle cable assy	26	36	01
PEZ-2181-16-4	Self locking nut M7	18	36	06
PEZ-2189-30-4	Sleeve with adopter	08	05	01
PEZ-2190-01-4	Throttle cable assy	26	37	01
PEZ-2191-01-4	Abutment	26	38	01
PEZ-2192-01-4	Kickstarter lever	01	09	01
PEZ-2203-29-4	Hand brake light switch	26	39	01
PEZ-2205-30-3	Rubber damper	06	23	02
PEZ-2214-32-4	Washer	26	22	01
PEZ-2226-01-0	Frame assy	13	01	01
PEZ-2244-01-4	Tension spring	18	20	02

PART No.	DESCRIPTION	Plate No.	SERIAL No.	NUMBER OFF
PEZ-2249-29-4	Battery cable cum charg. cable	31	06	01
PEZ-2250-29-4	Cable set for power regr.	31	04	01
PEZ-2251-29-4	Earthing cable	31	10	01
PEZ-2263-01-4	Side stand	30	28	01
PEZ-2301-29-2	Tail lamp assy	22	01	01
PEZ-2302-29-42	Tail lamp bulb 6V 5W	22	02	01
PEZ-2379-29-3	C T Coil comp*	12	03	01
PEZ-2397-32-2	Lettering (Fury)	29	04	01
PEZ-2400-01-4	Bracket assy (ET coil)	12	09	01
PEZ-2508-01-2	Fork crown top	15	30	01
PEZ-2576-08-4	Hex bolt M10x60	15	35	04
PEZ-2594-01-3	Fork crown bottom assy	15	34	01
PEZ-2598-14-4	Hex nut M10	15	31	04
PEZ-2648-01-3	Gear change lever	10	13	01
PEZ-2649-01-3	Gear change lever assy	10	17	01
PEZ-2650-18-4	Washer	01	14	01
PEZ-2651-01-4	Link plate	10	19	01
PEZ-2652-01-3	Undulated washer	01	13	01
PEZ-2653-01-4	connecting link	10	18	01
PEZ-2655-01-3	Coupling for toe heel	01	10	01
PEZ-2656-01-4	Kickstarter lever for toe	01	9	01
PEZ-2657-32-4	Cover	01	16	01
PEZ-2661-01-4	Foot rest plate LH	13	17	01
PEZ-2665-32-4	Ring	15	43	02
PEZ-2666-01-0	Front fork complete	15	01	01
PEZ-2668-01-1	Front mudguard assy	28	01	01
PEZ-2669-324	Damper tube washer	15	19	02
PEZ-2671-29-2	Head lamp light unit	21	02	01
PEZ-2680-01-3	Rear number plate assy	28	12	01
PEZ-2689-30-4	Rubber button	13	24	02
PEZ-2694-01-2	Cover assy	13	23	01
PEZ-2719-32-4	Filter insert	08	23	01
PEZ-2720-01-3	Air filter assy	08	10	01
PEZ-2754-01-3	Foot rest plate RH	13	20	01
PEZ-2768-01-3	Speedometer cable	24	14	01
PEZ-2776-32-4	Chain guide	16	08	01
PEZ-2778-01-3	Swing arm asy complete	16	01	01
PEZ-2800-01-1	Chainguard complete	16	07	01
PEZ-2826-01-4	Connecting line assy	07	17	01
PEZ-2827-01-4	Silent block assy	07	06	01
PEZ-2870-29-4	Trafficator	23	01	04
PEZ-2871-29-3	Trafficator cable LH	23	05	02
PEZ-2872-29-3	Trafficator cable RH	23	04	02
PEZ-2893-01-4	Petrol tank cap with lock	29	03	01
PEZ-2915-32-1	Cover	24	09	01
PEZ-2918-01-3	Support brkt assy	24	05	01
PEZ-2934-01-4	Stud	30	05	01
PEZ-2957-01-1	Dual seat assy	30	01	01
PEZ-2970-01-2	Pillion foot rest	16	22	02
PEZ-2971-30-0	Seat mattress	30	03	01
PEZ-2972-30-0	Seat cover	30	02	01
PEZ-2986-01-2	Cylinder head	06	13	01
PEZ-2988-01-3	Steering lock with ignition	13	02	01
PEZ-2996-32-4	Plastic bush	10	23	01
PEZ-3005-24-4	Radial retaining ring	01	15	01

PART No.	DESCRIPTION	Plate No.	SERIAL No.	NUMBER OFF
PEZ-3006-01-4	Shoulder pin	10	20	02
PEZ-3007-32-4	Collar bush	10	21	02
PEZ-3015-12-4	Head tapping screw B10x50	24	10	04
PEZ-3017-30-3	Square foot rest ruster	13	18	02
PEZ-3019-26-4	Spring dowel 5x22	13	19	02
PEZ-3023-01-1	Crankcase cover RH	04	01	01
PEZ-3024-01-4	Guide pin	04	16	01
PEZ-3025-01-3	Push rod	09	21	01
PEZ-3026-01-3	Shift fork	09	23	01
PEZ-3029-29-3	Signal lamp-amber	24	03	02
PEZ-3032-01-3	Gear slide bush	10	12	01
PEZ-3033-29-4	Switch (neutral indicator)	03	16	01
PEZ-3040-01-3	Inlet pipe	08	02	01
PEZ-3041-01-4	Hand lever LH	27	11	01
PEZ-3042-01-4	Handlever RH	26	11	01
PEZ-3047-01-4	Hand lever brkt LH	27	02	01
PEZ-3048-29-2	Dimmer switch	27	04	01
PEZ-3050-01-4	Clutch cable assy	27	14	01
PEZ-3054-32-2	Handle bar cover	25	05	01
PEZ-3056-29-2	RPM Meter complete	24	18	01
PEZ-3069-29-1	Main cable set	31	01	01
PEZ-3178-01-3	Cylinder	06	02	01
PEZ-3194-30-4	Sleeve	13	11	04
PEZ-3210-30-4	Rubber damper	06	21	02
PEZ-3211-30-3	Rubber damper	06	22	02
PEZ-3213-29-2	Integral magneto (12 pole)	12	01	01
PEZ-3214-01-4	Wire clamp-upper	15	07	02
PEZ-3215-30-3	Bellow	15	06	02
PEZ-3216-12-4	Head screw AM5x18	25	06	02
PEZ-3217-01-4	Side cover sticker medium grey	13	35	02
PEZ-3218-01-4	Side cover sticker white	13	36	03
PEZ-3219-01-3	Cylinder with piston	06	01	01
PEZ-3222-01-4	Master cyl with continer	26	16	01
PEZ-3239-30-4	Grommet	30	15	04
PEZ-3246-01-4	Tube	30	16	04
PEZ-3248-01-4	Knurled nut	30	19	02
PEZ-3250-13-4	Truss head screw M6x50	13	16	02
PEZ-3257-01-9	Crankcase LH with bush	02	01	01
PEZ-3258-01-9	Crankcase RH with bushes	03	01	01
PEZ-3259-01-9	tail piece (RH cover)	04	19	01
PEZ-3261-01-1	Rear mudguard	28	10	01
PEZ-3263-01-3	Rear extension	28	11	01
PEZ-3266-01-2	Pillion holder	30	10	01
PEZ-3267-01-2	Petrol Tank (Black/Red)	29	01	01
PEZ-3268-01-2	Petrol Tank (Blue/S.Grey)	29	02	01
PEZ-3269-01-4	Sticker (Medium Grey)	29	13	02
PEZ-3270-01-4	Sticker (White)	29	12	02
PEZ-3271-01-4	Rear fairing sticker	30	14	01
PEZ-3272-01-4	Rear fairing sticker	30	13	01
PEZ-3282-01-1	Side cover LH comp Bl/Red	13	12	01
PEZ-3283-01-1	Side cover LH comp Bl/Gr	13	13	01
PEZ-3284-01-1	Side cover RH comp Bl/Red	13	14	01
PEZ-3285-01-1	Side cover RH comp Bl/Gr	13	15	01
PEZ-3286-01-2	Tool box	13	31	01
PEZ-3287-01-4	Head lamp holder LH-OX BL	21	15	01

PART No.	DESCRIPTION	Plate No.	SERIAL No.	NUMBER OFF
PEZ-3288-01-4	Head lamp holder RH-OX BL	21	16	01
PEZ-3289-01-3	Rear fairing (Black & Red)	30	11	01
PEZ-3290-01-3	Rear fairing (Blue & Silver)	30	12	01
PEZ-3295-29-9	Hi-Lo switch	27	05	01
PEZ-3296-29-9	Turn signal switch	27	06	01
PEZ-3297-29-9	Horn-flash switch	27	07	01
PEZ-3298-29-9	End cap	27	08	01
PEZ-3299-29-9	Adaptor with screws	27	09	01
PEZ-3306-01-9	Shock absorber complete	16	17	02
PEZ-5010-28-4	Ball bearing 6202/C3/15x3	18	02	01
PEZ-5013-28-4	Ball bearing 6005/C3/25x4	03	09	01
PEZ-5084-32-4	Strap	13	37	03
PEZ-5437-01-4	Fuel tap assy	29	07	01
PEZ-5442-32-4	Fiber washer	29	08	01
PEZ-5443-32-4	Fibre washer	29	09	AR
PEZ-5445-01-3	Foot brake lever assy	20	01	01
PEZ-5578-01-4	Kickstarter arm	01	20	01

5/11/62

THE ENFIELD INDIA LIMITED

Spare Parts Department,
PLOT No. 72,
SIPCOT INDUSTRIAL COMPLEX,
RANIPET - 632 403.