



SPARE PARTS CATALOGUE

ZÜNDAPP CITATION

www.zundappveteranclub.de

ZÜNDAPP-WERKE G.M.B.H. • NÜRNBERG



www.zundappveteranenclub.nl



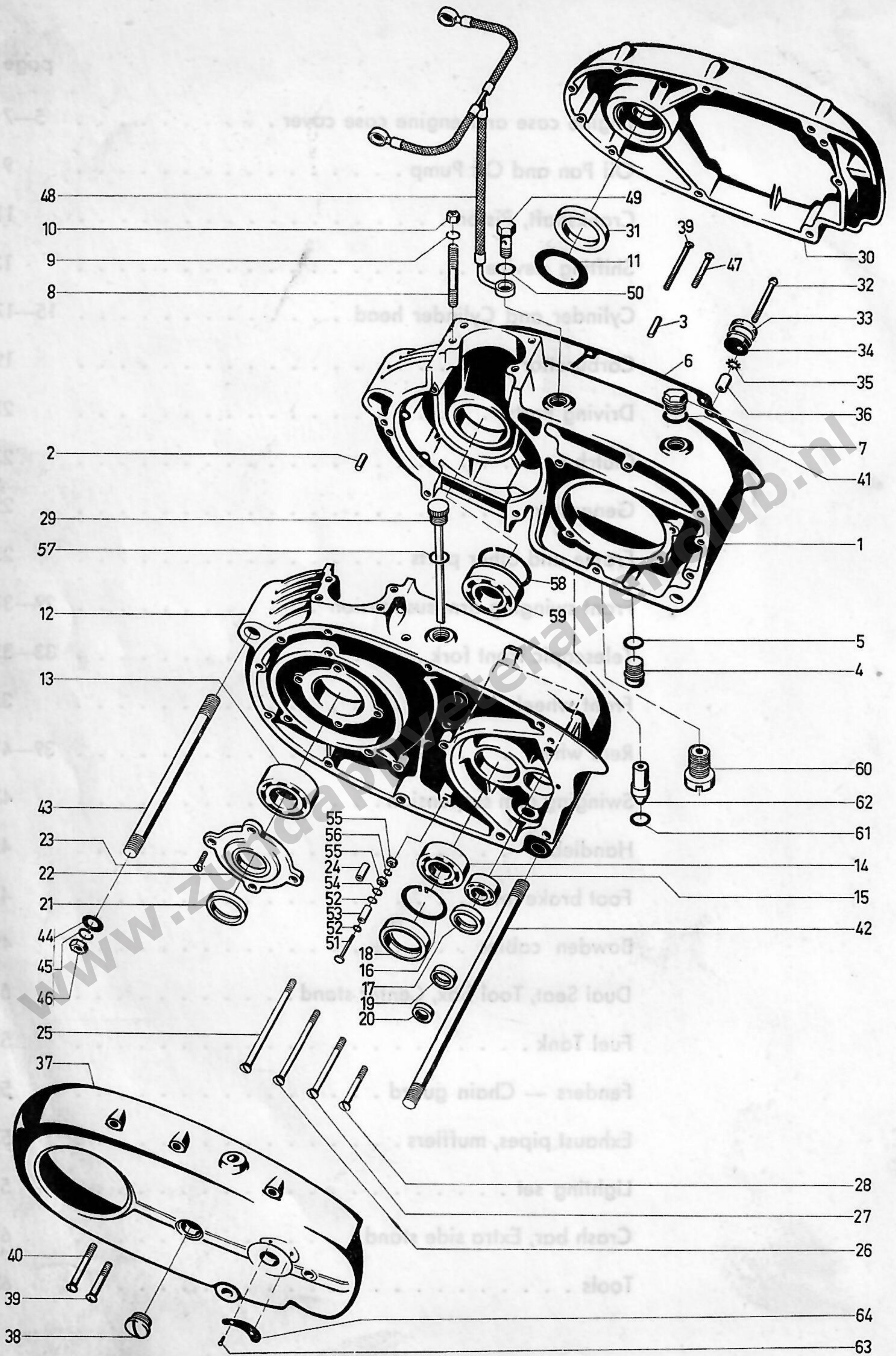
SPARE PARTS CATALOGUE

ZÜNDAPP CITATION

www.zundappveteranclub.de

ZÜNDAPP-WERKE G.M.B.H. · NÜRNBERG

	page
Engine case and engine case cover	5—7
Oil Pan and Oil Pump	9
Crankshaft, Piston	11
Shifting device	13
Cylinder and Cylinder head	15—17
Carburettor	19
Driving Parts	21
Clutch	23
Generator	25
Frame and other parts	27
Front swinging arm suspension	29—31
Telescopic front fork	33—35
Front wheel	37
Rear wheel	39—41
Swinging arm suspension	43
Handlebar	45
Foot brake lever	47
Bowden cables	49
Dual Seat, Tool box, Center stand	51
Fuel Tank	53
Fenders — Chain guard	55
Exhaust pipes, mufflers	57
Lighting set	59
Crash bar, Extra side stand	61
Tools	63



Engine case and engine case cover

Picture No.	Order No.	Designation	Quantity
1	23 11 02 00	Engine case, right	1
2	DIN 7	Cylindrical pin 8×20	2
3	DIN 7	Cylindrical pin 6×20	5
4	DIN 908	Screw plug M 14×1,5	1
5	DIN 7603	Seal ring C 14×18	1
6	07 22 90 01	Gasket for Engine case cover, right	1
7	03 22 12 00	Cover	1
8	00 91 45 02	Stud screw	8
9	DIN 127	Spring washer	8
10	00 91 18 11	Hexagon nut	8
11	00 91 35 102	Spacer shim	X
	00 91 35 103	Spacer shim	X
	00 91 35 104	Spacer shim	X
12	23 11 01 00	Engine case, left	1
13	DIN 5412	Roller bearing with inner ring NJM 25 Cna	1
14	DIN 5412	Roller bearing with inner ring NJM 20 C3na	1
15	DIN 625	Roller bearing with inner ring 6304 C3	1
16	DIN 472	Circlip 52×2	1
17	DIN 6504	Seal ring	1
18	DIN 6504	Seal ring	1
19	DIN 6504	Seal ring	1
20	DIN 6504	Seal ring	1
21	DIN 6504	Seal ring	1
22	23 11 55 00	Seal carrier	1
23	DIN 63	Oval head screw	4
24	07 22 41 01	Bushing for clutch pressure bolt	1
25	DIN 91	Oval head screw	1
26	DIN 91	Oval head screw	7
27	DIN 91	Oval head screw	1
28	DIN 91	Oval head screw	1
29	23 10 44 00	Dipstick	1
30	07 11 11 03	Engine case cover, right	1
31	DIN 6504	Seal ring	1
32	DIN 91	Oval head screw	1
33	00 94 79 06	Rubber roller	1
34	07 22 22 00—	Brake stop roller	1
35	DIN 6797	Spring washer	1
36	00 92 32 46	Spacer roller	1
37	07 11 10 02	Engine case cover, left	1
38	07 24 55 01	Screw plug	1
39	DIN 91	Oval head screw	16
40	DIN 91	Oval head screw	1
41	DIN 7603	Packing washer	1
42	07 32 51 00—	Engine fastening spindle, rear	1
43	07 32 52 02	Engine fastening spindle, front	1
44	00 91 30 39	Washer	2
45	DIN 127	Spring washer	2
46	DIN 934	Hexagon nut	2
47	DIN 91	Oval head screw	2
48	07 16 12 02	Oil Pipe	1
49	23 10 93 00	Hollow screw	1
50	DIN 7603	Packing washer	2
51	07 17 45 00	Contact screw for neutral indicator	1
52	00 94 15 17	Gasket	2
53	00 98 54 20	Isolating sleeve	1
54	00 91 30 01	Washer	1

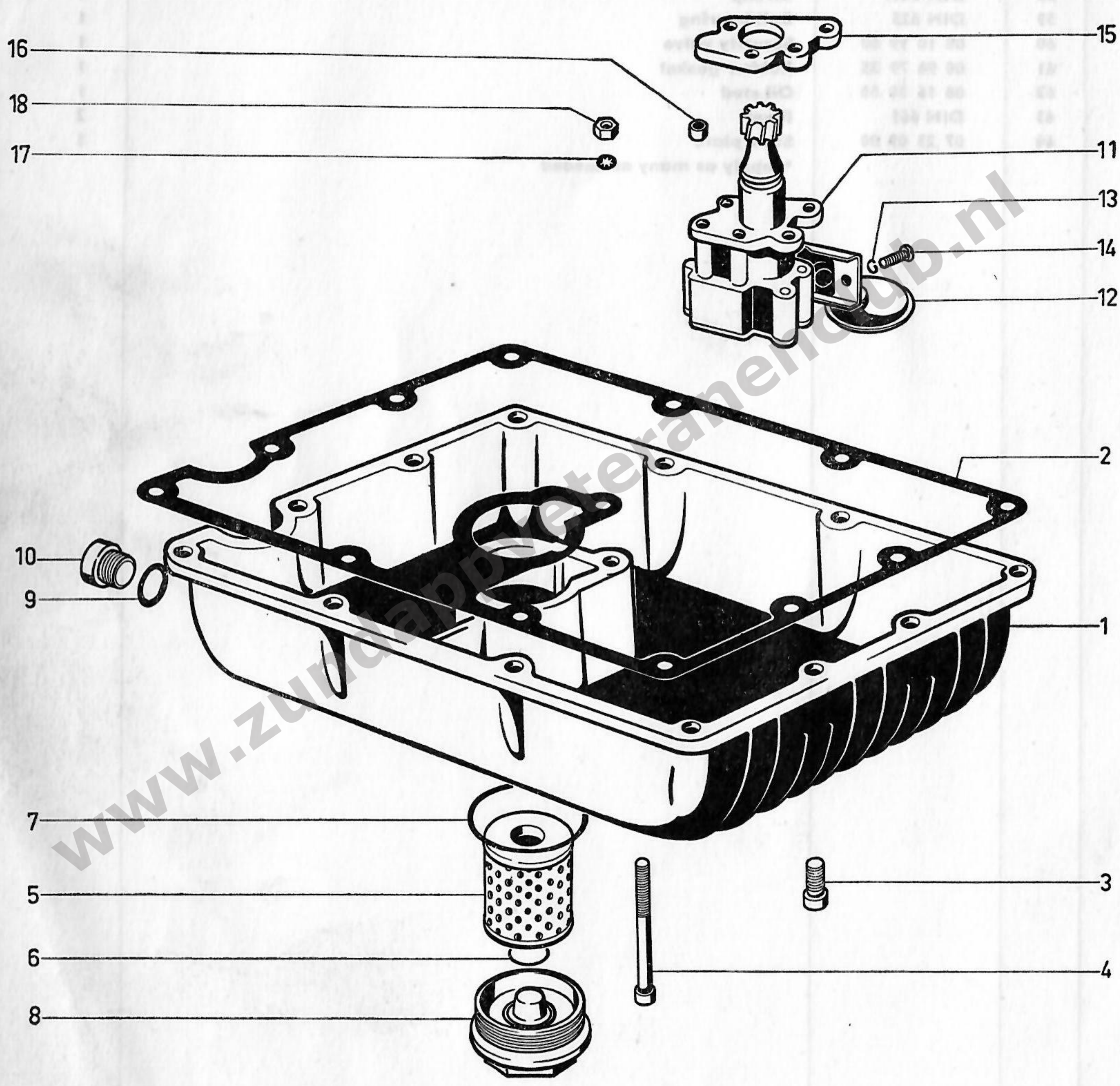
Engine case and engine case cover

Picture No.	Order No.	Designation	Quantity
55	DIN 934	Hexagon nut M 4	2
56	DIN 127	Spring washer	1
57	DIN 7603	Packing washer	1
58	DIN 5417	Circlip	1
59	DIN 625	Ball bearing	1
60	08 10 99 00	Security valve	1
61	00 94 79 35	Rubber gasket	1
62	08 16 30 00	Oil stud	1
63	DIN 661	Rivet	2
64	07 23 09 00	Slide plate	1
		* apply as many as needed	



Engine case and engine case cover

Quantity	Description	Order No.	Part No.
1	Engine case	01H 001	01
1	Engine case cover	01H 002	02
1	Oil filter	01H 003	03
1	Oil filter cap	01H 004	04
1	Oil filter gasket	01H 005	05
1	Oil filter seal	01H 006	06
1	Oil filter nut	01H 007	07
1	Oil filter washer	01H 008	08
1	Oil filter gasket	01H 009	09
1	Oil filter seal	01H 010	10
1	Oil filter nut	01H 011	11
1	Oil filter washer	01H 012	12
1	Oil filter gasket	01H 013	13
1	Oil filter seal	01H 014	14
1	Oil filter nut	01H 015	15
1	Oil filter washer	01H 016	16
1	Oil filter gasket	01H 017	17
1	Oil filter seal	01H 018	18
1	Oil filter nut	01H 019	19
1	Oil filter washer	01H 020	20
1	Oil filter gasket	01H 021	21
1	Oil filter seal	01H 022	22
1	Oil filter nut	01H 023	23
1	Oil filter washer	01H 024	24
1	Oil filter gasket	01H 025	25
1	Oil filter seal	01H 026	26
1	Oil filter nut	01H 027	27
1	Oil filter washer	01H 028	28
1	Oil filter gasket	01H 029	29
1	Oil filter seal	01H 030	30
1	Oil filter nut	01H 031	31
1	Oil filter washer	01H 032	32
1	Oil filter gasket	01H 033	33
1	Oil filter seal	01H 034	34
1	Oil filter nut	01H 035	35
1	Oil filter washer	01H 036	36
1	Oil filter gasket	01H 037	37
1	Oil filter seal	01H 038	38
1	Oil filter nut	01H 039	39
1	Oil filter washer	01H 040	40
1	Oil filter gasket	01H 041	41
1	Oil filter seal	01H 042	42
1	Oil filter nut	01H 043	43
1	Oil filter washer	01H 044	44
1	Oil filter gasket	01H 045	45
1	Oil filter seal	01H 046	46
1	Oil filter nut	01H 047	47
1	Oil filter washer	01H 048	48
1	Oil filter gasket	01H 049	49
1	Oil filter seal	01H 050	50
1	Oil filter nut	01H 051	51
1	Oil filter washer	01H 052	52
1	Oil filter gasket	01H 053	53
1	Oil filter seal	01H 054	54
1	Oil filter nut	01H 055	55
1	Oil filter washer	01H 056	56
1	Oil filter gasket	01H 057	57
1	Oil filter seal	01H 058	58
1	Oil filter nut	01H 059	59
1	Oil filter washer	01H 060	60
1	Oil filter gasket	01H 061	61
1	Oil filter seal	01H 062	62
1	Oil filter nut	01H 063	63
1	Oil filter washer	01H 064	64
1	Oil filter gasket	01H 065	65
1	Oil filter seal	01H 066	66
1	Oil filter nut	01H 067	67
1	Oil filter washer	01H 068	68
1	Oil filter gasket	01H 069	69
1	Oil filter seal	01H 070	70
1	Oil filter nut	01H 071	71
1	Oil filter washer	01H 072	72
1	Oil filter gasket	01H 073	73
1	Oil filter seal	01H 074	74
1	Oil filter nut	01H 075	75
1	Oil filter washer	01H 076	76
1	Oil filter gasket	01H 077	77
1	Oil filter seal	01H 078	78
1	Oil filter nut	01H 079	79
1	Oil filter washer	01H 080	80
1	Oil filter gasket	01H 081	81
1	Oil filter seal	01H 082	82
1	Oil filter nut	01H 083	83
1	Oil filter washer	01H 084	84
1	Oil filter gasket	01H 085	85
1	Oil filter seal	01H 086	86
1	Oil filter nut	01H 087	87
1	Oil filter washer	01H 088	88
1	Oil filter gasket	01H 089	89
1	Oil filter seal	01H 090	90
1	Oil filter nut	01H 091	91
1	Oil filter washer	01H 092	92
1	Oil filter gasket	01H 093	93
1	Oil filter seal	01H 094	94
1	Oil filter nut	01H 095	95
1	Oil filter washer	01H 096	96
1	Oil filter gasket	01H 097	97
1	Oil filter seal	01H 098	98
1	Oil filter nut	01H 099	99
1	Oil filter washer	01H 100	100

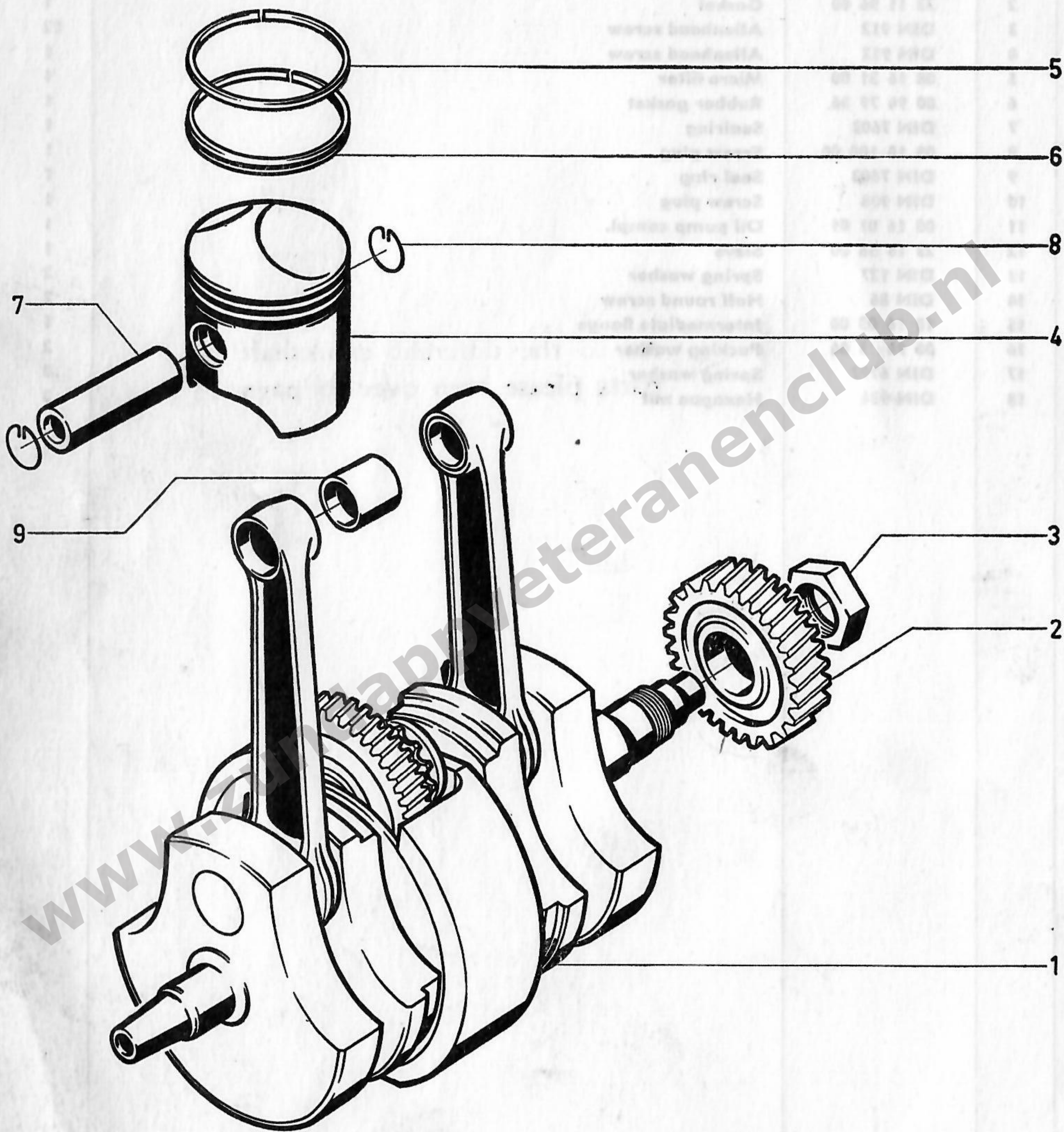


Oil Pan and Oil Pump

Picture No.	Order No.	Designation	Quantity
1	23 11 06 00	Oil Pan	1
2	23 11 96 00	Gasket	1
3	DIN 912	Allenhead screw	12
4	DIN 912	Allenhead screw	1
5	08 16 31 00	Micro filter	1
6	00 94 79 36	Rubber gasket	1
7	DIN 7603	Sealring	1
8	08 10 100 00	Screw plug	1
9	DIN 7603	Seal ring	1
10	DIN 908	Screw plug	1
11	08 16 01 01	Oil pump compl.	1
12	23 16 56 00	Sieve	1
13	DIN 127	Spring washer	2
14	DIN 86	Half round screw	2
15	18 16 05 00	Intermediate flange	1
16	00 94 15 04	Packing washer	2
17	DIN 6797	Spring washer	3
18	DIN 934	Hexagon nut	3

Oil Pan and Oil Pump

Quantity	Description	Order No.	Part No.
----------	-------------	-----------	----------



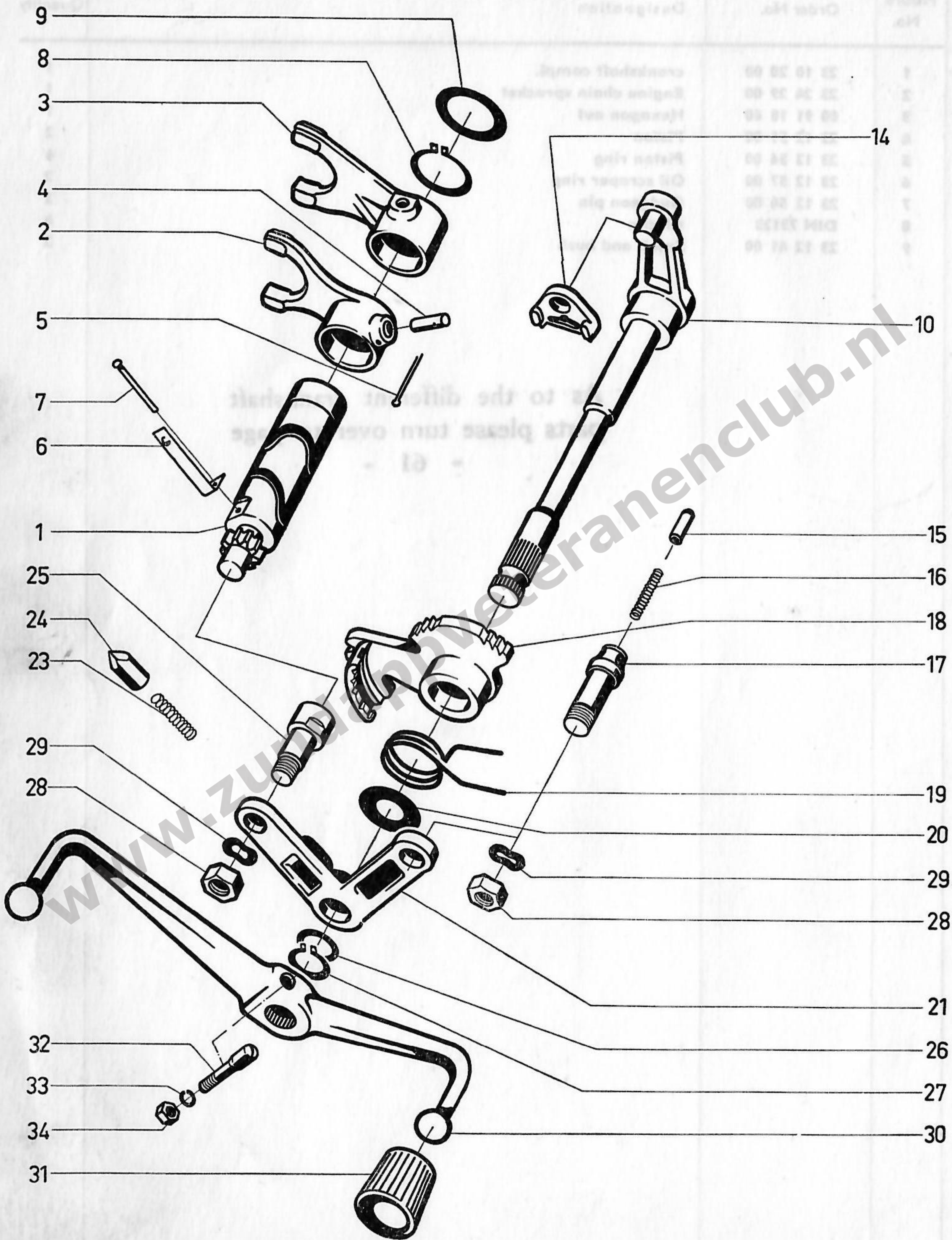
Crankshaft, Piston

Picture No.	Order No.	Designation	Quantity
1	23 10 20 00	crankshaft compl.	1
2	23 24 29 00	Engine chain sprocket	1
3	00 91 18 60	Hexagon nut	1
4	23 12 51 00	Piston	2
5	23 12 56 00	Piston ring	4
6	23 12 57 00	Oil scraper ring	2
7	23 12 54 00	Gudgeon pin	2
8	DIN 73123	Circlip	4
9	23 12 41 00	Small end bush	2

As to the different crankshaft
parts please turn over to page

- 61 -

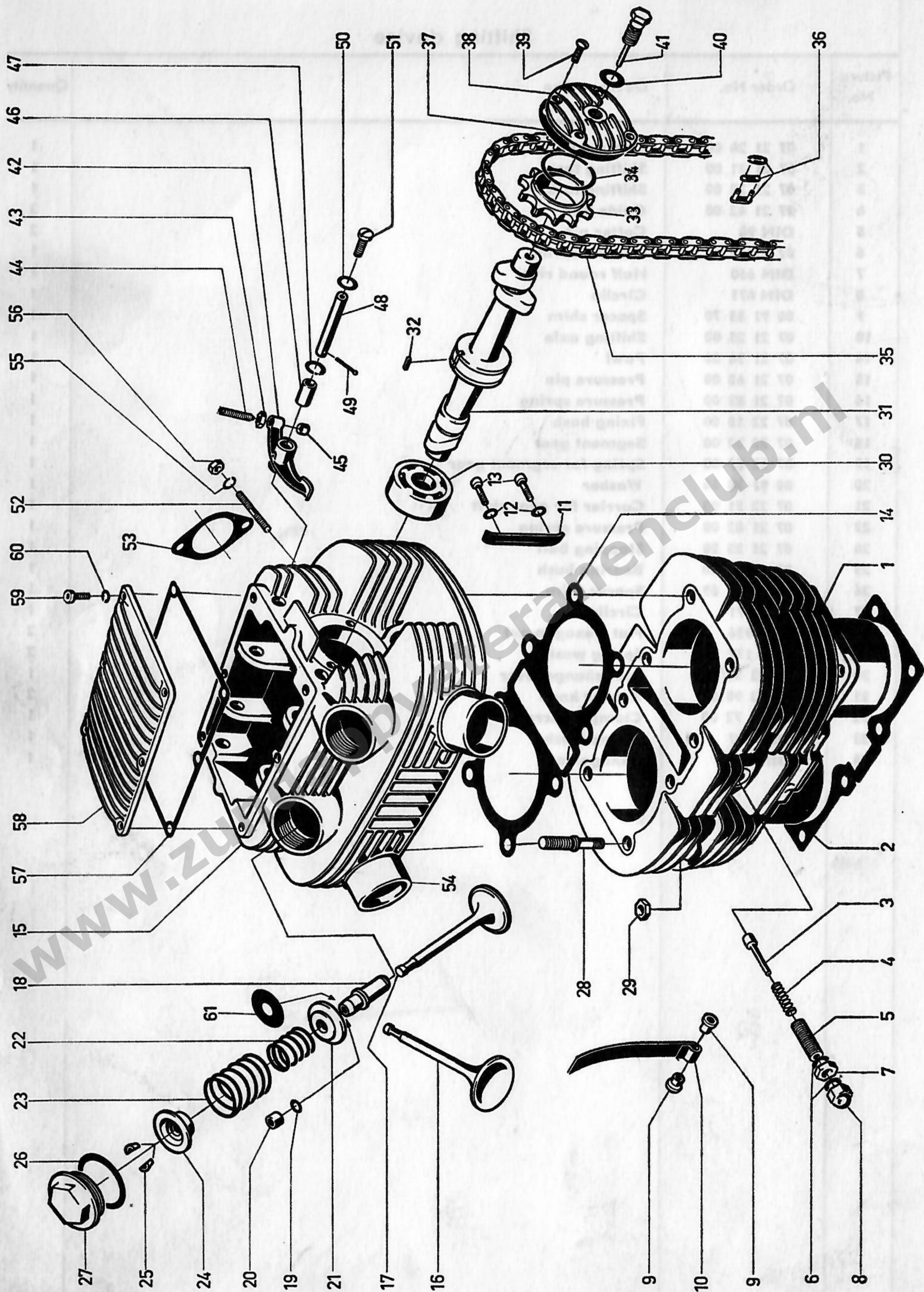
Crankshaft, Piston



Part No.	Order No.	Description
1	22 10 20 00	Crankshaft main
2	22 24 20 00	Engine chain sprocket
3	22 27 10 00	Timing gear
4	22 13 24 00	Piston ring
5	22 13 27 00	Oil scraper ring
6	22 13 24 00	Piston ring
7	22 13 24 00	Oil scraper ring
8	22 13 24 00	Piston ring
9	22 13 24 00	Piston ring

Shifting device

Picture No.	Order No.	Designation	Quantity
1	07 21 24 00	Cam drum	1
2	07 21 31 00	Shifting fork	1
3	07 21 32 00	Shifting fork	1
4	07 21 42 00	Guide bolt	2
5	DIN 94	Cotter pin	2
6	07 22 82 00	Contact spring	1
7	DIN 660	Half round rivet	1
8	DIN 471	Circlip	1
9	00 91 35 70	Spacer shim	1
10	07 21 25 00	Shifting axle	1
14	07 21 34 00	Pawl	1
15	07 21 60 00	Pressure pin	1
16	07 21 83 00	Pressure spring	1
17	07 22 18 00	Fixing bush	1
18	07 22 20 00	Segment gear	1
19	07 22 83 00	Spring for segment gear	1
20	00 91 30 64	Washer	1
21	07 22 51 00	Carrier for gear shift	1
23	07 21 82 00	Pressure spring	1
24	07 21 35 00	Stopping bolt	1
25	07 22 45 00	Bearing bush	1
26	00 91 35 69	Spacer shim	1
27	DIN 471	Circlip	1
28	DIN 936	Flat Hexagon nut	2
29	DIN 137	Spring washer	2
30	07 22 36 00	Foot change lever	1
31	07 53 90 00	Rubber knob	2
32	01 22 72 00	Clamping screw	1
33	DIN 127	Spring washer	1
34	DIN 934	Hexagon nut	1



Cylinder and Cylinder head

Picture No.	Order No.	Designation	Quantity
1	23 14 05 00	Cylinder	1
2	23 14 90 00	Cylinder bottom gasket	1
3	07 13 99 00	Adjusting bolt	1
4	00 93 26 03	Spring	1
5	07 13 89 01	Tension screw	1
6	DIN 7603	Seal ring	2
7	00 91 18 03	Hexagon nut	1
8	00 91 18 09	Hat nut M 14×1,5	1
9	00 94 81 00	Rubber bush	2
10	07 13 93 01	Tension lever	1
11	07 13 91 02	Guide shoe	1
12	DIN 7603	Seal ring	2
13	DIN 912	Allenhead screw	2
14	23 14 91 00	Cylinder head gasket	1
15	23 14 06 00	Cylinder head	1
16	07 13 11 10	Valve, exhaust	2
17	07 13 10 10	Valve, inlet	2
18	07 13 44 03	Valve guide	4
19	00 94 79 29	Rubber ring	4
20	07 13 48 01	Valve guide cap	4
21	01 13 15 00	Valve bottom collar	4
22	03 13 81 00	Valve spring, inner	4
23	11 13 82 00	Valve spring, outer	4
24	07 13 16 01	Valve top collar	4
25	07 13 17 00	Valve cotter	8
26	DIN 7603	Seal ring	4
27	07 14 11 00	Screw plug	4
28	07 13 75 00	Screw pin M 10 — M 8	8
29	00 91 18 11	Hexagon nut M 8	8
30	DIN 625	Ball bearing	2
31	07 13 01 60	Camshaft	1
32	DIN 6885	Fitting key	1
33	07 13 20 01	Chain sprocket	1
34	DIN 471	Circlip	2
35	07 13 90 00	Timing chain 64 links	1
36		Chain link	1
37	07 14 95 00	Gasket for bearing cover	2
38	07 14 61 02	Bearing cover	2
39	00 91 11 09	Oval head screw	8
40	DIN 7603	Seal ring	4
41	07 16 74 02	Oil pipe stud	2
42	07 10 33 00	Rocker arm with bush	4
43	00 91 18 04	Hexagon nut M 8×1	4
44	07 13 71 00	Pressure bolt	4
45	07 13 60 00	Ball pan	4
46	07 13 42 01	Bush for rocker arm	4
47	00 91 35 41	Shim	×
	00 91 35 42	Shim	×
	00 91 35 43	Shim	×
	00 91 35 52	Shim	×
	00 91 35 53	Shim	×
	00 91 35 54	Shim	×
48	07 13 36 01	Rocker arm axle	4
49	DIN 1471	Conical pin	4
50	00 94 15 62	Seal ring	4
51	07 13 69 00	Screw for rocker arm axle	4

Cylinder and Cylinder head

Quantity	Description	Order No.	Price per
1	Cylinder	02 12 02 00	
2	Cylinder bottom gasket	02 12 02 00	
3	Adjusting ball	02 12 02 00	
4	Spring	02 12 02 00	
5	Tension screw	02 12 02 00	
6	Ball ring	02 12 02 00	
7	Hexagon nut	02 12 02 00	
8	Flat nut M 12 x 1.5	02 12 02 00	
9	Rubber bush	02 12 02 00	
10	Tension lever	02 12 02 00	
11	Guide shoe	02 12 02 00	
12	Ball ring	02 12 02 00	
13	Adjusting screw	02 12 02 00	
14	Cylinder head gasket	02 12 02 00	
15	Cylinder head	02 12 02 00	
16	Valve exhaust	02 12 02 00	
17	Valve inlet	02 12 02 00	
18	Valve guide	02 12 02 00	
19	Valve ring	02 12 02 00	
20	Valve cap	02 12 02 00	
21	Valve collar	02 12 02 00	
22	Valve spring	02 12 02 00	
23	Valve tap collar	02 12 02 00	
24	Valve cutter	02 12 02 00	
25	Ball ring	02 12 02 00	
26	Ball ring	02 12 02 00	
27	Screw pin M 12 - M 8	02 12 02 00	
28	Hexagon nut M 8	02 12 02 00	
29	Ball bearing	02 12 02 00	
30	Camshaft	02 12 02 00	
31	Fitting key	02 12 02 00	
32	Chain sprocket	02 12 02 00	
33	Group	02 12 02 00	
34	Timing chain 52 links	02 12 02 00	
35	Chain link	02 12 02 00	
36	Gasket for bearing cover	02 12 02 00	
37	Bearing cover	02 12 02 00	
38	Oil head screw	02 12 02 00	
39	Ball ring	02 12 02 00	
40	Oil pipe stud	02 12 02 00	
41	Socket arm with bush	02 12 02 00	
42	Hexagon nut M 12	02 12 02 00	
43	Exhaust ball	02 12 02 00	
44	Ball pin	02 12 02 00	
45	Bush for rod end arm	02 12 02 00	
46	Shim	02 12 02 00	
47	Shim	02 12 02 00	
48	Shim	02 12 02 00	
49	Shim	02 12 02 00	
50	Shim	02 12 02 00	
51	Shim	02 12 02 00	
52	Shim	02 12 02 00	
53	Socket arm with bush	02 12 02 00	
54	Control pin	02 12 02 00	
55	Ball ring	02 12 02 00	
56	Bush for rod end arm	02 12 02 00	

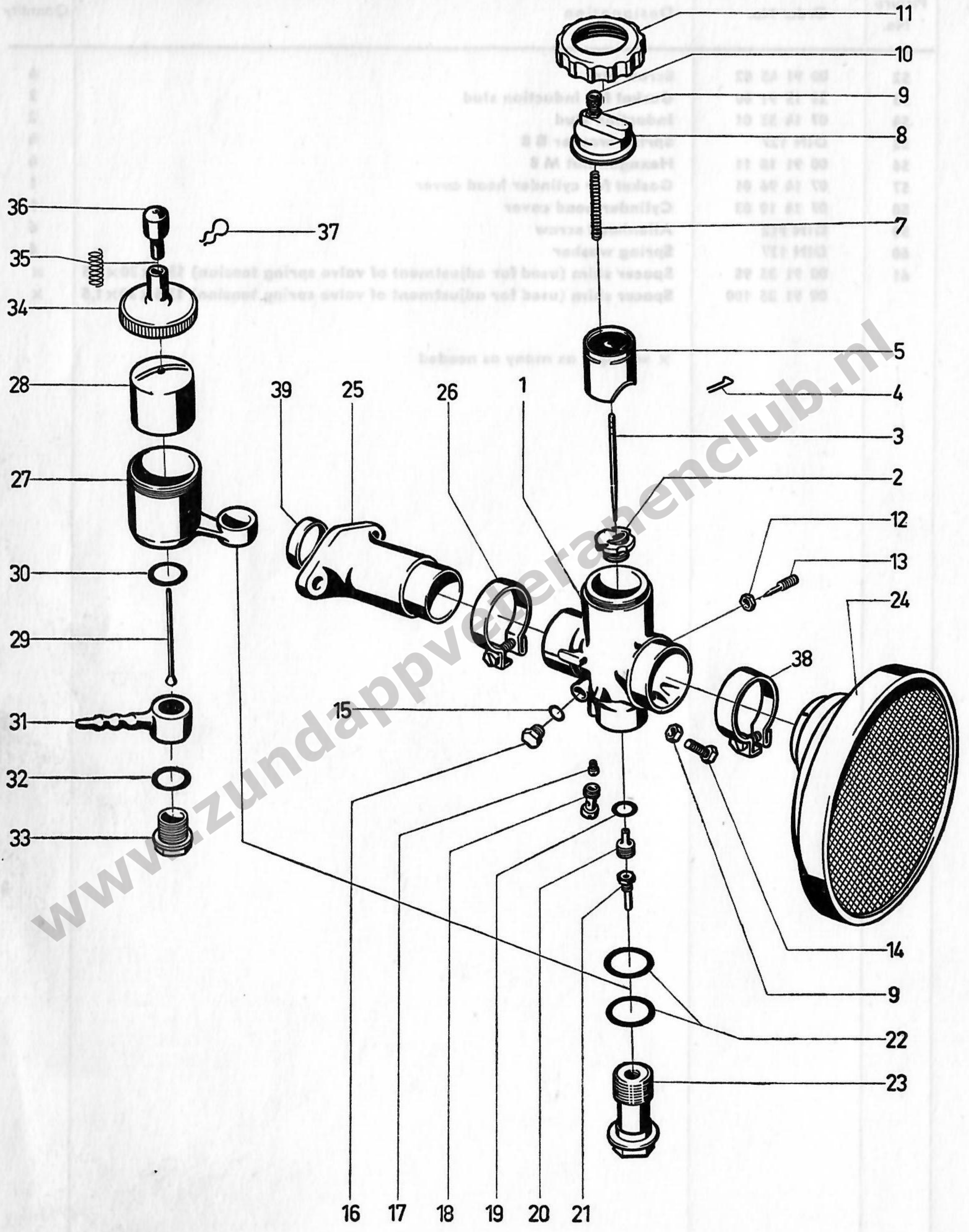
www.zundappveteranclub.nl

Cylinder and Cylinder head

Picture No.	Order No.	Designation	Quantity
52	00 91 45 02	Screw pin	4
53	23 15 91 00	Gasket for induction stud	2
54	07 14 55 01	Induction stud	2
55	DIN 127	Spring washer B 8	4
56	00 91 18 11	Hexagon nut M 8	4
57	07 14 96 01	Gasket for cylinder head cover	1
58	07 14 10 03	Cylinder head cover	1
59	DIN 912	Allenhead screw	6
60	DIN 127	Spring washer	6
61	00 91 35 98	Spacer shim (used for adjustment of valve spring tension) 13,5×30×0,5	×
	00 91 35 100	Spacer shim (used for adjustment of valve spring tension) 13,5×30×1,5	×

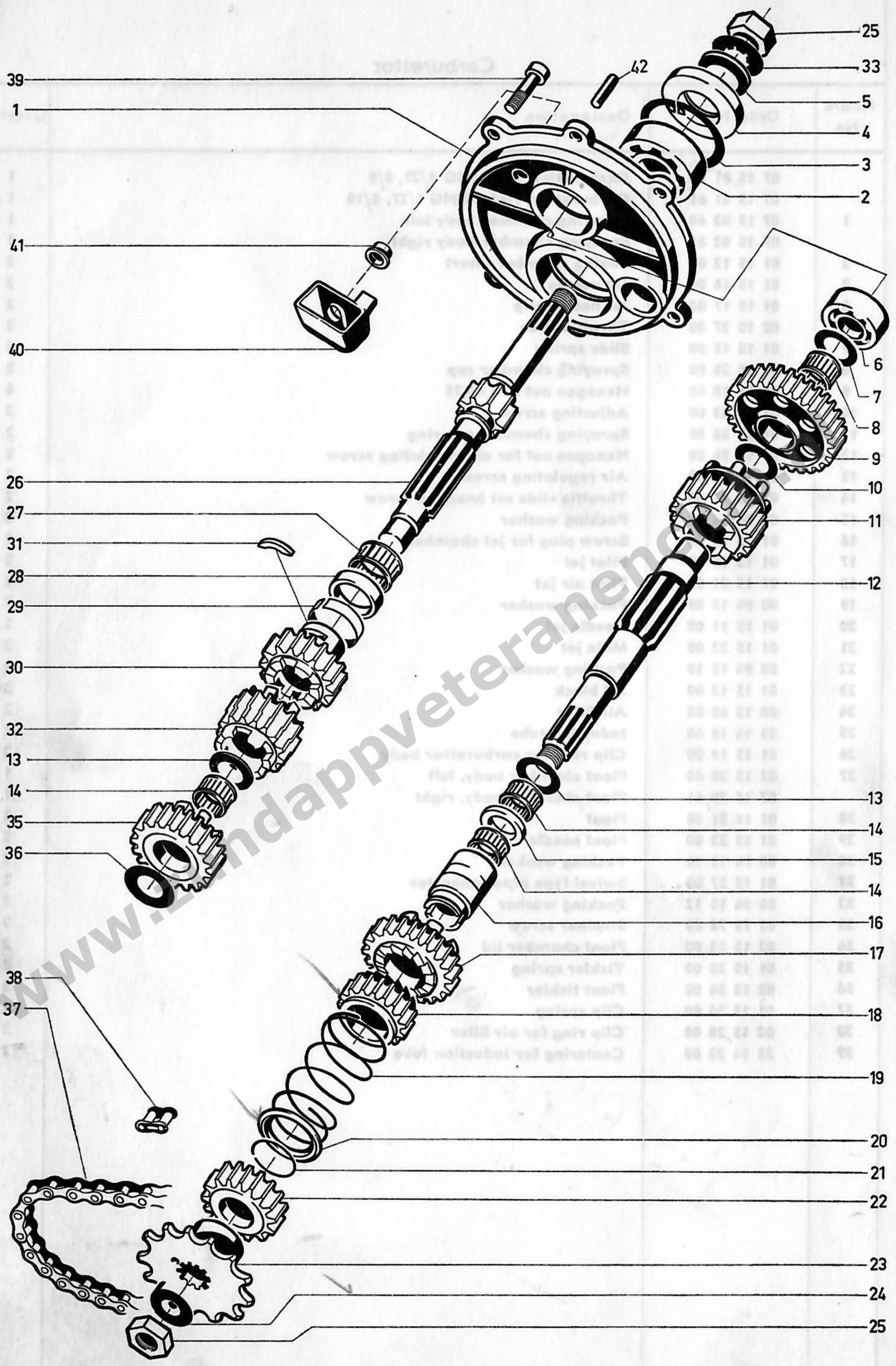
× = apply as many as needed

Cylinder and Cylinder head



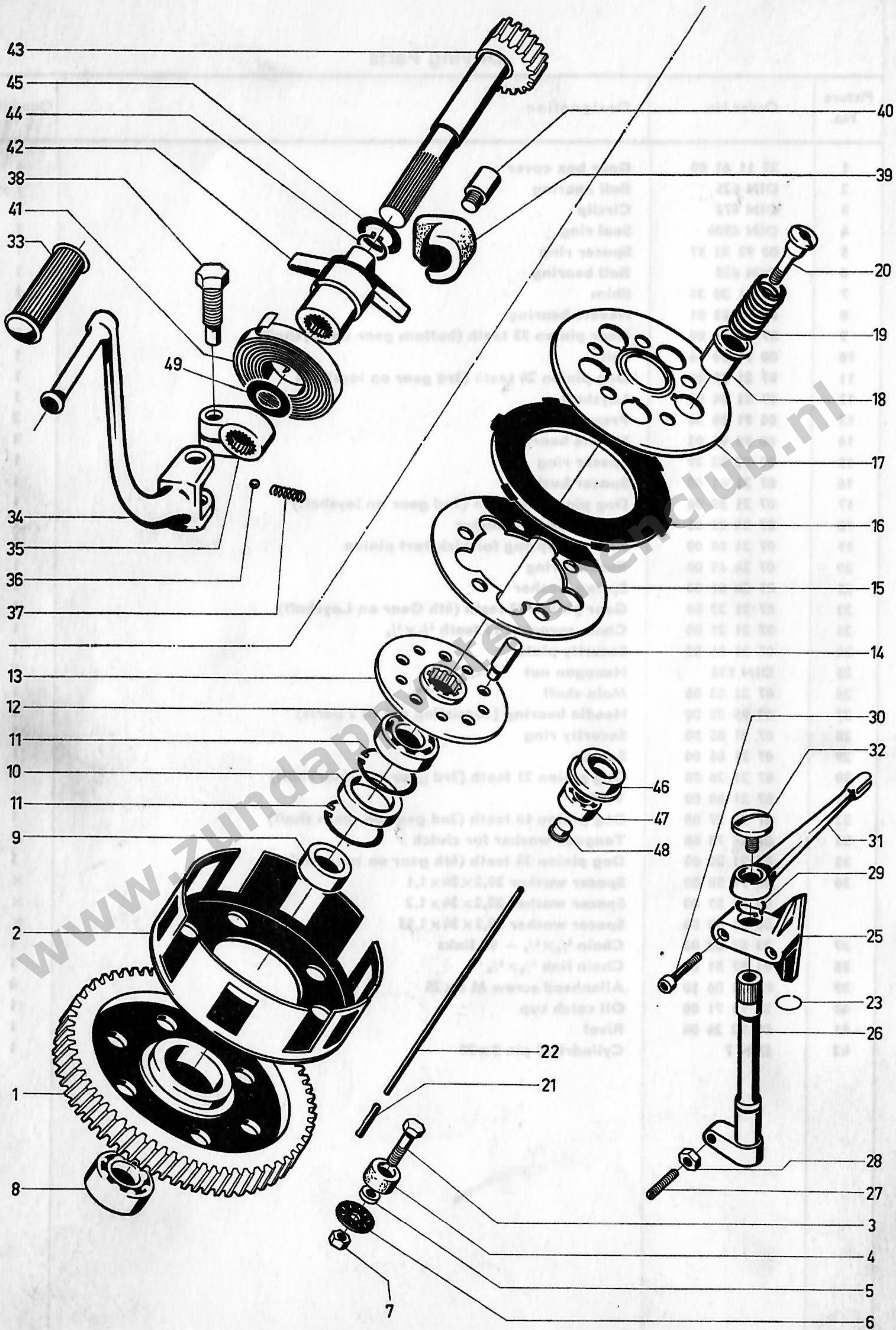
Carburettor

Picture No.	Order No.	Designation	Quantity
	07 15 01 60	Carburettor, left BING 1/27, 5/9	1
	07 15 01 61	Carburettor, right BING 1/27, 5/10	1
1	07 15 02 60	Spraying chamber body left	1
	07 15 02 61	Spraying chamber body right	1
2	01 15 12 00	Mixing chamber insert	2
3	01 15 16 00	Jet needle	2
4	01 15 17 00	Jet needle clip	2
5	02 15 27 00	Throttle slide	2
7	01 15 15 00	Slide spring	2
8	07 15 25 00	Spraying chamber cap	2
9	00 91 18 48	Hexagon nut M 6×0,75	4
10	01 15 23 00	Adjusting screw	2
11	01 15 26 00	Spraying chamber cap ring	2
12	01 15 74 00	Hexagon nut for air regulating screw	2
13	01 15 24 00	Air regulating screw	2
14	01 15 71 00	Throttle slide set hexagon screw	2
15	00 94 15 05	Packing washer	2
16	01 15 72 00	Screw plug for jet chamber	2
17	01 15 18 00	Pilot jet	2
18	01 15 21 00	Pilot air jet	2
19	00 94 15 09	Packing washer	2
20	01 15 11 00	Needle jet	2
21	01 15 22 00	Main jet	2
22	00 94 15 10	Packing washer	4
23	01 15 13 00	Jet block	2
24	00 15 60 03	Air filter	2
25	23 14 18 00	Induction tube	2
26	01 15 19 00	Clip ring for carburettor body	2
27	07 15 30 60	Float chamber body, left	1
	07 15 30 61	Float chamber body, right	1
28	01 15 31 00	Float	2
29	01 15 32 00	Float needle	2
30	00 94 15 14	Packing washer	2
31	01 15 37 00	Swivel type pipe connector	2
32	00 94 15 12	Packing washer	2
33	01 15 76 00	Strainer screw	2
34	02 15 33 00	Float chamber lid	2
35	01 15 35 00	Tickler spring	2
36	03 15 34 00	Float tickler	2
37	01 15 36 00	Clip spring	2
38	02 15 20 00	Clip ring for air filter	2
39	23 14 22 00	Centering for induction tube	2



Driving Parts

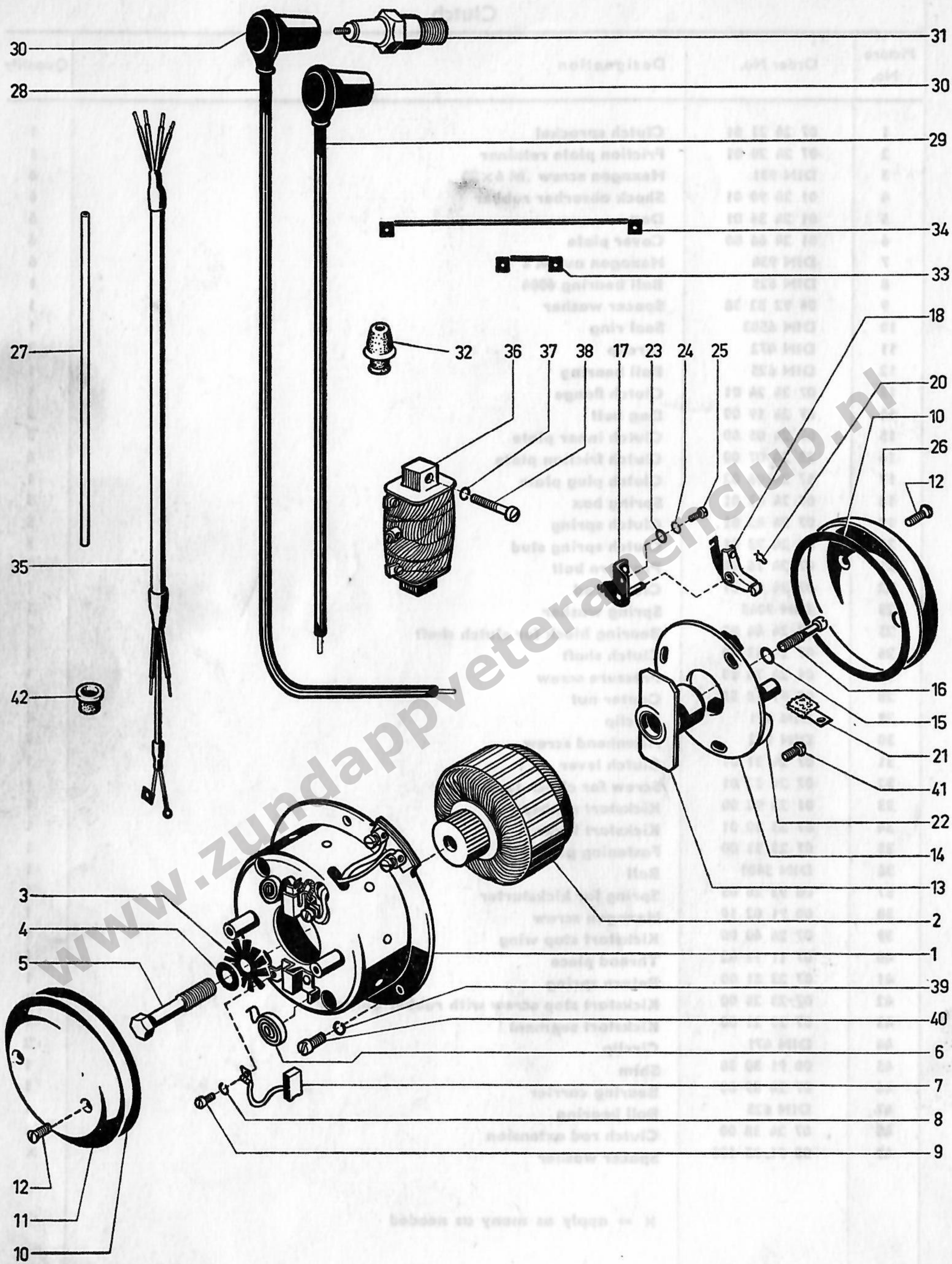
Picture No.	Order No.	Designation	Quantity
1	23 11 61 00	Gear box cover	1
2	DIN 625	Ball bearing	1
3	DIN 472	Circlip	2
4	DIN 6504	Seal ring	1
5	00 92 32 37	Spacer ring	1
6	DIN 625	Ball bearing	1
7	00 91 30 35	Shim	1
8	00 95 03 01	Needle bearing	1
9	07 21 28 00	Gear pinion 33 teeth (bottom gear on layshaft)	1
10	00 91 30 36	Shim	1
11	07 21 29 00	Dog pinion 24 teeth (3rd gear on layshaft)	1
12	07 21 04 00	Layshaft	1
13	00 91 30 34	Pressure ring	2
14	00 95 03 02	Needle bearing	3
15	00 92 32 39	Spacer ring	1
16	07 21 41 00	Spacer bush	1
17	07 21 30 00	Dog pinion 28 teeth (2nd gear on layshaft)	1
18	07 24 22 00	Pinion for kickstarter	1
19	07 24 80 00	Pressure spring for kickstart pinion	1
20	07 24 65 00	Backing ring	1
21	01 24 81 00	Spring washer	1
22	07 21 23 00	Gear pinion 22 teeth (4th Gear on Layshaft)	1
23	07 21 21 00	Chain sprocket 13 teeth $\frac{5}{8} \times \frac{1}{4}$	1
24	07 36 34 00	Security plate	1
25	DIN 936	Hexagon nut	2
26	07 21 03 00	Main shaft	1
27	00 95 03 00	Needle bearing (consisting out of 2 parts)	1
28	07 21 85 00	Security ring	1
29	07 21 86 00	Spring	1
30	07 21 26 00	Dog pinion 21 teeth (3rd gear on main shaft)	1
31	07 21 88 00	Wedge	1
32	07 21 27 00	Dog pinion 18 teeth (2nd gear on main shaft)	1
33	07 24 78 60	Tongued washer for clutch	1
35	07 21 20 00	Dog pinion 24 teeth (4th gear on main axle)	1
36	00 91 58 00	Spacer washer 20,2×34×1,1	×
	00 91 59 00	Spacer washer 20,2×34×1,2	×
	00 91 60 00	Spacer washer 20,2×34×1,35	×
37	23 57 02 00	Chain $\frac{5}{8} \times \frac{1}{4}$ — 98 links	1
38	01 57 51 00	Chain link $\frac{5}{8} \times \frac{1}{4}$	1
39	00 91 06 10	Allenhead screw M 8×25	4
40	23 11 71 00	Oil catch cup	1
41	00 92 24 04	Rivet	1
42	DIN 7	Cylindrical pin 8×20	1



Clutch

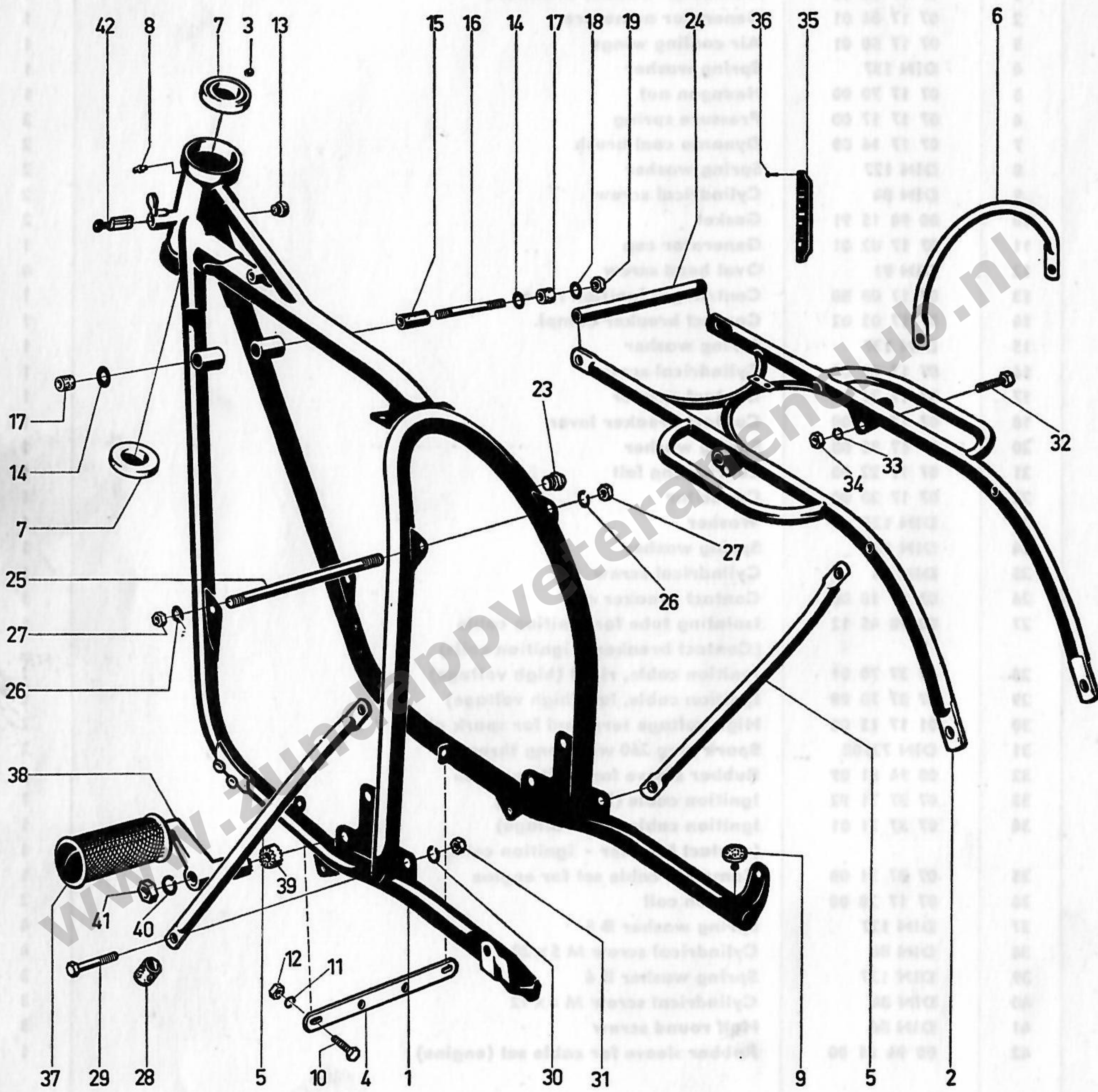
Picture No.	Order No.	Designation	Quantity
1	07 24 21 01	Clutch sprocket	1
2	07 24 20 01	Friction plate retainer	1
3	DIN 931	Hexagon screw .M 6×20	6
4	01 24 90 01	Shock absorber rubber	6
5	01 24 36 01	Dog	6
6	01 24 66 00	Cover plate	6
7	DIN 934	Hexagon nut M 6	6
8	DIN 625	Ball bearing 6004	1
9	00 92 32 38	Spacer washer	1
10	DIN 6503	Seal ring	1
11	DIN 472	Circlip	2
12	DIN 625	Ball bearing	1
13	07 24 24 01	Clutch flange	1
14	07 24 19 00	Dog bolt	5
15	07 24 05 00	Clutch inner plate	5
16	23 24 07 00	Clutch friction plate	6
17	07 24 06 02	Clutch plug plate	1
18	07 24 43 01	Spring box	5
19	07 24 83 01	Clutch spring	5
20	07 24 73 01	Clutch spring stud	5
21	07 24 16 00	Pressure bolt	1
22	07 24 14 01	Clutch rod	1
23	DIN 9045	Spring washer	1
25	07 24 44 02	Bearing block for clutch shaft	1
26	07 24 33 00	Clutch shaft	1
27	01 24 74 00	Pressure screw	1
28	00 91 18 55	Conter nut	1
29	DIN 471	Circlip	1
30	DIN 912	Allenhead screw	2
31	07 24 31 01	Clutch lever	1
32	07 24 32 01	Screw for clutch lever	1
33	01 23 92 00	Kickstart rubber	1
34	07 23 10 01	Kickstart lever	1
35	07 23 33 00	Fastening piece	1
36	DIN 5401	Ball	1
37	00 93 26 05	Spring for kickstarter	1
38	00 91 02 10	Hexagon screw	1
39	07 24 60 00	Kickstart stop wing	1
40	07 11 12 02	Thread piece	1
41	07 23 81 00	Return spring	1
42	07 23 25 00	Kickstart stop screw with rubber damper	1
43	07 23 21 00	Kickstart segment	1
44	DIN 471	Circlip	2
45	00 91 30 38	Shim	1
46	07 24 39 00	Bearing carrier	1
47	DIN 625	Ball bearing	1
48	07 24 38 00	Clutch rod extension	1
49	00 91 35 106	Spacer washer	×

× = apply as many as needed



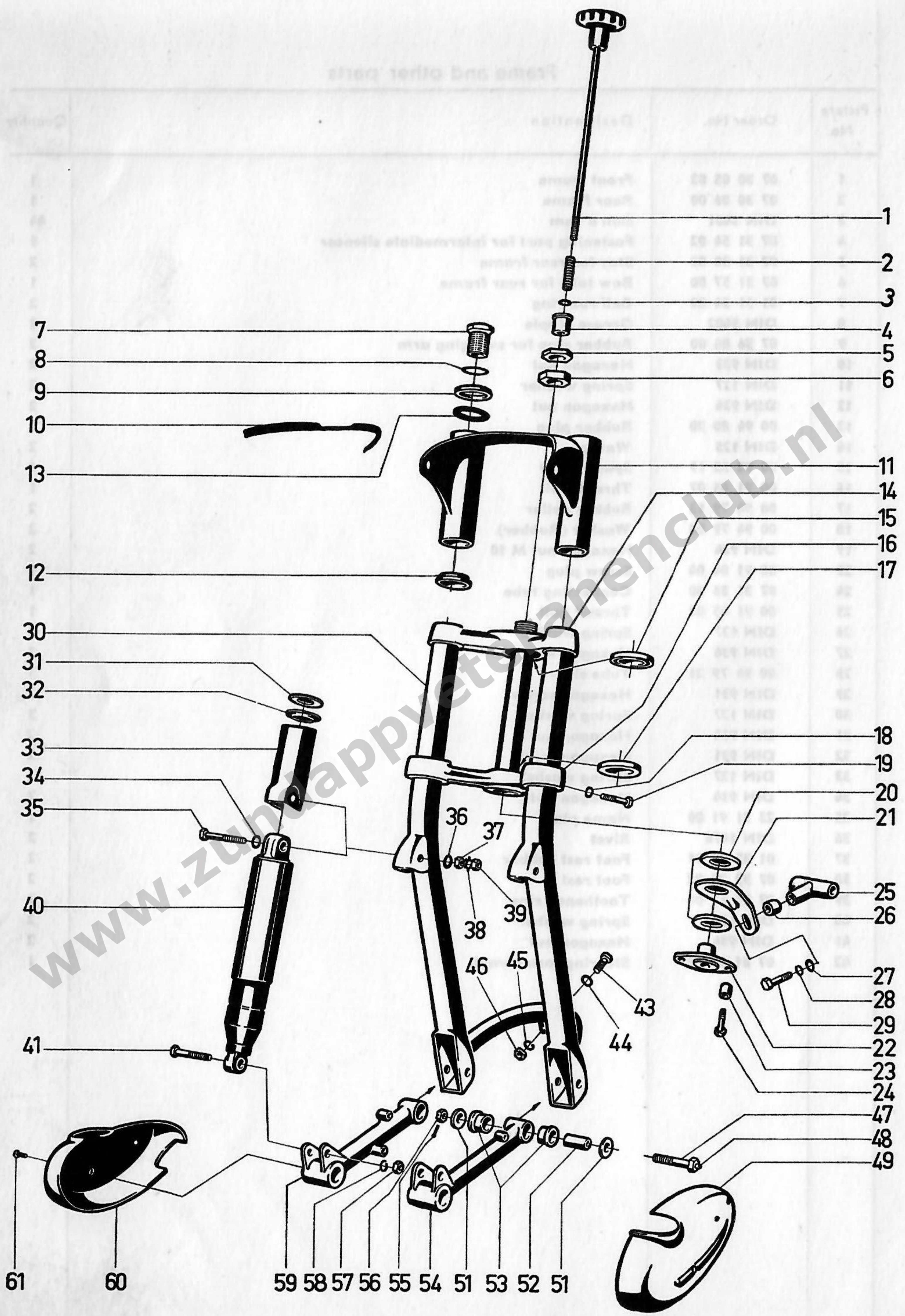
Generator

Picture No.	Order No.	Designation	Quantity
	07 10 70 01	Generator compl.	1
1	07 17 06 01	Generator without armature	1
2	07 17 04 01	Generator armature	1
3	07 17 50 01	Air cooling wings	1
4	DIN 137	Spring washer	1
5	07 17 70 00	Hexagon nut	1
6	07 17 17 00	Pressure spring	2
7	07 17 16 00	Dynamo coal brush	2
8	DIN 127	Spring washer	2
9	DIN 84	Cylindrical screw	2
10	00 94 15 91	Gasket	2
11	07 17 02 01	Generator cap	1
12	DIN 91	Oval head screw	4
13	07 17 08 00	Centrifugal ignition timer	1
14	07 17 03 02	Contact breaker compl.	1
15	DIN 137	Spring washer	1
16	07 17 09 00	Cylindrical screw	1
17	07 17 21 00	Contact carrier	1
18	07 17 24 00	Contact breaker lever	1
20	07 17 95 00	Spring washer	1
21	07 17 22 00	Lubricating felt	1
22	07 17 20 00	Capacitor	1
23	DIN 125	Washer	1
24	DIN 127	Spring washer	1
25	DIN 84	Cylindrical screw	1
26	07 17 18 00	Contact breaker cap	1
27	00 98 45 12	Isolating tube for ignition cable (Contact breaker - ignition coils)	1
28	07 37 70 01	Ignition cable, right (high voltage)	1
29	07 37 70 00	Ignition cable, left (high voltage)	1
30	01 17 15 00	High voltage terminal for spark plug	2
31	DIN 72502	Spark plug 260 with long thread	2
32	00 94 81 09	Rubber sleeve for ignition cable	2
33	07 37 71 02	Ignition cable (low voltage)	1
34	07 37 71 01	Ignition cable (low voltage) (contact breaker - ignition coils)	1
35	07 37 31 03	Complete cable set for engine	1
36	07 17 28 00	Ignition coil	2
37	DIN 127	Spring washer B 5	4
38	DIN 84	Cylindrical screw M 5×20	4
39	DIN 127	Spring washer B 6	3
40	DIN 84	Cylindrical screw M 6×12	3
41	DIN 86	Half round screw	3
42	00 94 81 00	Rubber sleeve for cable set (engine)	1



Frame and other parts

Picture No.	Order No.	Designation	Quantity
1	07 30 05 02	Front frame	1
2	07 30 06 00	Rear frame	1
3	DIN 5401	Ball 6 mm	44
4	07 31 54 02	Fastening part for intermediate silencer	1
5	07 31 30 02	Stay for rear frame	2
6	07 31 57 00	Bow tube for rear frame	1
7	01 31 34 00	Ball run ring	2
8	DIN 3402	Grease nipple	2
9	07 36 80 00	Rubber stop for swinging arm	2
10	DIN 933	Hexagon nut	2
11	DIN 127	Spring washer	2
12	DIN 934	Hexagon nut	2
13	00 94 80 20	Rubber plug	2
14	DIN 125	Washer	2
15	00 92 32 19	Spacer tube	1
16	00 91 45 07	Thread bolt	1
17	00 94 79 13	Rubber roller	2
18	00 94 79 08	Washer (Rubber)	2
19	DIN 934	Hexagon nut M 10	2
23	00 91 04 04	Screw plug	1
24	07 31 56 00	Connecting tube	1
25	00 91 45 06	Thread bolt	1
26	DIN 127	Spring washer	2
27	DIN 934	Hexagon nut	2
28	00 94 79 21	Tube sleeve	3
29	DIN 931	Hexagon screw	2
30	DIN 127	Spring washer	2
31	DIN 934	Hexagon nut	2
32	DIN 931	Hexagon screw	2
33	DIN 127	Spring washer	2
34	DIN 934	Hexagon nut	2
35	23 31 91 00	Name plate	1
36	DIN 1476	Rivet	2
37	01 32 93 01	Foot rest rubber	2
38	07 32 28 02	Foot rest	2
39	07 31 13 00	Toothened ring	2
40	DIN 127	Spring washer	2
41	DIN 934	Hexagon nut	2
42	07 81 52 00	Steering lock compl.	1



Front swinging arm suspension

Picture No.	Order No.	Designation	Quantity
	23 40 01 00	Front swinging arm fork compl.	1
1	23 40 10 00	Steering damper adjusting screw compl.	1
2	00 93 26 15	Pressure spring	1
3	00 94 15 07	Washer	1
4	01 41 41 00	Spring box	1
5	00 91 18 40	Hexagon nut	1
6	00 91 18 41	Hexagon nut	1
7	07 41 18 00	Screw plug	2
8	00 91 30 60	Washer	2
9	00 94 15 40	Packing washer	2
10	01 37 90 00	Rubber gasket	1
11	07 41 25 00	Cover tube, top with headlamp fittings	1
12	07 41 85 00	Rubber disk with collar	2
13	00 94 15 75	Packing washer	2
14	01 41 03 00	Fork top yoke	1
15	01 31 34 00	Ball run ring	1
16	07 40 03 00	Fork bottom yoke	1
17	01 31 34 01	Ball run ring	1
18	DIN 433	Washer 8,4	2
19	00 91 01 24	Hexagon screw	2
20	01 41 33 00	Friction washer	2
21	07 41 32 00	Anchor plate	1
22	01 40 15 00	Steering damper anchor flange	1
23	00 92 32 20	Spacer bush	2
24	00 91 01 23	Hexagon screw	2
25	07 31 17 00	Fastening sleeve	1
26	00 92 32 47	Spacer ring	1
27	DIN 125	Washer	1
28	DIN 127	Spring washer	1
29	DIN 931	Hexagon screw	1
30	07 41 20 04	Main tube for swinging fork	2
31	07 41 04 00	Cover ring	2
32	07 41 94 00	Rubber disk with collar	2
33	07 41 24 00	Cover tube, bottom	2
34	14 83 84 00	Washer	2
35	DIN 960	Hexagon screw	2
36	00 92 32 58	Spacer ring	2
37	DIN 934	Hexagon nut	2
38	DIN 6798	Spring washer	2
39	DIN 936	Flat Hexagon nut	2
40	07 40 60 01	Shock absorber	2
41	DIN 960	Hexagon screw	2
43	DIN 931	Hexagon screw	1
44	DIN 125	Washer	1
45	DIN 127	Spring washer	1
46	DIN 934	Hexagon nut	1
47	00 91 05 10	Hollow screw	2
48	DIN 3402	Grease nipple	2
49	07 41 70 02	Swinging arm cover, left	1
51	00 91 35 26	Spacer washer with collar	4
52	07 41 46 01	Spacer bush	2
53	07 41 45 01	Bearing bush	4
54	07 40 40 02	Swinging arm, left	1
55	DIN 94	Cotter pin	2
56	DIN 937	Crowned nut M 10	2
57	DIN 936	Flat hexagon nut	2

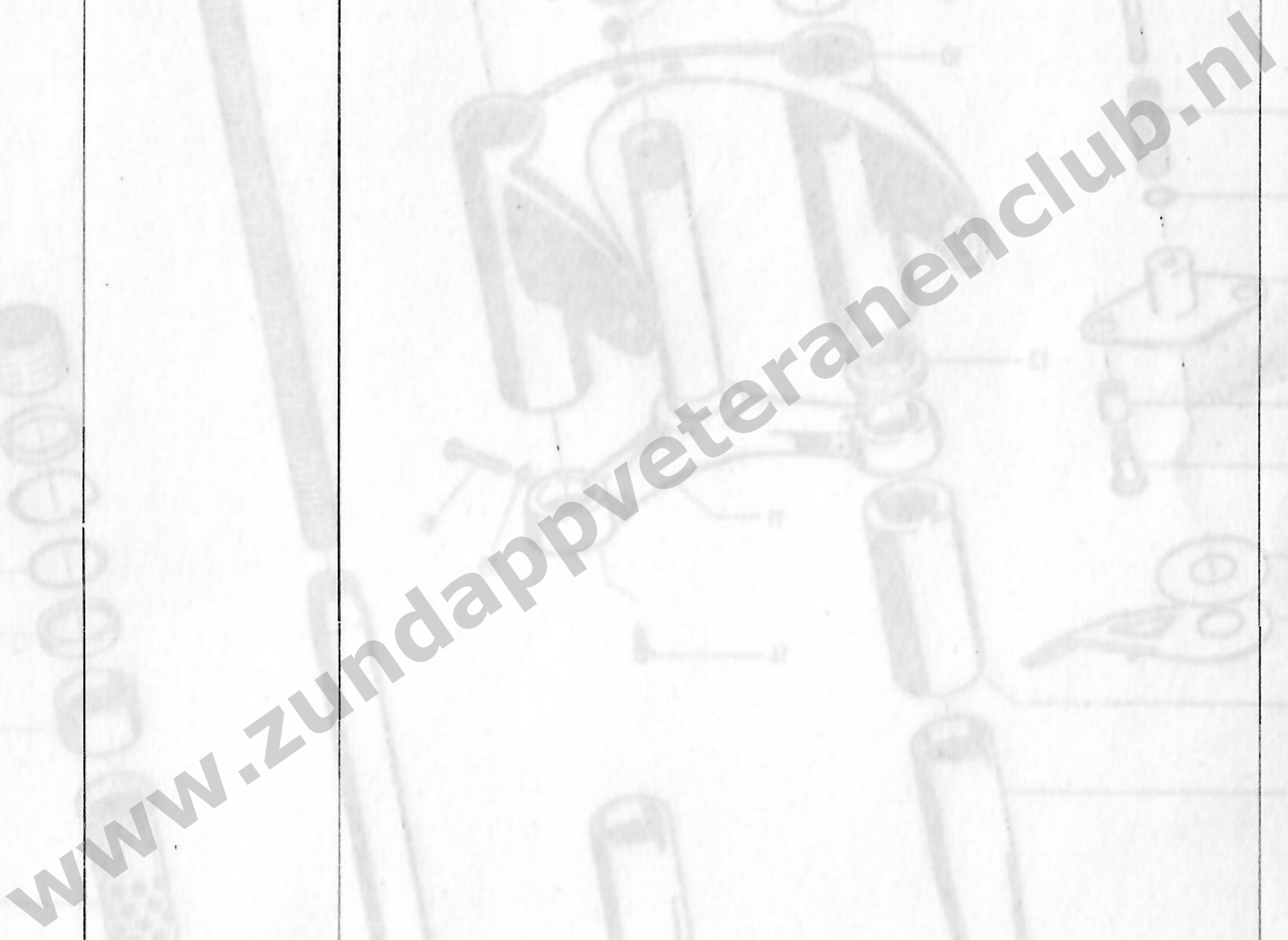
Front swinging arm suspension

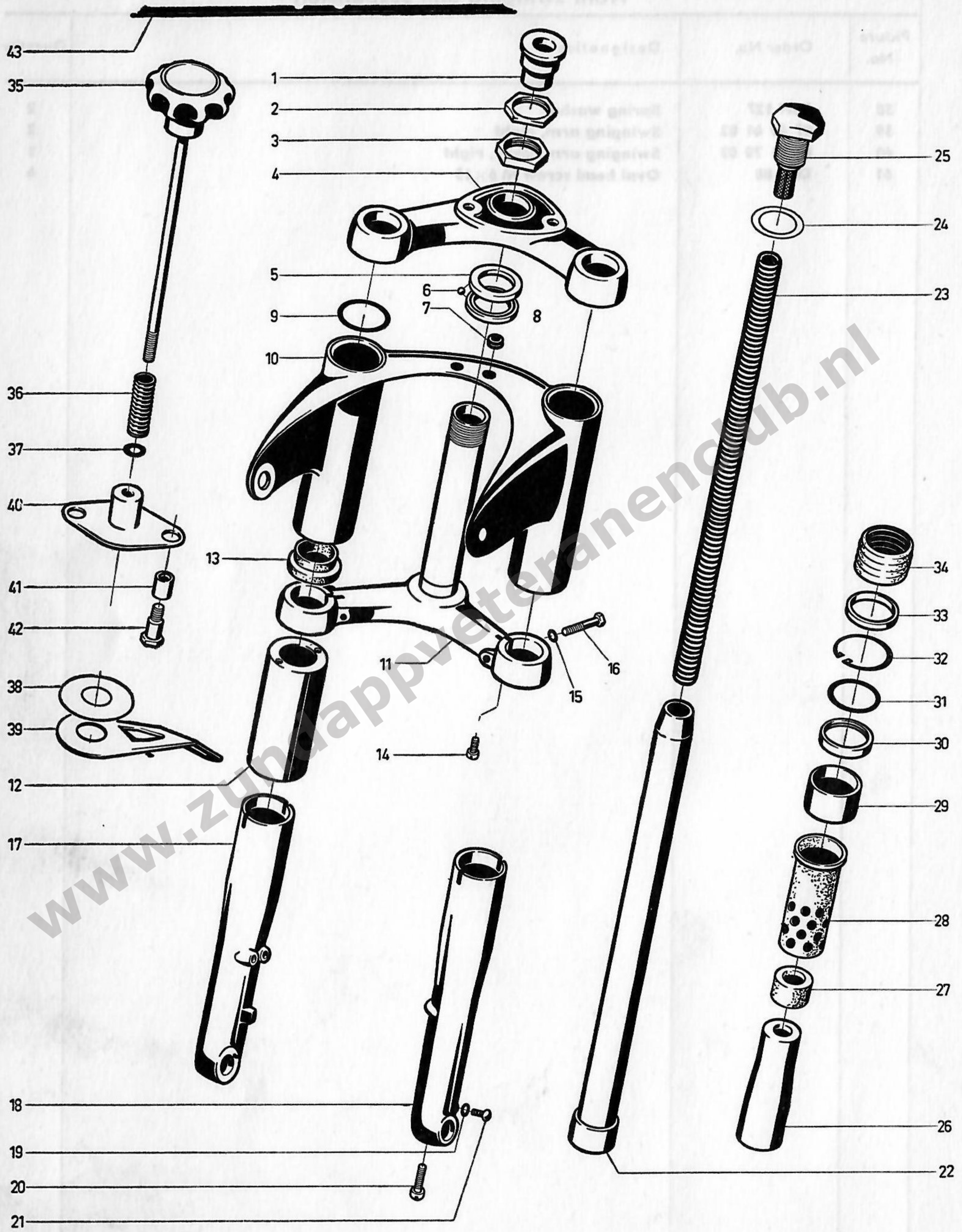
Quantity	Description	Order No.	Price
1	Front swinging arm fork control	21 50 01 00	
1	Steering damper adjusting screw control	21 50 10 00	
2	Pressure spring	80 91 25 00	
1	Washer	80 91 25 00	
4	Spring ball	81 41 41 00	
2	Hexagon nut	80 91 18 00	
4	Hexagon nut	80 91 18 01	
1	Screw plug	87 41 18 00	
2	Washer	80 91 30 00	
3	Packing washer	80 91 18 00	
10	Rubber gasket	81 37 30 00	
11	Cover tube, top with headlamp fitting	87 41 30 00	
12	Rubber disk with collar	87 41 30 00	
13	Packing washer	80 91 18 00	
14	Ball top yoke	87 41 30 00	
15	Ball top ring	87 41 30 00	
16	Fork bottom yoke	87 41 30 00	
17	Ball top ring	81 31 30 00	
18	Washer	81 31 30 00	
19	Washer	80 91 30 00	
20	Washer	81 31 30 00	
21	Washer	87 41 30 00	
22	Steering damper adjusting screw	81 30 10 00	
23	Spacer bush	80 91 30 00	
24	Hexagon screw	80 91 01 00	
25	Packing sleeve	87 41 30 00	
26	Spacer ring	80 91 30 00	
27	Washer	81 31 30 00	
28	Spring washer	81 31 30 00	
29	Hexagon screw	81 31 30 00	
30	Steering damper adjusting screw	87 41 30 00	
31	Cover ring	87 41 30 00	
32	Rubber disk with collar	87 41 30 00	
33	Cover tube, bottom	87 41 30 00	
34	Washer	81 31 30 00	
35	Hexagon screw	81 31 30 00	
36	Spacer ring	80 91 30 00	
37	Hexagon nut	81 31 30 00	
38	Spring washer	81 31 30 00	
39	Flat Hexagon nut	81 31 30 00	
40	Shock absorber	87 41 30 00	
41	Hexagon screw	81 31 30 00	
42	Hexagon screw	81 31 30 00	
43	Washer	81 31 30 00	
44	Spring washer	81 31 30 00	
45	Hexagon nut	81 31 30 00	
46	Washer	81 31 30 00	
47	Hexagon screw	80 91 01 00	
48	Grease nipple	81 31 30 00	
49	Swinging arm cover, left	87 41 30 00	
50	Spacer washer with collar	80 91 30 00	
51	Spacer bush	87 41 30 00	
52	Packing bush	87 41 30 00	
53	Swinging arm, left	87 41 30 00	
54	Collar pin	81 31 30 00	
55	Hexagon nut M 10	81 31 30 00	
56	Flat hexagon nut	81 31 30 00	

www.zundappveteranclub.nl

Front swinging arm suspension

Picture No.	Order No.	Designation	Quantity
58	DIN 127	Spring washer	2
59	07 40 41 02	Swinging arm, right	2
60	07 41 70 03	Swinging arm cover, right	1
61	DIN 88	Oval head screw M 6×15	4





Telescopic front fork

Picture No.	Order No.	Designation	Quantity
	23 40 01 01	Telescopic front fork compl.	1
1	01 41 41 00	Spring box	1
2	00 91 18 40	Hexagon nut	1
3	00 91 18 41	Hexagon nut	1
4	01 41 03 00	Fork top yoke	1
5	01 31 34 00	Ball run ring	1
6	DIN 5401	Ball	44
7	00 94 81 10	Rubber sleeve	2
8	01 31 34 01	Ball run ring with polished inner side	1
9	00 94 15 40	Rubber gasket	2
10	01 41 25 00	Headlamp bracket (fork cover tube, top)	1
11	01 40 03 01	Fork bottom yoke	1
12	01 41 24 01	Fork cover tube, bottom	2
13	01 41 85 01	Rubber disk with collar	2
14	00 91 09 15	Cylindrical screw	4
15	DIN 125	Washer 8,4	2
16	00 91 01 24	Hexagon screw	2
17	01 41 28 00	Fork guide tube, right	1
18	01 41 27 00	Fork guide tube, left	1
19	00 94 15 03	Packing washer (fiber)	2
20	00 91 09 40	Cylindrical screw	2
21	DIN 86	Half round screw	2
22	01 40 14 00	Main tube	2
23	01 41 83 02	Spring	2
24	00 91 30 60	Washer	2
25	01 40 16 02	Screw plug	2
26	01 41 23 02	Prop tube	2
27	00 94 79 25	Rubber roller	2
28	01 41 84 03	Damper tube	2
29	01 41 42 01	Guide bushing	2
30	00 94 86 02	Seal ring	2
31	00 91 30 69	Washer	2
32	00 91 80 10	Circlip	2
33	03 41 82 01	Sleeve	2
34	03 43 92 00	Bellow type rubber sleeve	2
35	23 40 10 00	Steering damper adjusting screw	1
36	00 93 26 15	Pressure spring	1
37	00 94 15 07	Leather washer	1
38	01 41 33 00	Friction washer	2
39	07 41 32 00	Anchor plate	1
40	01 40 15 00	Steering damper anchor flange compl.	1
41	00 92 32 20	Spacer bush	2
42	00 91 01 23	Hexagon screw	2
43	01 37 90 00	Rubber gasket	1
		Parts which are used if the motorcycle in question is equipped with a telescopic front fork:	
	07 33 01 04	Front fender	1
	07 33 14 00	Stay for front fender	2
	DIN 933	Hexagon screw M 7×12	4
	DIN 127	Spring ring B 7	4
	DIN 931	Hexagon screw M 7×18	2
	DIN 127	Spring washer B 7	2
	00 91 01 10	Hexagon screw M 6×13	2
	DIN 127	Spring washer B 6	2
	DIN 934	Hexagon nut M 6	2

Telescopic front fork

Qty	Description	Order No.	Part No.
1	Telescopic front fork compl.	01 62 01 01	
1	Spring bar	01 61 41 00	1
1	Hexagon nut	00 91 18 50	2
1	Hexagon nut	00 91 18 41	3
1	Fork top yoke	01 61 03 00	4
1	Ball run ring	01 61 34 00	5
1	Ball	01H 2401	6
1	Rubber sleeve	00 96 01 10	7
1	Ball run ring with polished inner side	01 61 34 01	8
1	Rubber gasket	00 96 12 40	9
1	Headlamp bracket (fork cover tube top)	01 61 22 00	10
1	Fork bottom yoke	01 60 02 01	11
1	Fork cover tube bottom	01 61 24 01	12
1	Rubber disk with collar	01 61 02 01	13
1	Cylindrical screw	00 91 09 12	14
1	Washer A		15
1	Hexagon screw	01 61 28 01	16
1	Fork guide tube right	01 61 27 00	17
1	Fork guide tube left	01 61 27 00	18
1	Spring washer (flap)	00 96 12 00	19
1	Control screw	00 91 09 40	20
1	Ball screw	01H 06	21
1	Main tube	01 60 14 00	22
1	Spring	01 61 02 01	23
1	Washer	00 91 30 40	24
1	Screen ring	01 60 18 02	25
1	Frog tube	01 61 23 02	26
1	Rubber roller	00 96 29 20	27
1	Damper tube	01 61 04 03	28
1	Guide bushing	01 61 42 01	29
1	Ball ring	00 94 04 02	30
1	Washer	00 91 38 00	31
1	Clevis	00 91 00 10	32
1	Sleeve	01 61 02 01	33
1	Bellow type rubber sleeve	00 96 21 00	34
1	Steering damper adjusting screw	00 90 18 00	35
1	Pressure spring	00 92 24 12	36
1	Leather washer	00 96 11 01	37
1	Friction washer	01 61 21 00	38
1	Anchor plate	01 61 22 00	39
1	Steering damper anchor range compl.	01 60 12 00	40
1	Spacer bush	00 92 21 20	41
1	Hexagon screw	00 91 01 21	42
1	Rubber gasket	01 27 00 00	43
Parts which are used if the motorcycle in question is equipped with a telescopic front fork:			
1	Front fender	01 22 01 00	
1	Stay for front fender	01 22 14 00	
1	Hexagon screw M 3 x 12	01H 033	
1	Spring ring B 3	01H 127	
1	Hexagon screw M 3 x 12	01H 031	
1	Spring washer B 3	01H 127	
1	Hexagon screw M 6 x 12	00 91 01 10	
1	Spring washer B 4	01H 127	
1	Hexagon nut M 4	01H 034	

Parts which are used if the motorcycle in question is equipped with a

Used to fasten stay to front fender

Used to fasten fender

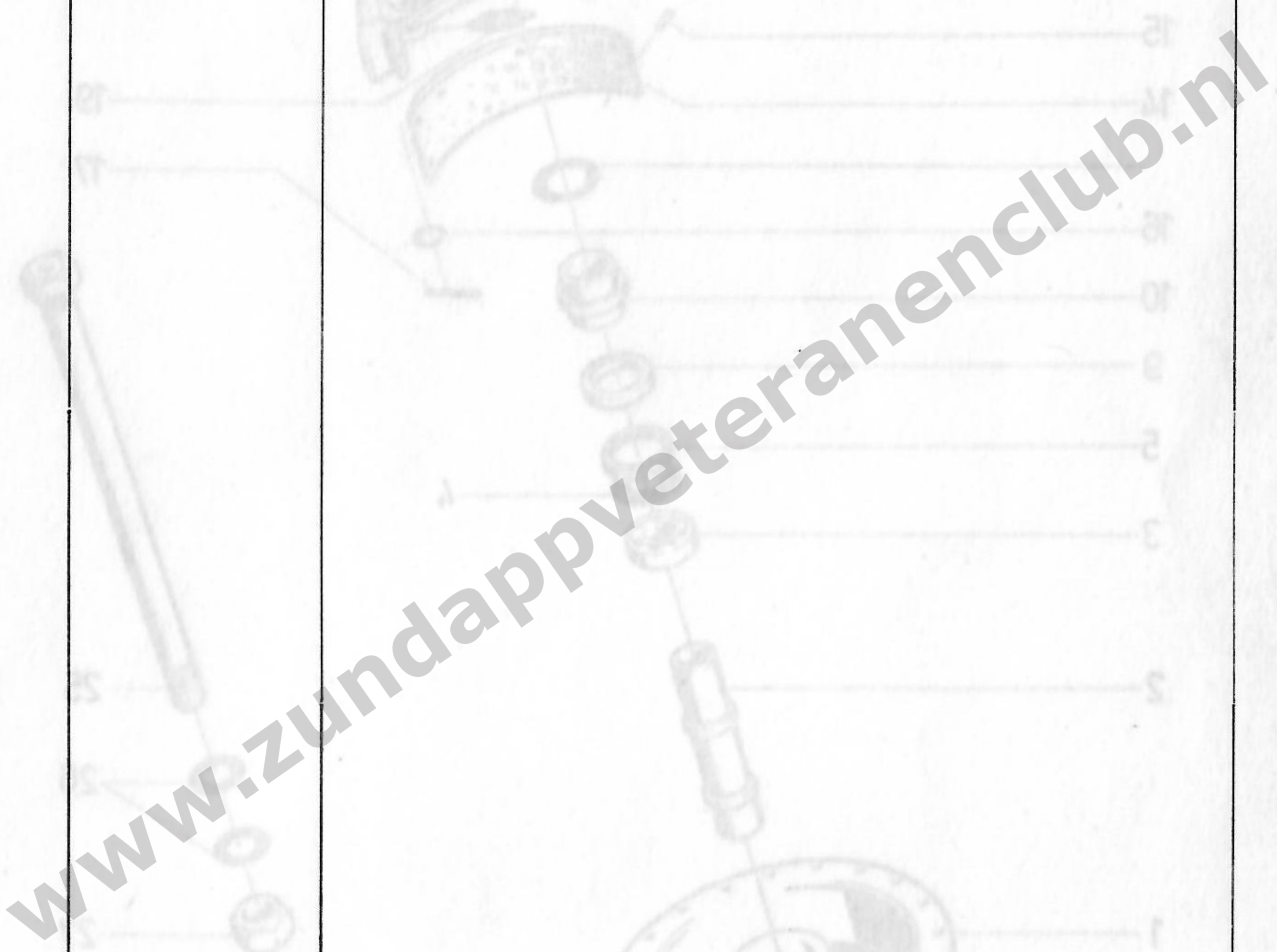
to Guide tube

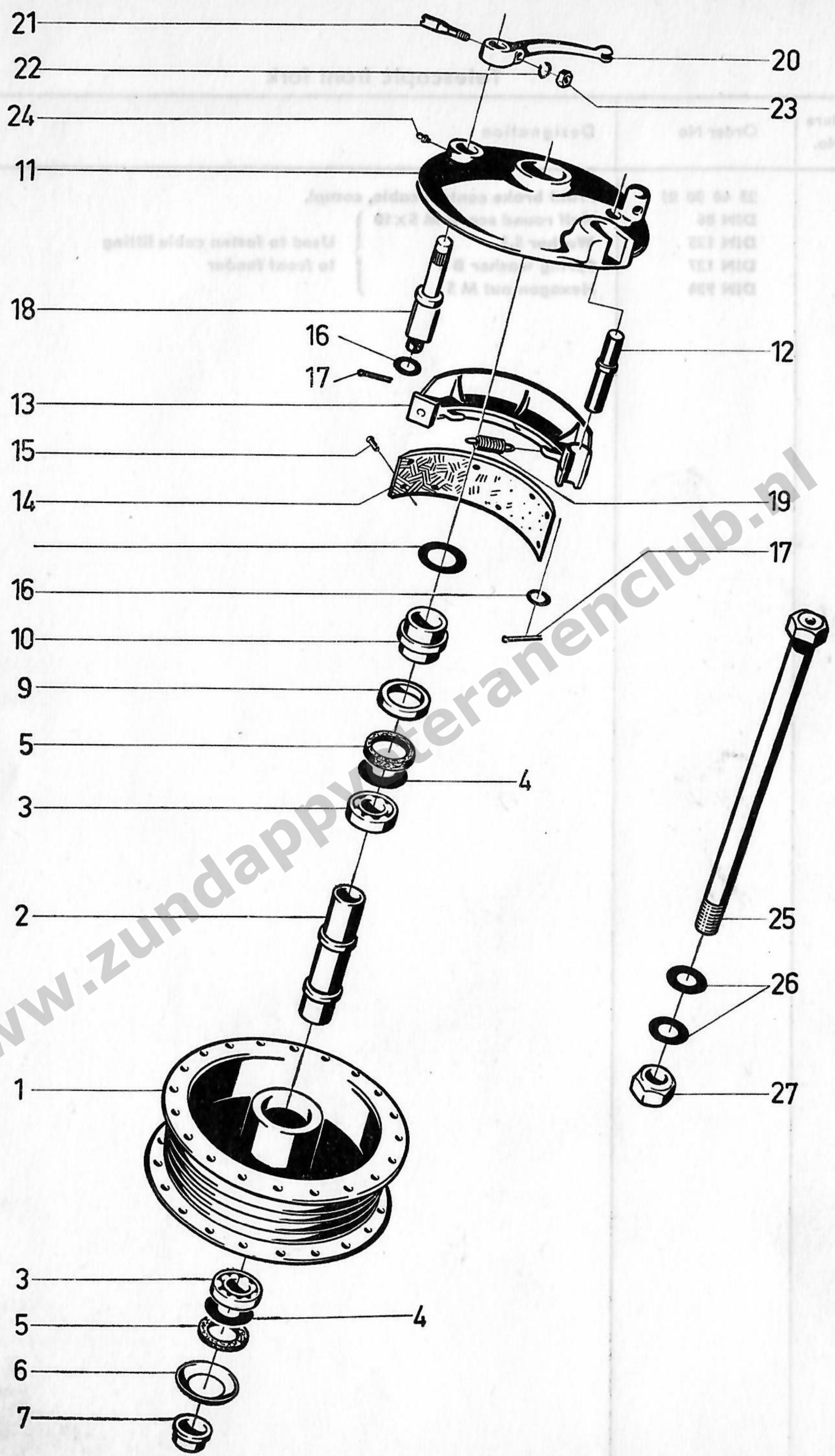
Used to fasten stay

to G.T.

Telescopic front fork

Picture No.	Order No.	Designation	Quantity
	23 40 30 01	Front brake control cable, compl.	1
	DIN 86	Half round screw M 5×10	1
	DIN 125	Washer 5,3	1
	DIN 127	Spring washer B 5	1
	DIN 934	Hexagon nut M 5	1
		} Used to fasten cable fitting to front fender	

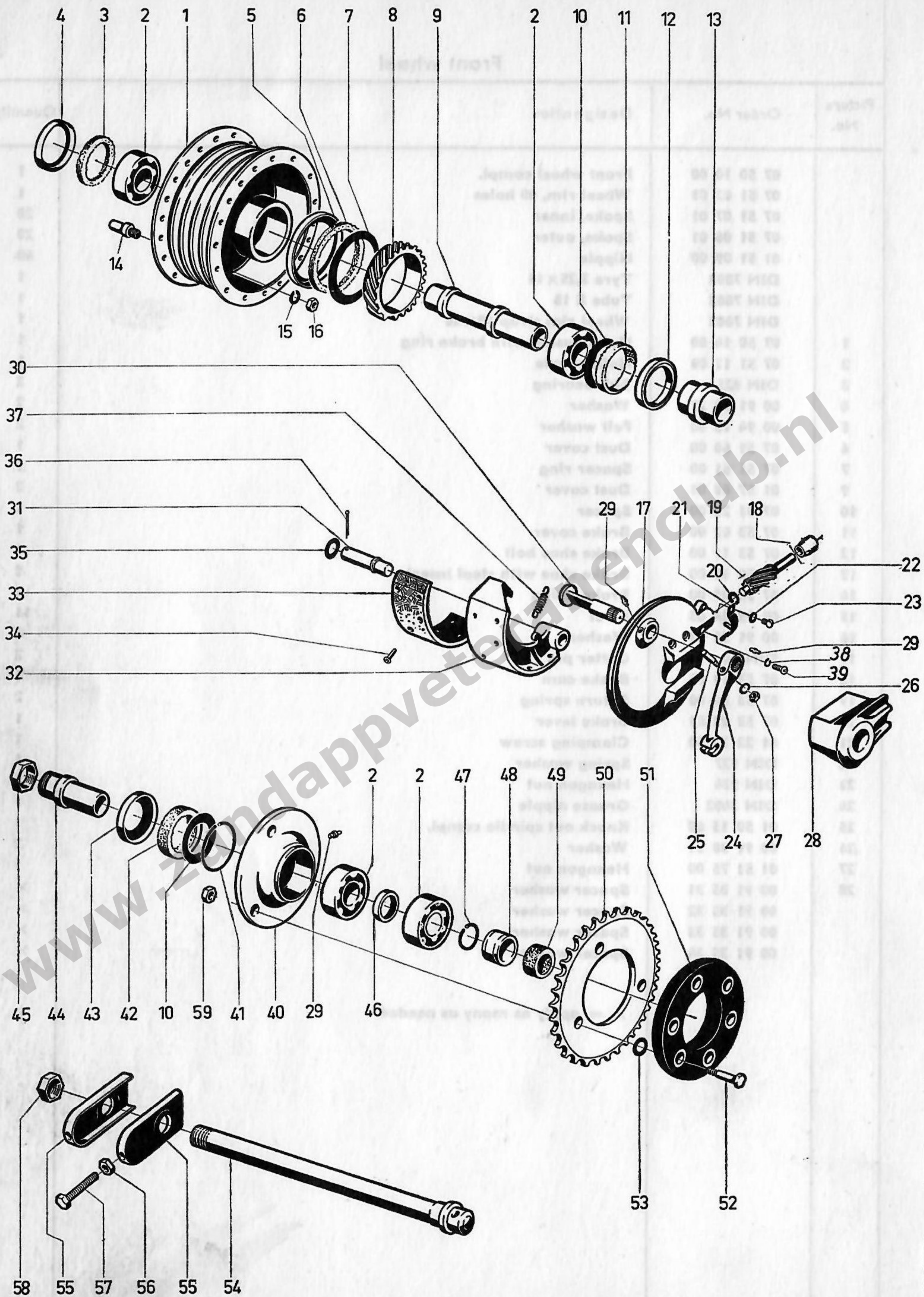




Front wheel

Picture No.	Order No.	Designation	Quantity
	07 50 10 00	Front wheel compl.	1
	07 51 02 03	Wheel rim, 40 holes	1
	07 51 07 01	Spoke, inner	20
	07 51 08 01	Spoke, outer	20
	01 51 09 00	Nipple	40
	DIN 7802	Tyre 3,25 x 18	1
	DIN 7802	Tube E 18	1
	DIN 7802	Wheel rim strap 18 x 28	1
1	07 50 14 00	Hub housing with brake ring	1
2	07 51 12 00	Hollow axle	1
3	DIN 625	Ball bearing	2
4	00 91 30 27	Washer	2
5	00 94 15 60	Felt washer	2
6	07 51 60 00	Dust cover	1
7	07 51 61 00	Spacer ring	1
9	01 57 60 01	Dust cover	2
10	07 51 22 00	Spacer	1
11	07 53 02 00	Brake cover	1
12	07 53 11 00	Brake shoe bolt	1
13	07 50 33 00	Brake shoe with steal insert	2
14	07 53 08 00	Brake lining	2
15	00 92 24 03	Rivet	16
16	00 91 30 23	Washer	4
17	DIN 94	Cotter pin	2
18	07 53 19 00	Brake cam	1
19	07 53 80 00	Return spring	2
20	07 53 23 01	Brake lever	1
21	01 22 72 00	Clamping screw	1
22	DIN 127	Spring washer	1
23	DIN 934	Hexagon nut	1
24	DIN 3402	Grease nipple	1
25	01 50 15 00	Knock out spindle compl.	1
26	00 91 30 51	Washer	2
27	01 51 75 00	Hexagon nut	1
28	00 91 35 31	Spacer washer	X
	00 91 35 32	Spacer washer	X
	00 91 35 33	Spacer washer	X
	00 91 35 34	Spacer washer	X

X = apply as many as needed.



Rear wheel

Picture No.	Order No.	Designation	Quantity
	07 50 20 01	Rear wheel, compl.	1
	07 51 02 03	Wheel rim, 40 holes	1
	07 52 07 01	Spoke, reinforced, inner	20
	07 52 08 01	Spoke, reinforced, outer	20
	01 51 09 00	Nipple	40
	DIN 7802	Tyre 3,5×18	1
	DIN 7802	Tube E 18	1
	DIN 7802	Wheel rim strap 18×28	1
1	07 50 24 00	Hub housing with brake ring	1
2	DIN 625	Ball bearing	4
3	00 94 15 80	Felt washer	1
4	01 52 61 00	Dust cover	1
5	01 52 60 00	Dust cover	1
6	00 94 15 90	Felt washer	1
7	00 91 30 90	Washer	1
8	01 57 22 01	Speedometer transmission pinion	1
	00 92 11 09	Cylindrical pin 4×12 for speedometer transmission pinion	1
9	01 52 12 01	Hollow axle	1
10	00 91 30 27	Washer	2
11	00 94 15 60	Felt washer	1
12	01 57 60 01	Dust cover	1
13	01 52 22 01	Spacer	1
14	07 52 11 01	Anchor pin for shock absorber disk	3
15	DIN 127	Spring washer	3
16	DIN 936	Flat hexagon nut	3
17	07 53 01 01	Brake cover	1
18	01 57 41 00	Bushing for drive spindle	1
19	07 57 18 00	Speedometer drive spindle	1
20	00 91 30 11	Washer	1
21	01 50 71 00	Spring for speedometer flexible shaft	1
22	DIN 127	Spring washer B 5	1
23	DIN 86	Half round screw	1
24	07 53 22 00	Brake lever	1
25	01 22 72 00	Clamping screw	1
26	DIN 127	Spring washer	1
27	DIN 934	Hexagon nut	1
28	08 36 45 00	Brake anchor	1
29	DIN 3402	Grease nipple	3
30	07 53 12 00	Brake cam	1
31	07 53 13 00	Brake shoe spindle	1
	07 50 32 00	Brake shoe compl.	2
32	07 53 05 00	Brake shoe	2
33	07 53 08 00	Brake lining	2
34	00 92 24 03	Rivet (Aluminium)	16
35	00 91 30 23	Washer	4
36	DIN 94	Cotter pin	2
37	07 53 80 00	Return spring	2
38	DIN 127	Spring washer	1
39	DIN 84	Cylindrical screw	1
40	01 57 04 00	Sprocket flange	1
41	01 57 81 00	Circlip	1
42	00 94 15 18	Felt washer	1
43	07 57 60 00	Dust cover	1
44	07 57 30 00	Carrier tube	1
45	00 91 18 35	Hexagon nut	1
46	00 92 32 30	Spacer ring	1

Quantity	Description	Order No.	Price
1	Front wheel, complete	07 20 20 01	
1	Wheel rim, 48 holes	07 21 02 01	
1	Spoke reinforcement, inner	07 22 07 01	
1	Spoke reinforcement, outer	07 23 08 01	
1	Nipple	01 21 07 00	
1	Type 2 1/2 X 1 1/2	0104 1002	
1	Type 2 1/2	0104 1003	
1	Wheel rim strip (2 1/2 X 2 1/2)	0104 1004	
1	Hub housing with brake ring	07 20 20 02	
1	Hub housing	0104 422	
1	Felt washer	09 20 12 00	
1	Dust cover	01 22 01 00	
1	Dust cover	01 23 00 00	
1	Felt washer	09 24 12 00	
1	Washer	01 20 12 00	
1	Speedometer transmission pinion	01 21 01 01	
1	Cylindrical pin 4 X 12 for speedometer transmission pinion	01 21 01 01	
1	Hollow axle	01 21 12 01	
1	Washer	09 21 00 01	
1	Washer	09 22 12 00	
1	Washer	01 22 00 01	
1	Washer	01 22 12 01	
1	Another spoke member clip	01 22 11 01	
1	Spring washer	0104 427	
1	Flat washer	0104 428	
1	Felt cover	07 22 01 01	
1	Washer for drive shaft	01 22 01 00	
1	Speedometer drive pinion	01 22 12 00	
1	Washer	09 24 12 01	
1	Spring for speedometer flexible shaft	01 20 12 00	
1	Spring washer # 2	0104 429	
1	Felt road cover	0104 430	
1	Brake lever	07 22 02 00	
1	Clamping screw	01 22 12 00	
1	Spring washer	0104 431	
1	Hexagon nut	0104 432	
1	Brake anchor	07 20 02 00	
1	Green nipple	0104 433	
1	Brake cone	07 22 12 00	
1	Brake shoe spindle	07 20 12 00	
1	Brake shoe cone	07 20 12 00	
1	Brake shoe	07 20 12 00	
1	Brake lining	07 20 12 00	
1	Rivet (Aluminum)	09 22 02 01	
1	Washer	09 22 12 01	
1	Cotter pin	0104 434	
1	Hub housing	07 20 20 02	
1	Spring washer	0104 435	
1	Cylindrical screw	0104 436	
1	Spoked flange	07 20 02 00	
1	Clamp	01 22 12 00	
1	Felt washer	09 20 12 00	
1	Dust cover	01 22 01 00	
1	Coilover tube	07 20 12 00	
1	Hexagon nut	09 21 12 01	
1	Spring ring	09 22 12 00	

www.zundappveteranclub.nl

Rear wheel

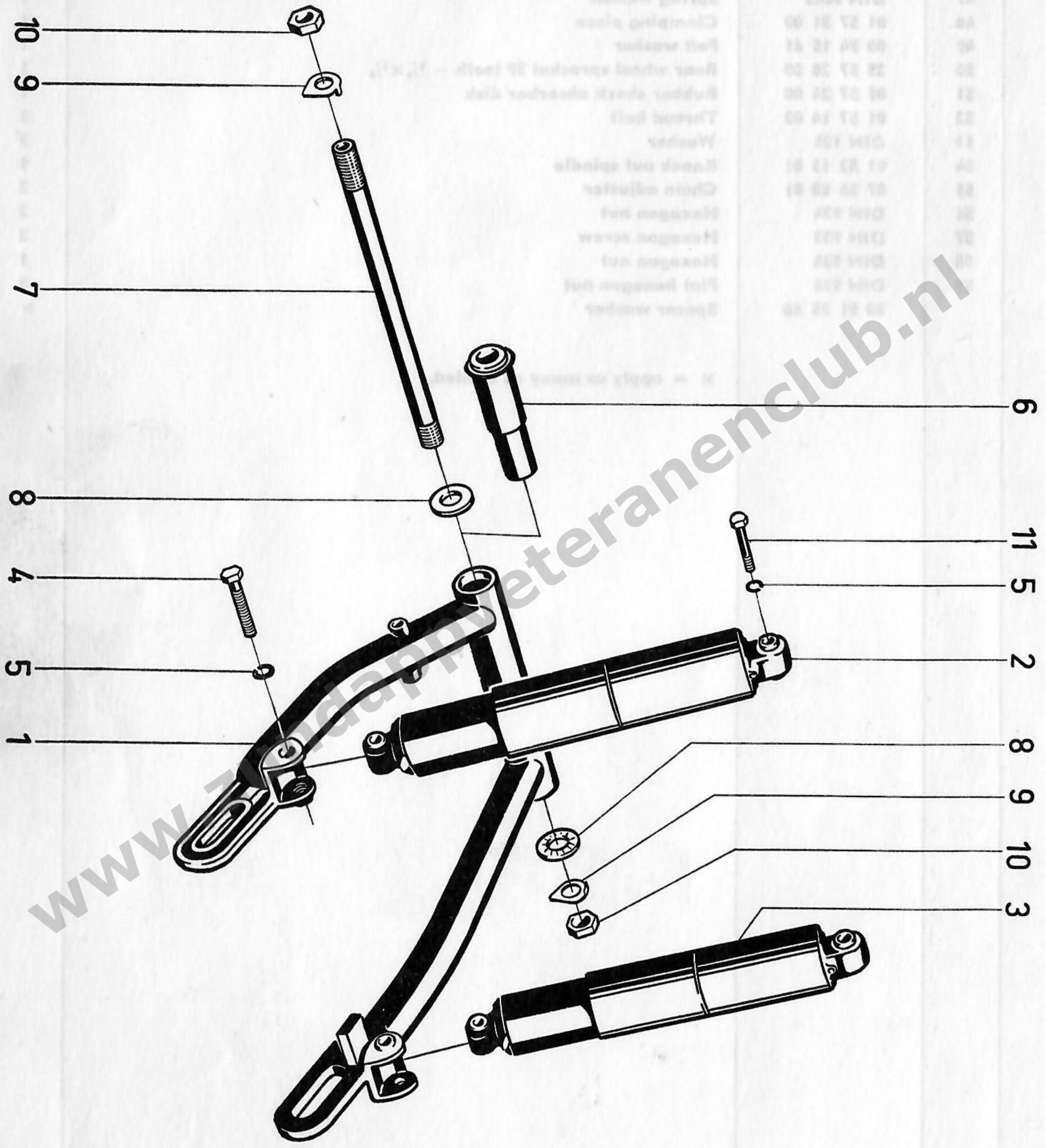
Picture No.	Order No.	Designation	Quantity
47	DIN 9045	Spring washer	1
48	01 57 31 00	Clamping piece	1
49	00 94 15 61	Felt washer	1
50	23 57 20 00	Rear wheel sprocket 39 teeth — $\frac{5}{8} \times \frac{1}{4}$	1
51	01 57 24 00	Rubber shock absorber disk	1
52	01 57 14 03	Thread bolt	3
53	DIN 125	Washer	3
54	01 52 15 01	Knock out spindle	1
55	07 36 08 01	Chain adjuster	2
56	DIN 934	Hexagon nut	2
57	DIN 933	Hexagon screw	2
58	DIN 934	Hexagon nut	1
59	DIN 936	Flat hexagon nut	3
	00 91 35 50	Spacer washer	×

× = apply as many as needed.

Rear wheel

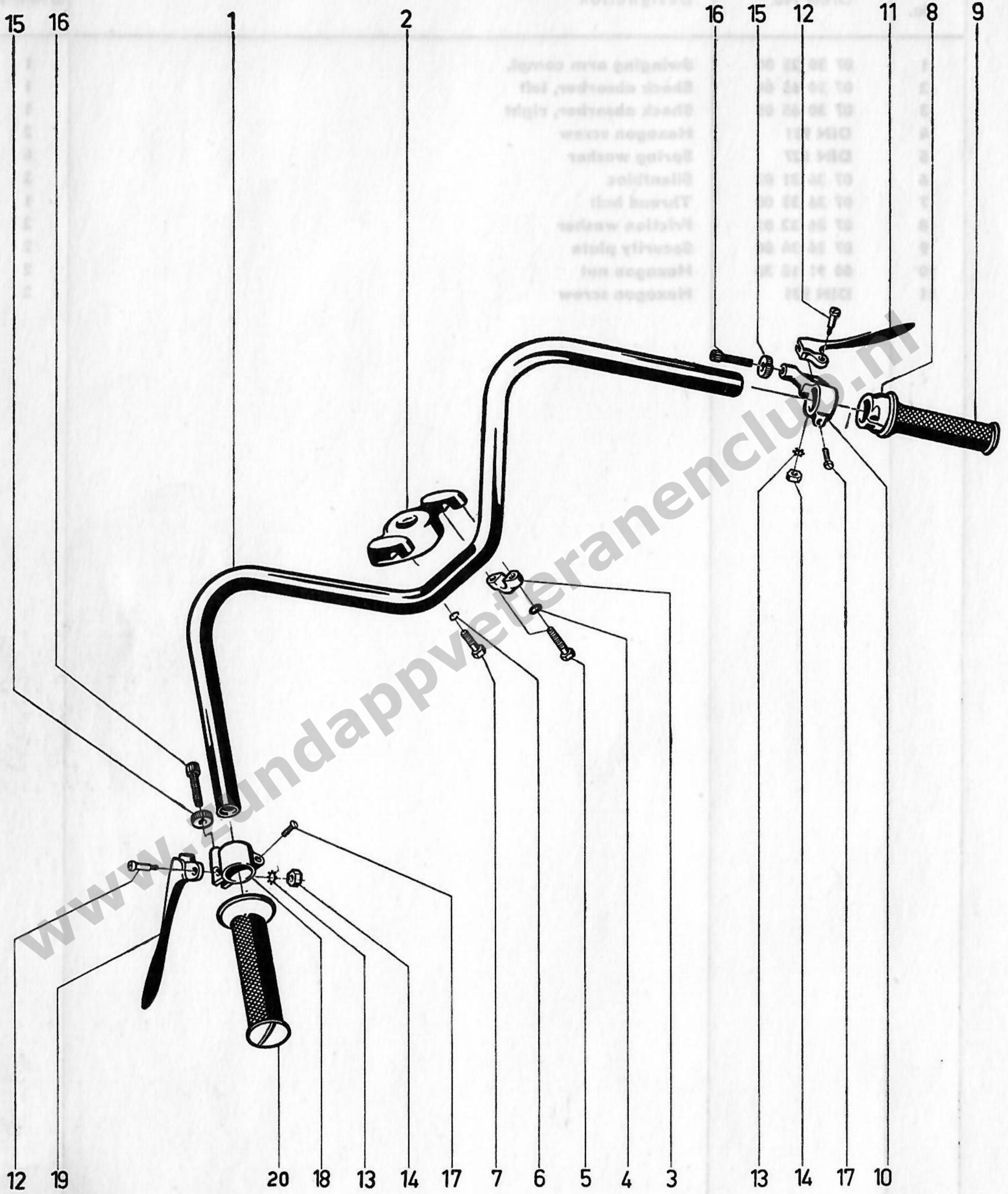
Part No.	Description	Qty
----------	-------------	-----

1	Spacer washer	1
2	Pin bearing nut	1
3	Hexagon nut	1
4	Hexagon screw	1
5	Hexagon nut	1
6	Chain adjuster	1
7	Lock nut spindle	1
8	Washer	1
9	Thread ball	1
10	Rubber shock absorber disk	1
11	Rear wheel spacer 39 teeth - 1 1/2"	1
12	Flat washer	1
13	Clamping plate	1
14	Locking washer	1



Swinging arm suspension

Picture No.	Order No.	Designation	Quantity
1	07 30 25 00	Swinging arm compl.	1
2	07 30 65 04	Shock absorber, left	1
3	07 30 65 05	Shock absorber, right	1
4	DIN 931	Hexagon screw	2
5	DIN 127	Spring washer	4
6	07 36 31 03	Silentbloc	2
7	07 36 33 00	Thread bolt	1
8	07 36 32 01	Friction washer	2
9	07 36 34 00	Security plate	2
10	00 91 18 36	Hexagon nut	2
11	DIN 931	Hexagon screw	2



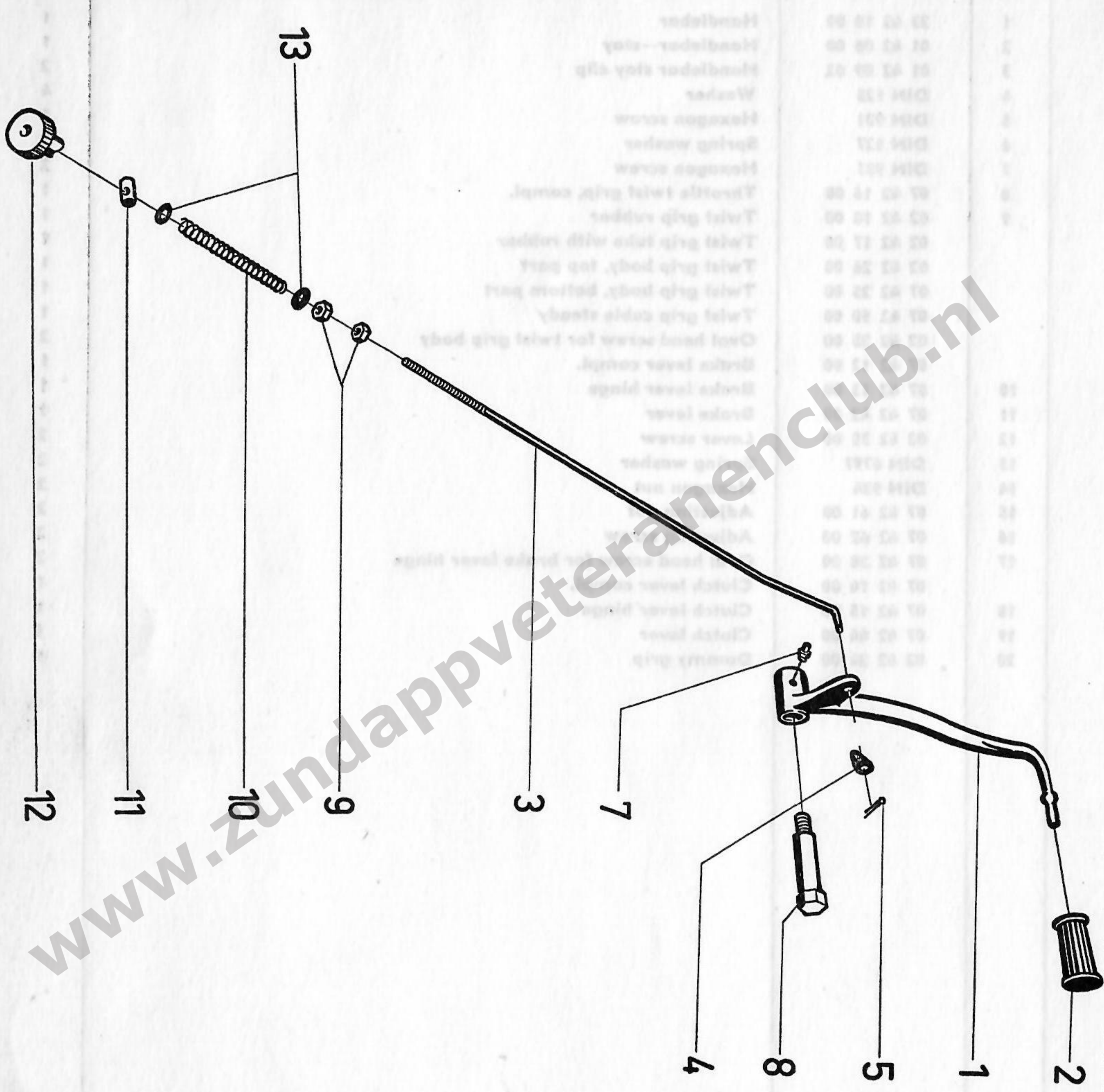
Part No.	Description
1	Swinging arm, upper
2	Swinging arm, lower
3	Shock absorber, left
4	Shock absorber, right
5	Fork tube, upper
6	Fork tube, lower
7	Fork spring, upper
8	Fork spring, lower
9	Fork seal, upper
10	Fork seal, lower
11	Fork dust seal, upper
12	Fork dust seal, lower
13	Fork oil seal, upper
14	Fork oil seal, lower
15	Fork oil cap, upper
16	Fork oil cap, lower
17	Fork oil seal, upper
18	Fork oil seal, lower
19	Fork oil cap, upper
20	Fork oil cap, lower
21	Fork oil seal, upper
22	Fork oil seal, lower

Handlebar

Picture No.	Order No.	Designation	Quantity
1	23 42 10 00	Handlebar	1
2	01 42 08 00	Handlebar—stay	1
3	01 42 09 02	Handlebar stay clip	2
4	DIN 125	Washer	4
5	DIN 931	Hexagon screw	4
6	DIN 127	Spring washer	2
7	DIN 931	Hexagon screw	2
8	07 42 16 00	Throttle twist grip, compl.	1
9	02 42 18 00	Twist grip rubber	1
	02 42 17 00	Twist grip tube with rubber	1
	02 42 26 00	Twist grip body, top part	1
	07 42 25 00	Twist grip body, bottom part	1
	07 42 50 00	Twist grip cable steady	1
	02 42 23 00	Oval head screw for twist grip body	2
	07 42 12 00	Brake lever compl.	1
10	07 42 13 00	Brake lever hinge	1
11	07 42 42 00	Brake lever	1
12	02 42 35 00	Lever screw	2
13	DIN 6797	Spring washer	2
14	DIN 934	Hexagon nut	2
15	07 42 61 00	Adjusting nut	2
16	07 42 62 00	Adjusting screw	2
17	07 42 28 00	Oval head screw for brake lever hinge	2
	07 42 14 00	Clutch lever compl.	1
18	07 42 15 00	Clutch lever hinge	1
19	07 42 44 00	Clutch lever	1
20	02 42 24 00	Dummy grip	1

Handlebar

Quantity	Designation	Order No.	Part No.
----------	-------------	-----------	----------



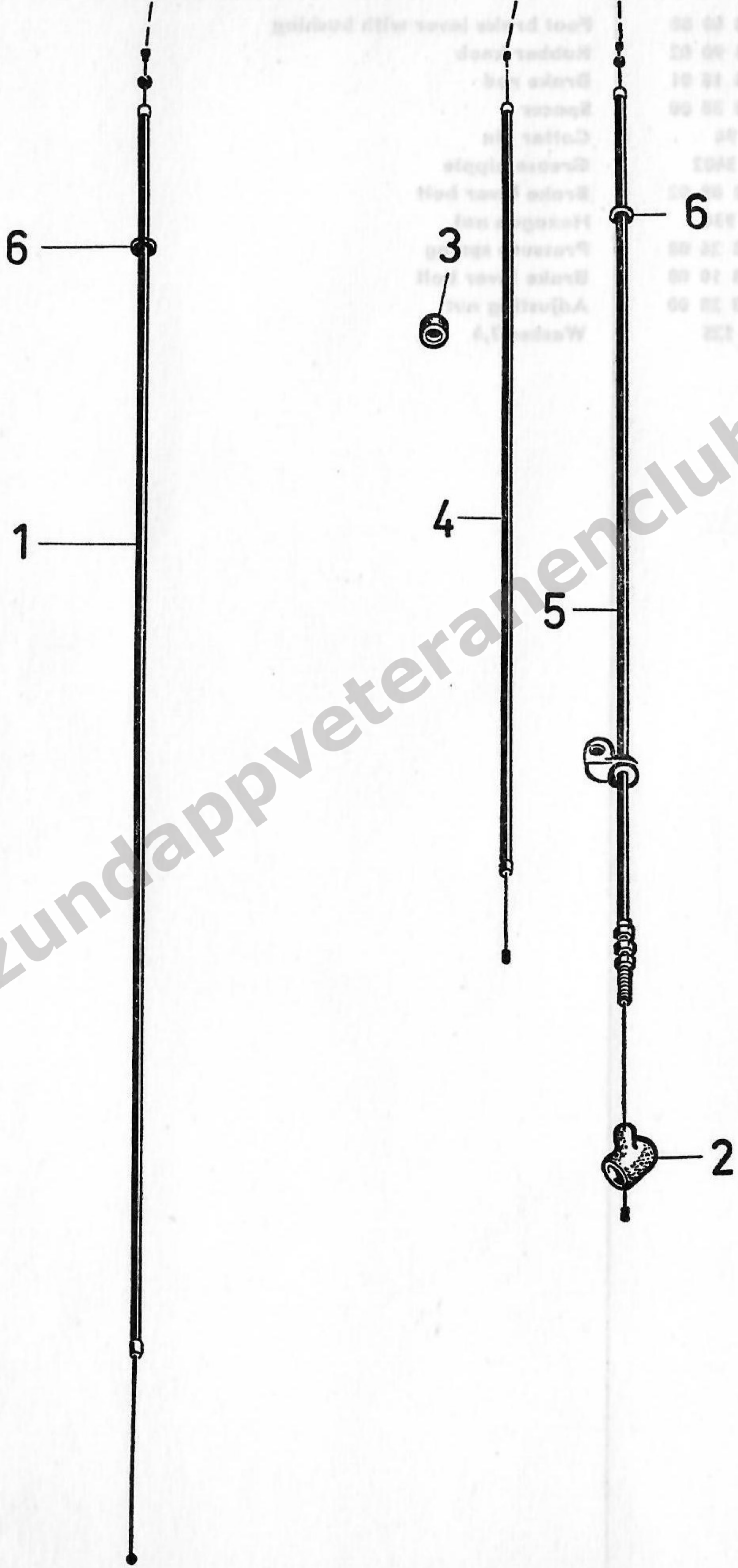
1	Handlebar	01 41 18 00	1
2	Handlebar-grip	01 41 08 00	2
3	Handlebar stay clip	01 41 09 01	3
4	Washer	DIM 133	4
5	Hexagon screw	DIM 031	5
6	Spring washer	DIM 131	6
7	Hexagon screw	DIM 101	7
8	Twisted twist grip comp.	01 41 14 00	8
9	Twist grip rubber	01 41 10 00	9
10	Twist grip tube with rubber	01 41 11 01	10
11	Twist grip body, top part	01 41 24 00	11
12	Twist grip body, bottom part	01 41 25 00	12
13	Twist grip cable steady	01 41 30 00	13
	Old hand screw for twist grip body	01 41 30 00	
	Brake lever comp.	01 41 10 00	
	Brake lever hinge	01 41 10 00	
	Brake lever	01 41 10 00	
	Lever screw	01 41 32 00	
	Spring washer	DIM 131	
	Washer	DIM 031	
	Hexagon screw	01 41 41 00	
	Hexagon screw	01 41 42 00	
	Hexagon screw	01 41 43 00	
	Hexagon screw	01 41 44 00	
	Hexagon screw	01 41 45 00	
	Hexagon screw	01 41 46 00	
	Hexagon screw	01 41 47 00	
	Hexagon screw	01 41 48 00	
	Hexagon screw	01 41 49 00	
	Hexagon screw	01 41 50 00	

www.zundappveteranenclub.nl

Foot brake lever

Picture No.	Order No.	Designation	Quantity
1	07 50 40 00	Foot brake lever with bushing	1
2	01 53 90 02	Rubber knob	1
3	07 53 18 01	Brake rod	1
4	07 53 30 00	Spacer	1
5	DIN 94	Cotter pin	1
7	DIN 3402	Grease nipple	1
8	07 53 09 02	Brake lever bolt	1
9	DIN 934	Hexagon nut	2
10	00 93 26 08	Pressure spring	1
11	07 53 10 00	Brake lever bolt	1
12	07 53 28 00	Adjusting nut	1
13	DIN 125	Washer 7,4	2

www.zundappveteranenclub.nl



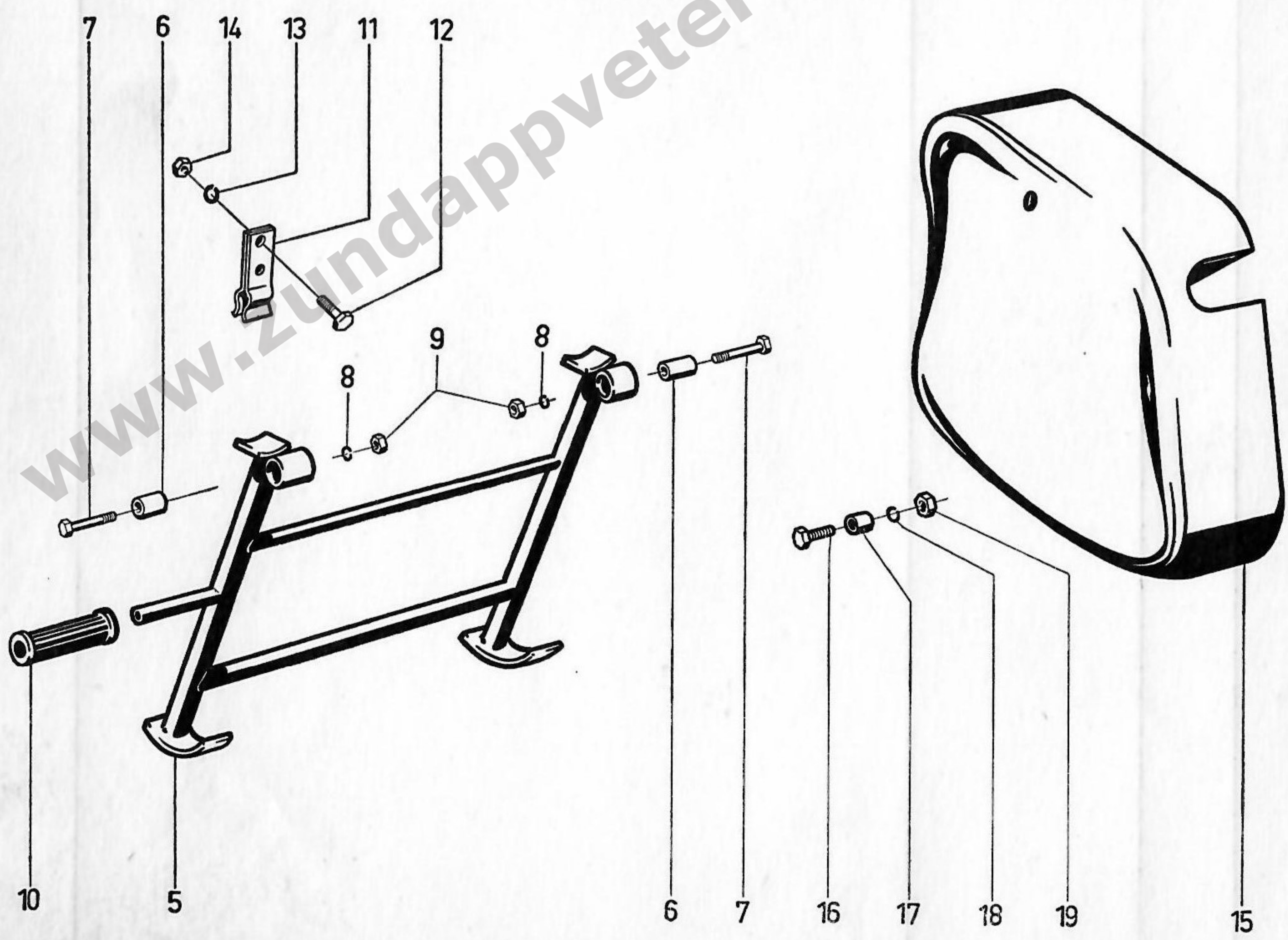
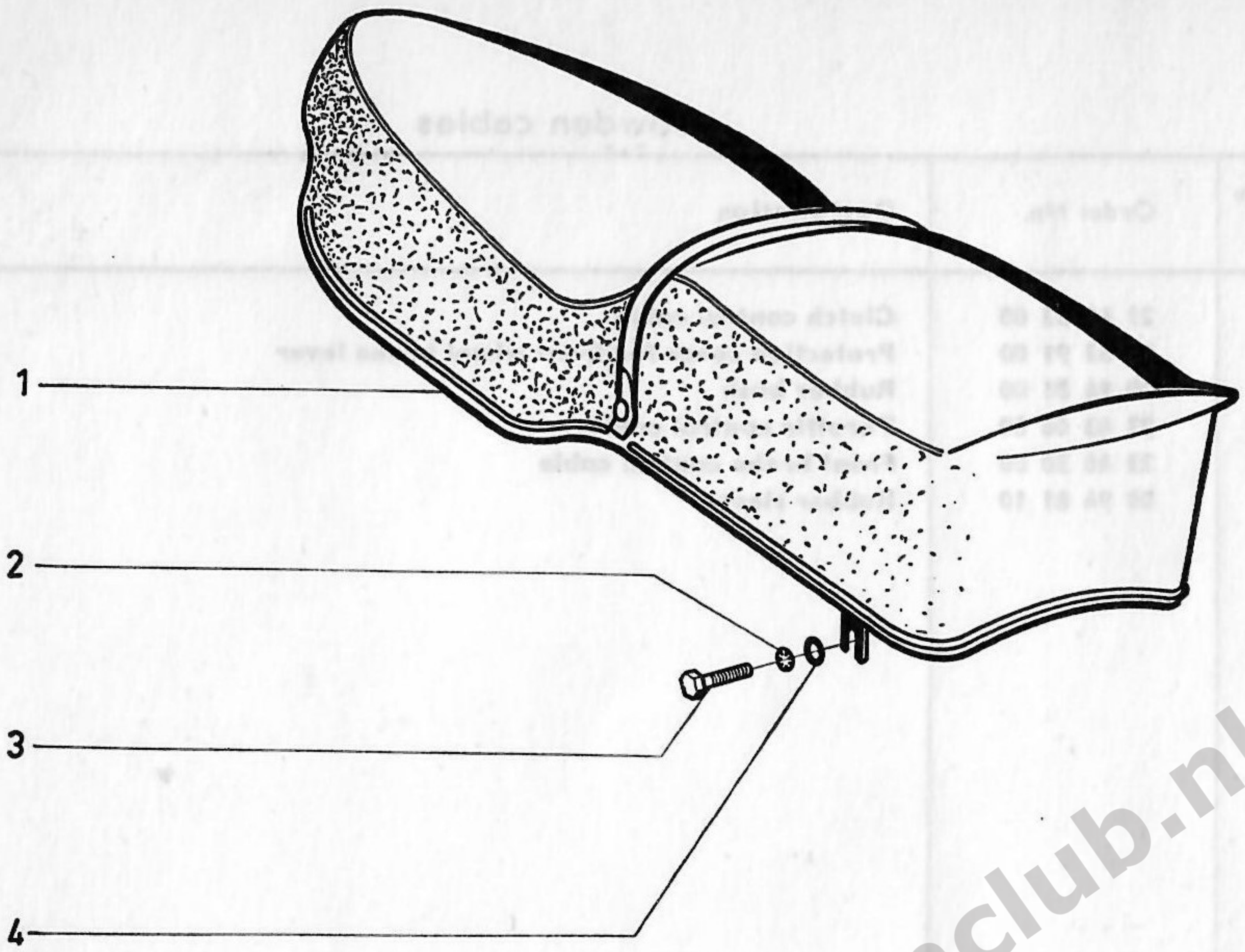
Part No.	Order	Description	Quantity
1	01 22 20 00	Foot brake lever with pawling	1
2	01 22 20 01	Spring	1
3	01 22 20 02	Hook	1
4	01 22 20 03	Foot brake lever with pawling	1
5	01 22 20 04	Spring	1
6	01 22 20 05	Hook	1
7	01 22 20 06	Foot brake lever with pawling	1
8	01 22 20 07	Spring	1
9	01 22 20 08	Hook	1
10	01 22 20 09	Foot brake lever with pawling	1
11	01 22 20 10	Spring	1
12	01 22 20 11	Hook	1
13	01 22 20 12	Foot brake lever with pawling	1
14	01 22 20 13	Spring	1
15	01 22 20 14	Hook	1

www.zundappveteranenclub.nl

Bowden cables

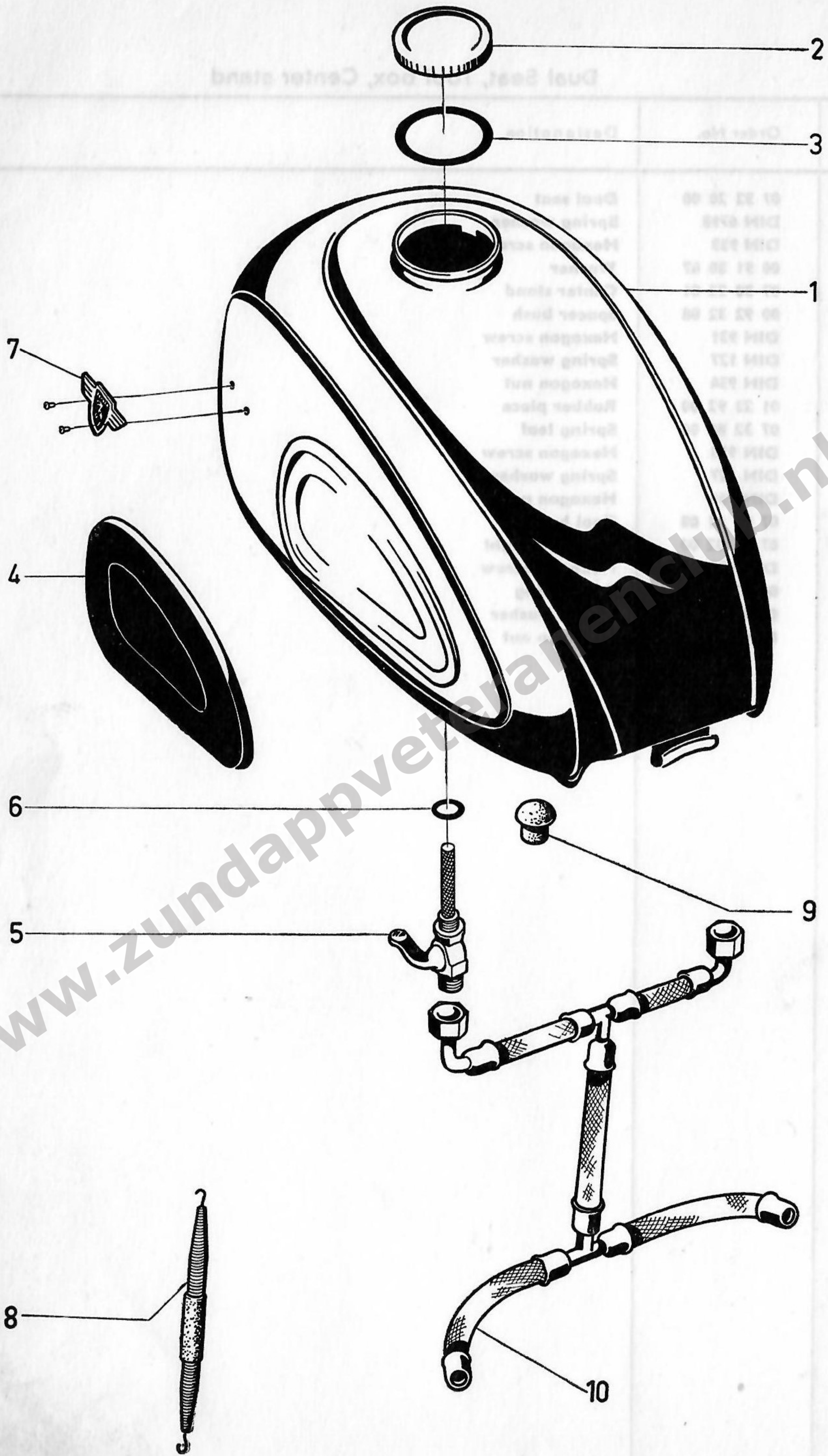
Picture No.	Order No.	Designation	Quantity
1	23 40 32 00	Clutch control cable	1
2	07 53 91 00	Protection cover for front wheel brake lever	1
3	00 94 81 00	Rubber bush	1
4	23 43 06 00	Throttle control cable	2
5	23 40 30 00	Front brake control cable	1
6	00 94 81 10	Rubber sleeve	2

www.zundappveteranenclub.nl



Dual Seat, Tool box, Center stand

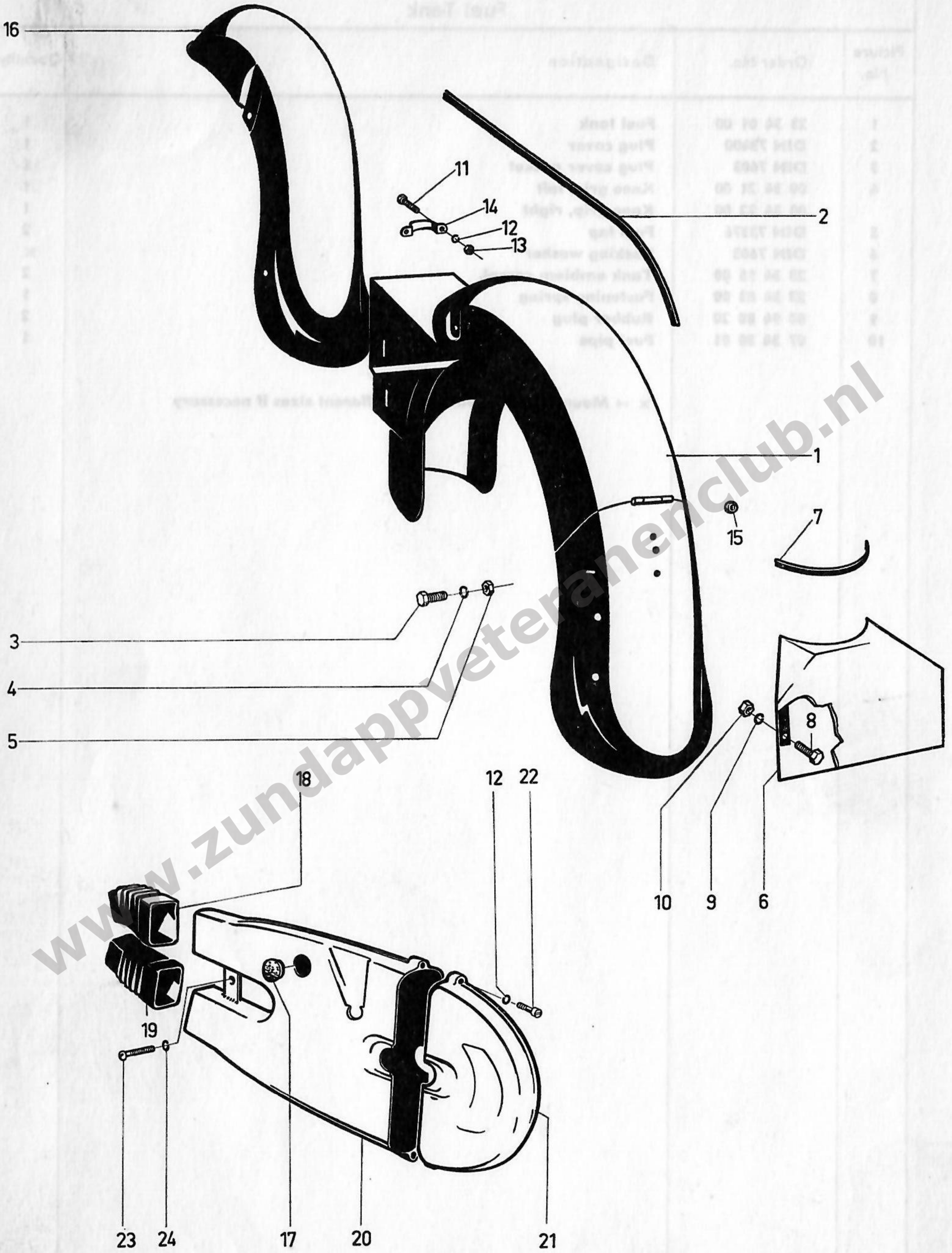
Picture No.	Order No.	Designation	Quantity
1	07 32 20 00	Dual seat	1
2	DIN 6798	Spring washer	2
3	DIN 933	Hexagon screw	2
4	00 91 30 47	Washer	2
5	97 30 22 01	Center stand	1
6	00 92 32 08	Spacer bush	2
7	DIN 931	Hexagon screw	2
8	DIN 127	Spring washer	2
9	DIN 934	Hexagon nut	2
10	01 23 92 00	Rubber piece	1
11	07 32 80 00	Spring leaf	2
12	DIN 933	Hexagon screw	2
13	DIN 127	Spring washer	2
14	DIN 934	Hexagon nut	2
15	07 81 01 00	Tool box, left	1
	07 81 02 00	Tool box, right	1
16	DIN 931	Hexagon screw	7
17	00 92 32 05	Spacer ring	7
18	DIN 127	Spring washer	7
19	DIN 934	Hexagon nut	7



Fuel Tank

Picture No.	Order No.	Designation	Quantity
1	23 34 01 00	Fuel tank	1
2	DIN 73400	Plug cover	1
3	DIN 7603	Plug cover gasket	1
4	00 34 21 00	Knee grip, left	1
	00 34 22 00	Knee grip, right	1
5	DIN 73376	Fuel tap	2
6	DIN 7603	Packing washer	×
7	23 34 15 00	Tank emblem compl.	2
8	23 34 83 00	Fastening spring	1
9	00 94 80 20	Rubber plug	2
10	07 34 30 01	Fuel pipe	1

× = Mount packing washers of different sizes if necessary

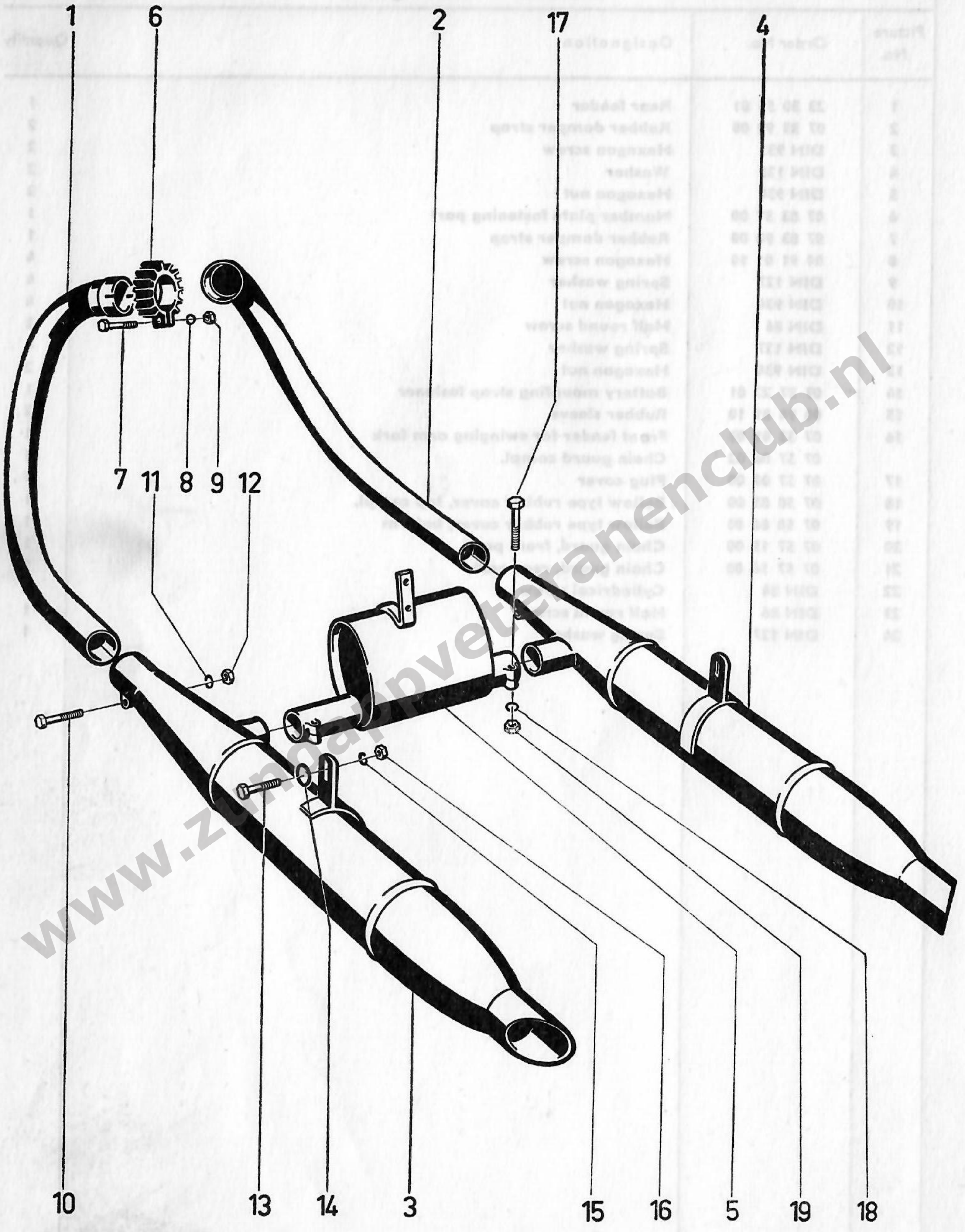


www.zundappveteranenclub.nl

Fenders — Chain guard

Picture No.	Order No.	Designation	Quantity
1	23 30 51 01	Rear fender	1
2	07 33 90 00	Rubber damper strap	2
3	DIN 931	Hexagon screw	2
4	DIN 125	Washer	2
5	DIN 934	Hexagon nut	2
6	07 83 37 00	Number plate fastening part	1
7	07 83 90 00	Rubber damper strap	1
8	00 91 01 10	Hexagon screw	4
9	DIN 127	Spring washer	4
10	DIN 934	Hexagon nut	4
11	DIN 86	Half round screw	2
12	DIN 127	Spring washer	4
13	DIN 934	Hexagon nut	2
14	07 37 22 01	Battery mounting strap fastener	1
15	00 94 81 10	Rubber sleeve	2
16	07 33 01 03	Front fender for swinging arm fork	1
	07 57 06 02	Chain guard compl.	1
17	07 57 08 00	Plug cover	1
18	07 50 85 00	Bellow type rubber cover, top compl.	1
19	07 50 86 00	Bellow type rubber cover, bottom	1
20	07 57 15 00	Chain guard, front part	1
21	07 57 16 00	Chain guard, rear part	1
22	DIN 84	Cylindrical screw	2
23	DIN 86	Half round screw	1
24	DIN 127	Spring washer	1

Fenders — Chain Guide

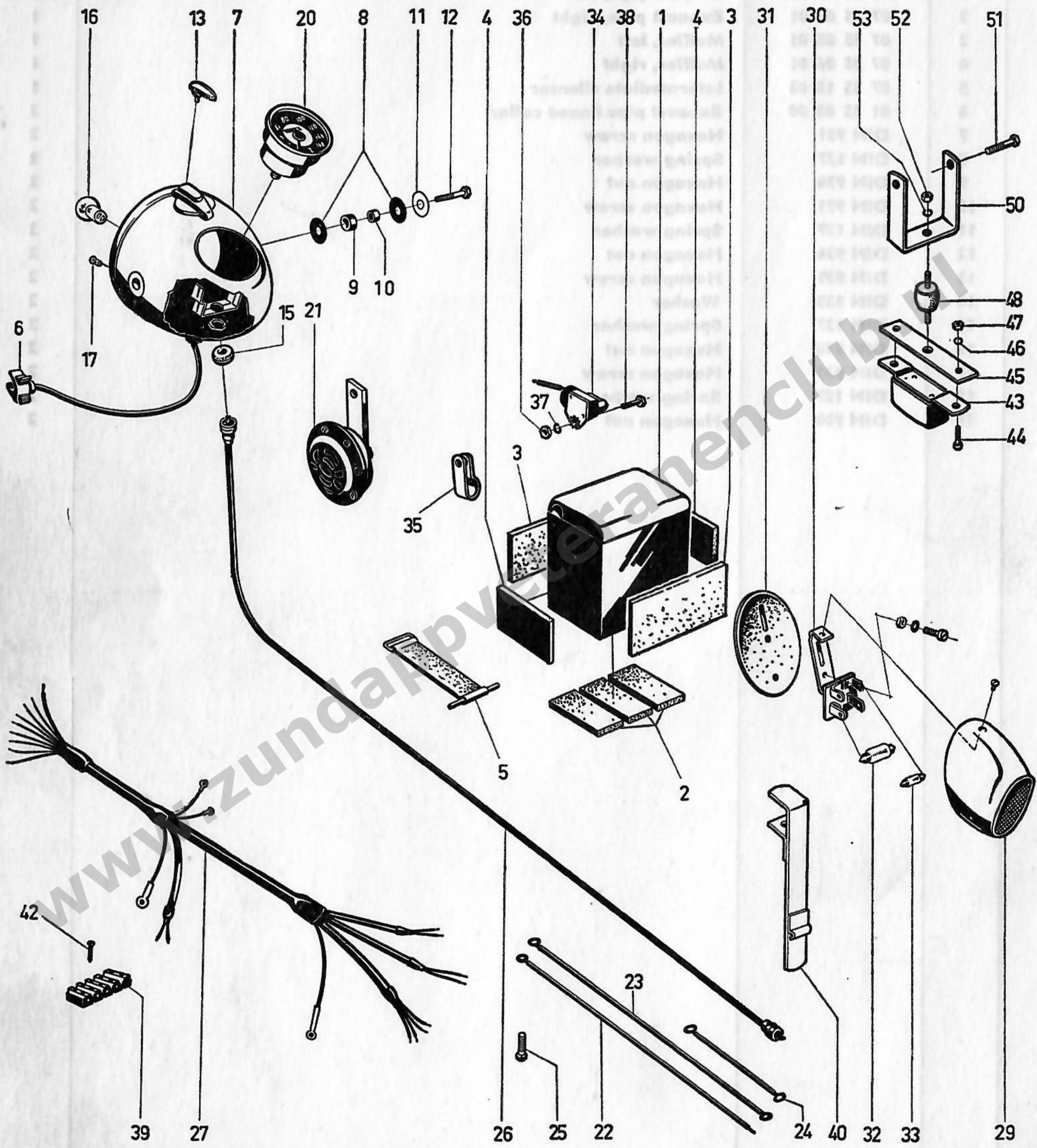


Part No.	Description	Quantity
1	Rear fender	1
2	Rubber damper strap	1
3	Hexagon nut	2
4	Washer	2
5	Hexagon nut	2
6	Chain guide	1
7	Hexagon nut	2
8	Spring washer	2
9	Hexagon nut	2
10	Hexagon nut	2
11	Spring washer	2
12	Hexagon nut	2
13	Hexagon nut	2
14	Hexagon nut	2
15	Spring washer	2
16	Chain guide	1
17	Hexagon nut	1
18	Base plate	1
19	Rubber damper strap	1

Exhaust pipes, mufflers

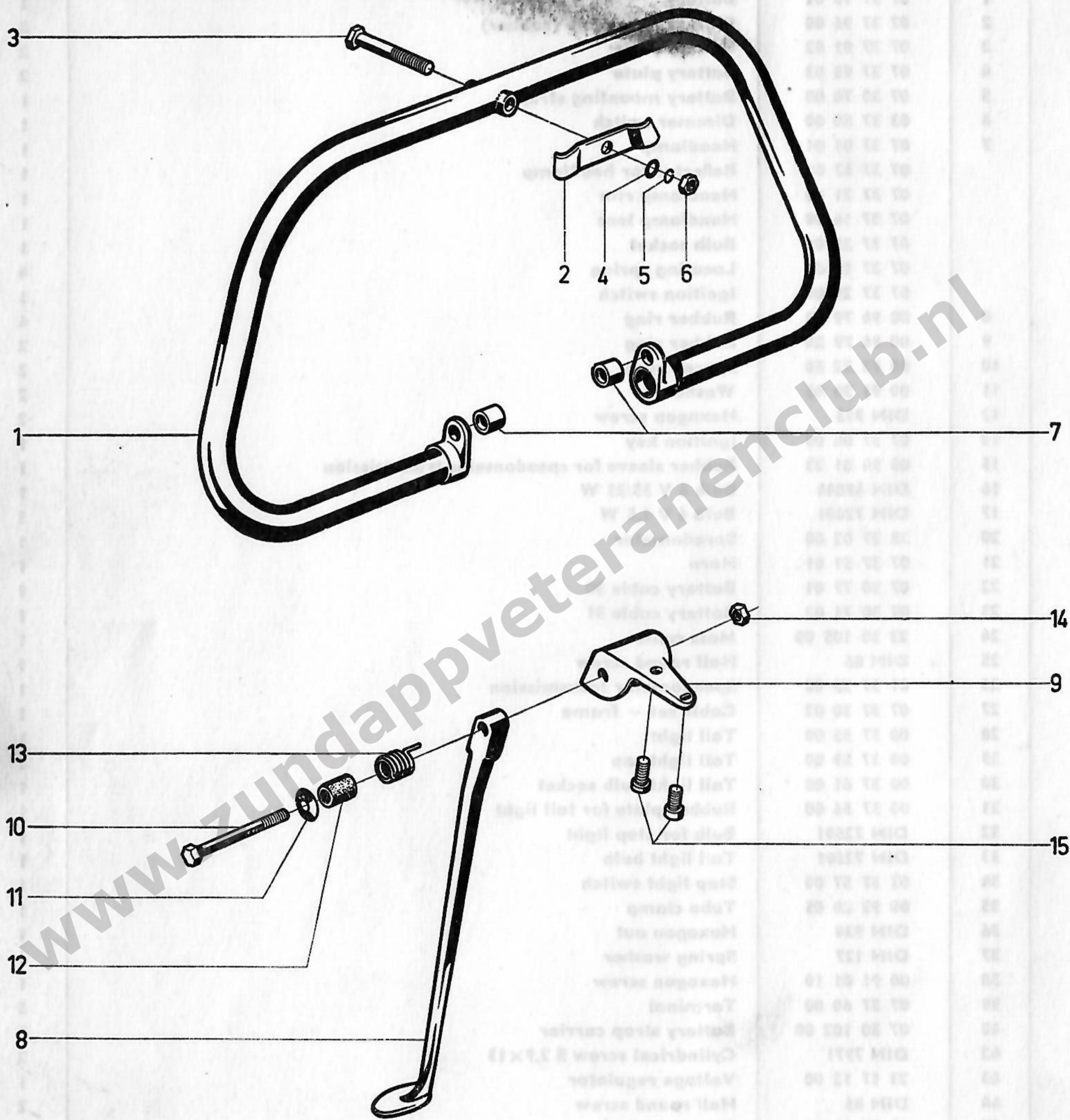
Picture No.	Order No.	Designation	Quantity
1	07 35 01 01	Exhaust pipe, left	1
2	07 35 02 01	Exhaust pipe, right	1
3	07 35 05 01	Muffler, left	1
4	07 35 06 01	Muffler, right	1
5	07 35 15 03	Intermediate silencer	1
6	01 35 03 00	Exhaust pipe finned collar	2
7	DIN 931	Hexagon screw	2
8	DIN 127	Spring washer	2
9	DIN 934	Hexagon nut	2
10	DIN 931	Hexagon screw	2
11	DIN 127	Spring washer	2
12	DIN 934	Hexagon nut	2
13	DIN 931	Hexagon screw	2
14	DIN 125	Washer	2
15	DIN 127	Spring washer	2
16	DIN 934	Hexagon nut	2
17	DIN 931	Hexagon screw	2
18	DIN 127	Spring washer	2
19	DIN 934	Hexagon nut	2

Exhaust pipe, muffler



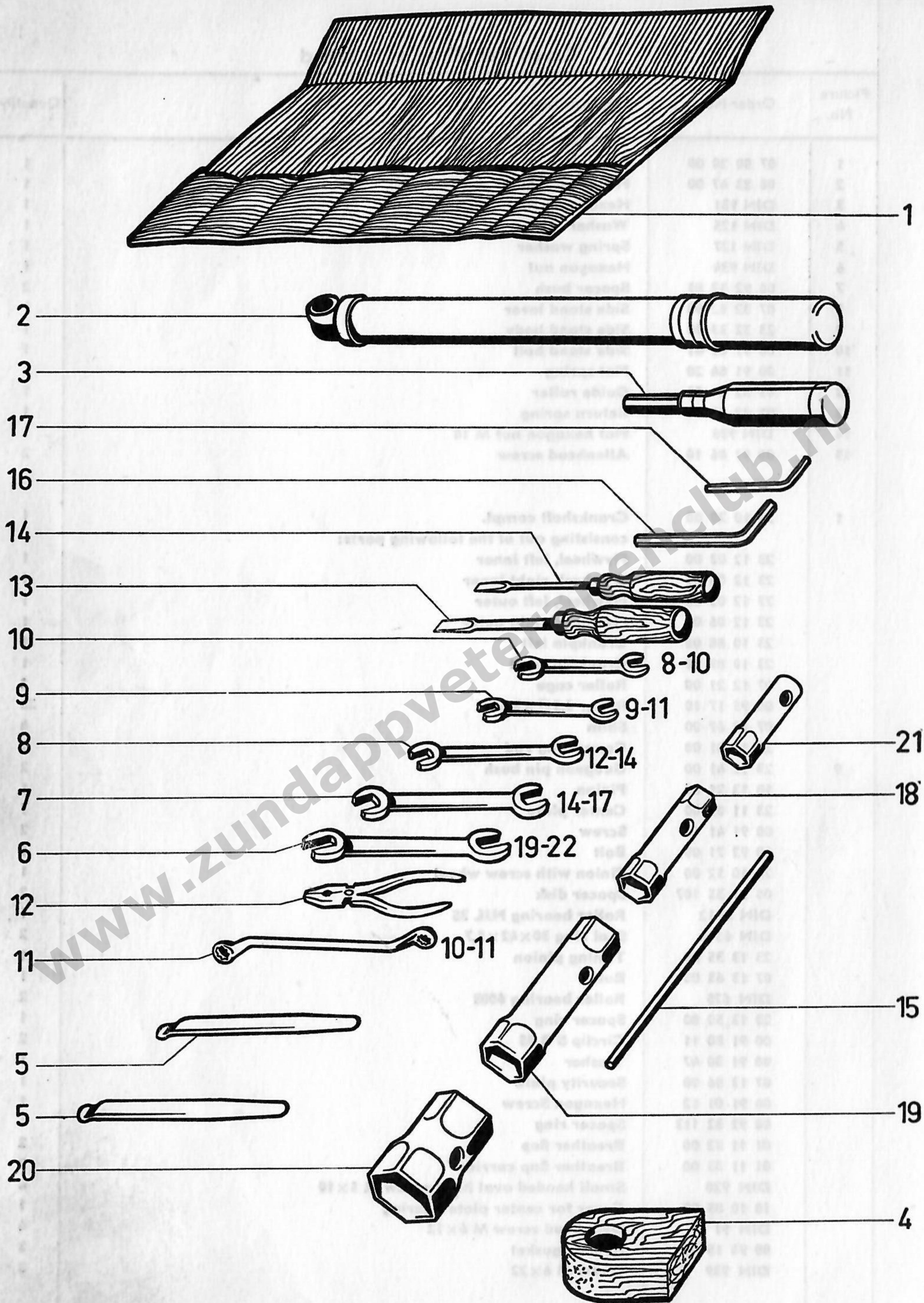
Lighting set

Picture No.	Order No.	Designation	Quantity
1	07 37 10 01	Battery	1
2	07 37 96 00	Battery base plate (rubber)	3
3	07 37 91 02	Battery plate	2
4	07 37 93 02	Battery plate	2
5	07 30 74 00	Battery mounting strap	1
6	03 37 50 00	Dimmer switch	1
7	07 37 01 01	Headlamp	1
	07 37 17 00	Reflector for headlamp	1
	07 37 21 00	Headlamp rim	1
	07 37 16 00	Headlamp lens	1
	07 37 25 00	Bulb socket	1
	07 37 18 00	Locating spring	4
	07 37 29 00	Ignition switch	1
8	00 94 79 23	Rubber ring	4
9	00 94 79 24	Rubber ring	2
10	00 92 32 50	Spacer bush	2
11	00 91 30 46	Washer	2
12	DIN 933	Hexagon screw	2
13	07 37 04 00	Ignition key	1
15	00 94 81 23	Rubber sleeve for speedometer transmission	1
16	DIN 49844	Bulb 6 V 35/35 W	1
17	DIN 72601	Bulb 6 V 1,5 W	3
20	23 37 02 00	Speedometer	1
21	07 37 51 01	Horn	1
22	07 30 77 01	Battery cable 30	1
23	07 30 71 02	Battery cable 31	1
24	23 30 105 00	Mass cable	1
25	DIN 86	Half round screw	1
26	01 57 23 00	Speedometer transmission	1
27	07 37 30 02	Cable set — frame	1
28	00 37 55 00	Tail light	1
29	00 37 59 00	Tail light cap	1
30	00 37 61 00	Tail light bulb socket	1
31	00 37 56 00	Rubber plate for tail light	1
32	DIN 72601	Bulb for stop light	1
33	DIN 72601	Tail light bulb	1
34	07 37 57 00	Stop light switch	1
35	00 93 20 05	Tube clamp	1
36	DIN 934	Hexagon nut	1
37	DIN 127	Spring washer	1
38	00 91 01 10	Hexagon screw	1
39	07 37 60 00	Terminal	5
40	07 30 102 00	Battery strap carrier	1
42	DIN 7971	Cylindrical screw S 2,9 x 13	2
43	23 17 12 00	Voltage regulator	1
44	DIN 86	Half round screw	2
45	07 17 43 00	Fastening flap	1
46	DIN 127	Spring washer	2
47	DIN 934	Hexagon nut	2
48	03 80 10 00	Rubber damper	1
50	07 17 13 60	Fastening bow	1
51	DIN 931	Hexagon screw	1
52	DIN 934	Hexagon nut	3
53	DIN 127	Spring washer	3



Crash bar, Extra side stand

Picture No.	Order No.	Designation	Quantity
1	07 80 20 00	Crash bar	1
2	08 83 47 00	Fastening clip	1
3	DIN 931	Hexagon screw	1
4	DIN 125	Washer	1
5	DIN 127	Spring washer	1
6	DIN 934	Hexagon nut	1
7	00 92 32 89	Spacer bush	2
8	07 32 32 00	Side stand lever	1
9	23 32 33 00	Side stand body	1
10	00 91 03 01	Side stand bolt	1
11	00 91 84 20	Flat spring	1
12	03 32 34 00	Guide roller	1
13	07 32 83 00	Return spring	1
14	DIN 936	Flat hexagon nut M 10	1
15	00 91 06 10	Allenhead screw	2
1	23 10 20 00	Crankshaft compl.	1
		consisting out of the following parts:	
	23 12 03 00	Flywheel, left inner	1
	23 12 04 00	Flywheel, right inner	1
	23 12 05 00	Flywheel, left outer	1
	23 12 06 00	Flywheel, right outer	1
	23 10 88 00	Crankpin left	1
	23 10 89 00	Crankpin right	1
	07 12 21 00	Roller cage	2
	00 95 17 10	Roller 6,5 \varnothing x 8,5 B	26
	07 12 69 00	Shim	4
	23 12 31 00	Connecting rod	2
9	23 12 41 00	Gudgeon pin bush	2
	18 13 21 00	Pinion	1
	23 11 03 00	Center plate	1
	00 91 41 10	Screw	2
	00 92 71 00	Bolt	1
	23 10 52 00	Pinion with screw wheel	1
	00 91 35 107	Spacer disk	2
	DIN 5412	Roller bearing NJL 35	1
	DIN 6504	Seal ring 30x42x5,7	2
	23 13 35 00	Timing pinion	1
	07 13 63 03	Bolt	1
	DIN 625	Roller bearing 6003	2
	23 13 50 00	Spacer ring	1
	00 91 80 11	Circlip S B 35	2
	00 91 30 47	Washer	1
	07 13 86 00	Security plate	1
	00 91 01 12	Hexagon Screw	1
	00 92 32 113	Spacer ring	1
	01 11 32 00	Breather flap	2
	01 11 33 00	Breather flap carrier	2
	DIN 920	Small headed oval head screw M 5x10	4
	18 10 85 00	Cover for center plate bearing	1
	DIN 91	Oval head screw M 6x12	4
	00 94 15 04	Rubber gasket	3
	DIN 939	Screw M 6x22	3



Tools

Picture No.	Order No.	Designation	Quantity
	07 81 03 00	Tool bag, compl.	1
1	00 81 04 00	Tool bag	1
2	00 81 15 01	Tyre pump	1
3	00 81 12 00	Grease gun	1
4	07 81 80 00	Wooden log	1
5	00 81 09 00	Tyre lifter	2
6	DIN 895	Double end spanner 19—22	1
7	DIN 895	Double end spanner 14—17	1
8	DIN 895	Double end spanner 12—14	1
9	DIN 895	Double end spanner 9—11	1
10	DIN 895	Double end spanner 8—10	1
11	DIN 838	Ring spanner 10—11	1
12	DIN 5244	Pliers	1
13	DIN 5269	Screw driver	1
14	DIN 5269	Screw driver	1
15	DIN 900	Tommy bar	1
16	DIN 911	Hexagon box spanner SW 8	1
17	DIN 911	Hexagon box spanner SW 5	1
18	00 81 18 00	Box spanner SW 11—14	1
19	00 81 20 00	Box spanner SW 17—21	1
20	00 81 19 00	Box spanner SW 27—32	1
21	DIN 659	Single box spanner SW 19	1

www.zundappveteranenclub.nl

PRINTED IN GERMANY